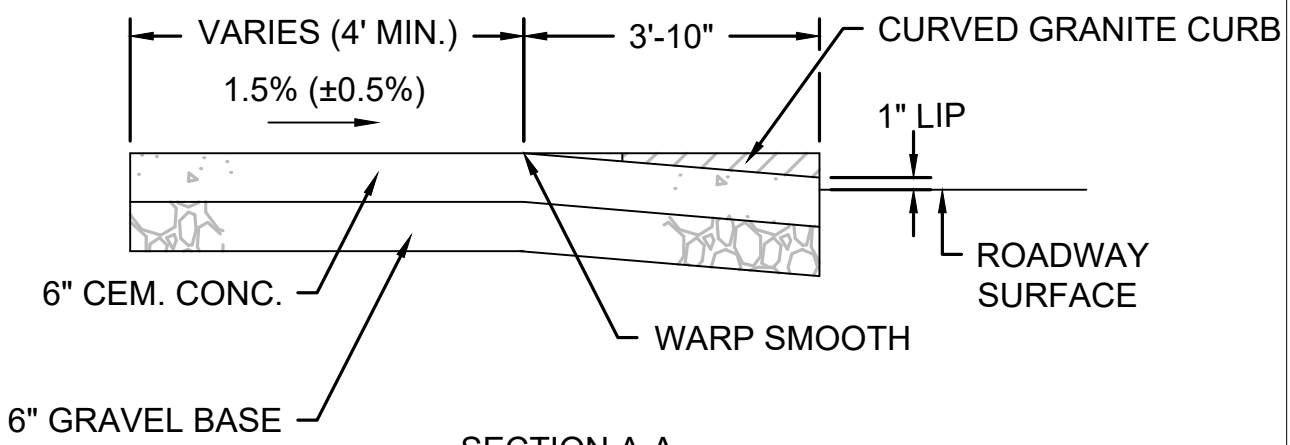
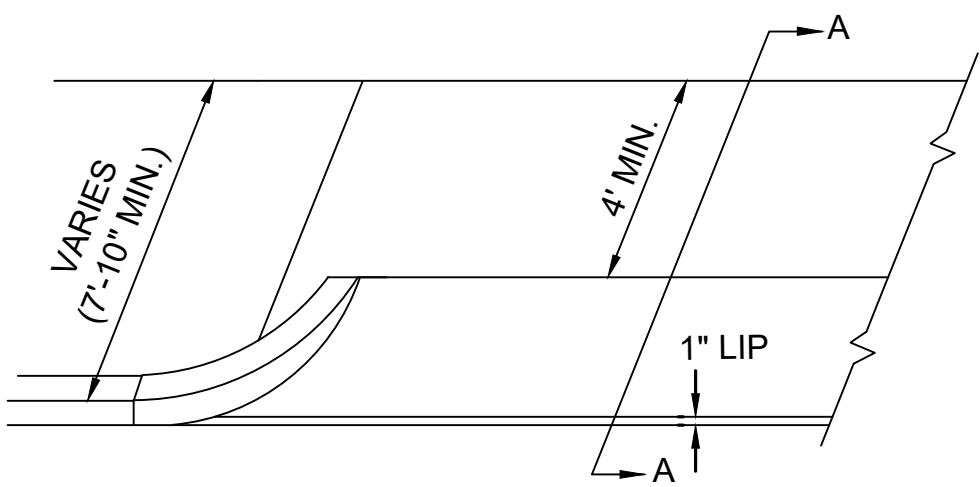


PLAN VIEW

ARC LENGTH = 6'-3 $\frac{1}{2}$ "
 ANGLE = 70°
 CHORD = 6'-10"



SECTION A-A



**Public Works Department
 Engineering Division**
 1 CITY HALL SQUARE, ROOM 710
 BOSTON, MA 02201
 (617) 635-4968

DRIVEWAY - COMMERCIAL

DATE OF ISSUE:
 SEPTEMBER 2018
SCALE: N.T.S.

DETAIL NO.
 D.2