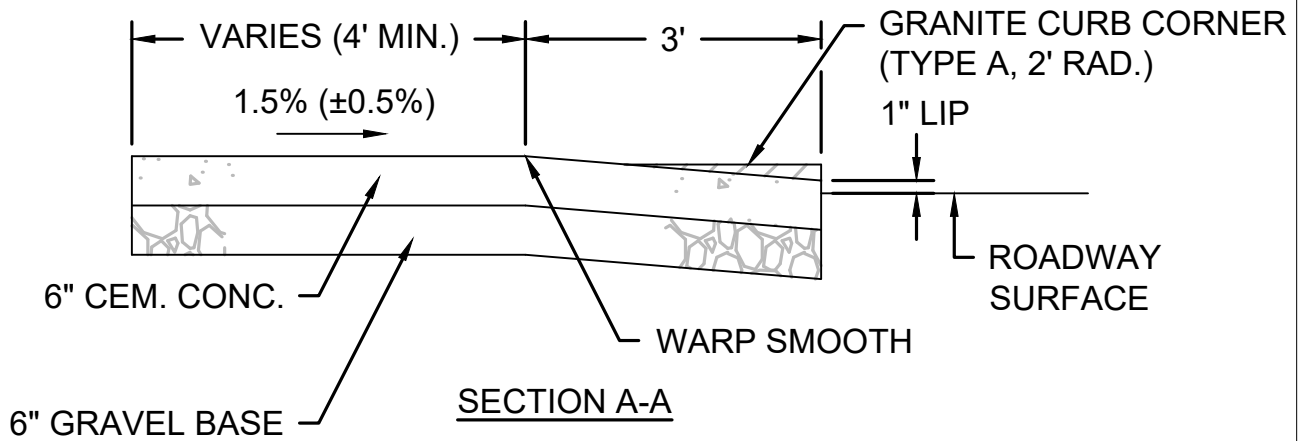
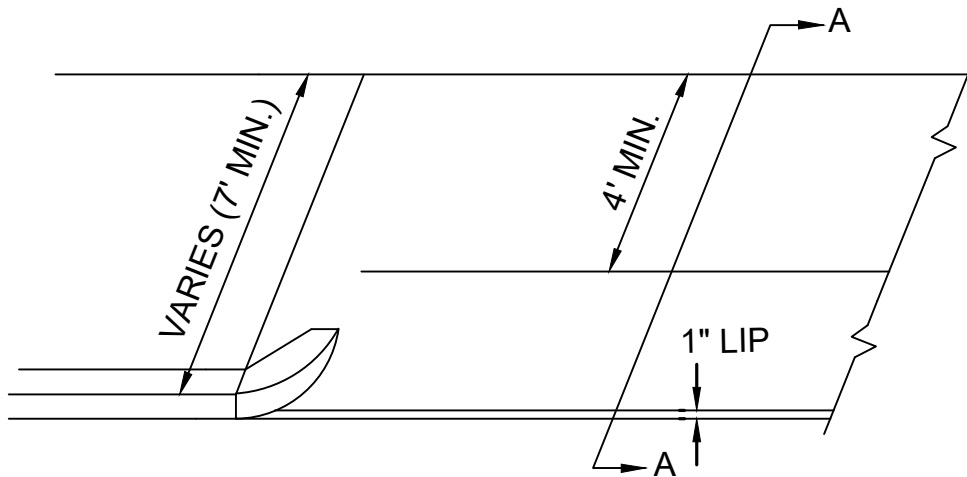


PLAN VIEW



SECTION A-A



**Public Works Department  
Engineering Division**

1 CITY HALL SQUARE, ROOM 710  
BOSTON, MA 02201  
(617) 635-4968

DRIVEWAY - RESIDENTIAL

DATE OF ISSUE:  
SEPTEMBER 2018

SCALE: N.T.S.

DETAIL NO.

D.1