

BOSTON WHARF CO.  
INDUSTRIAL  
REAL ESTATE



GENERAL ELECTRIC



# GE HEADQUARTERS PROJECT

Fort Point Channel Landmark District Commission  
Rehabilitation of 5&6 Necco Court

October 31, 2016

Gensler

# Agenda

- 1. Glass Enclosure North Facade Opacity**
- 2. Glass Enclosure Interior**
- 3. New Windows at South and West Facades**



# GLASS ENCLOSURE NORTH FACADE OPACITY



# BRICK BUILDINGS **GLASS ENCLOSURE - ENTRY FROM GE PLAZA**



# BRICK BUILDINGS NORTH FACADE - AS PRESENTED ON 09.29.2016



1. “Acid Etched” glass windows in crawl/mechanical space
2. Rehabilitation of connecting bridge
3. Rehabilitation of wooden doors and windows
4. New solid metal doors
5. New glass enclosure between buildings
6. New mechanical penthouse with perforated metal panel screening
7. New transformer enclosure
8. New windows in existing openings

## BRICK BUILDINGS NORTH FACADE - CURRENT DESIGN



1. New glass enclosure between buildings
2. Rehabilitation of connecting bridge

# BRICK BUILDINGS GLASS ENCLOSURE WEST ELEVATION

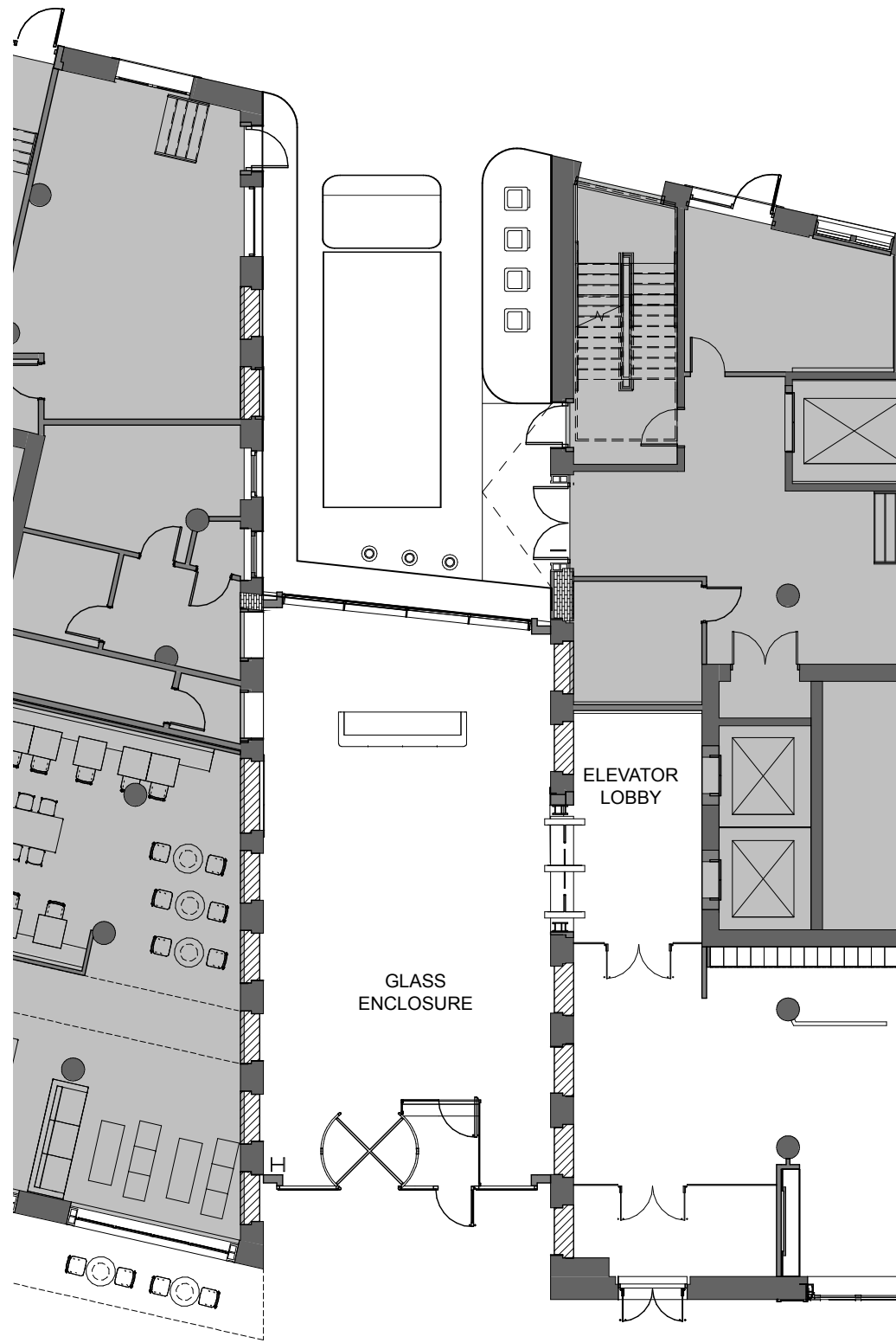


# GLASS ENCLOSURE INTERIOR

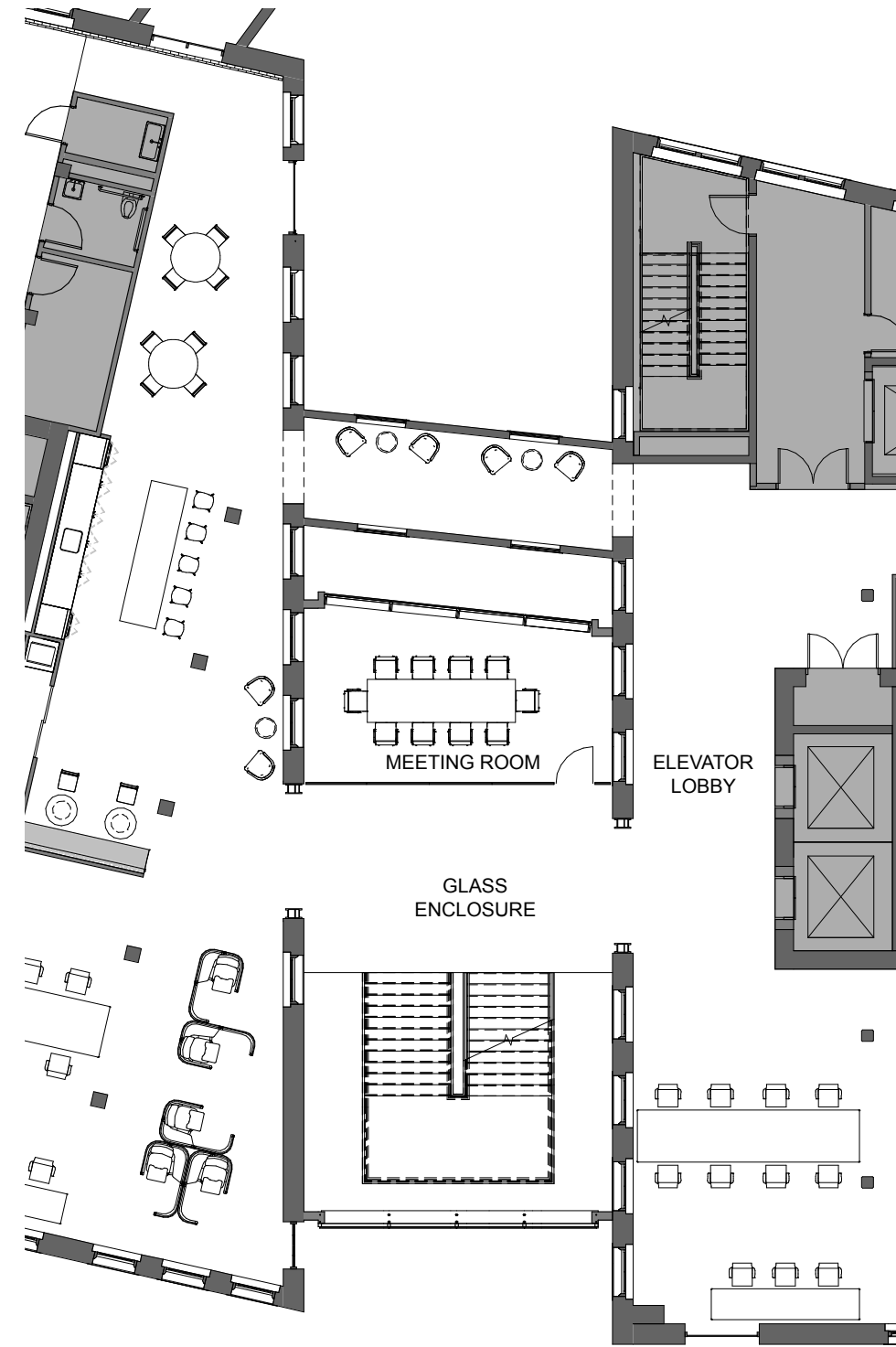




# GLASS ENCLOSURE PLANS



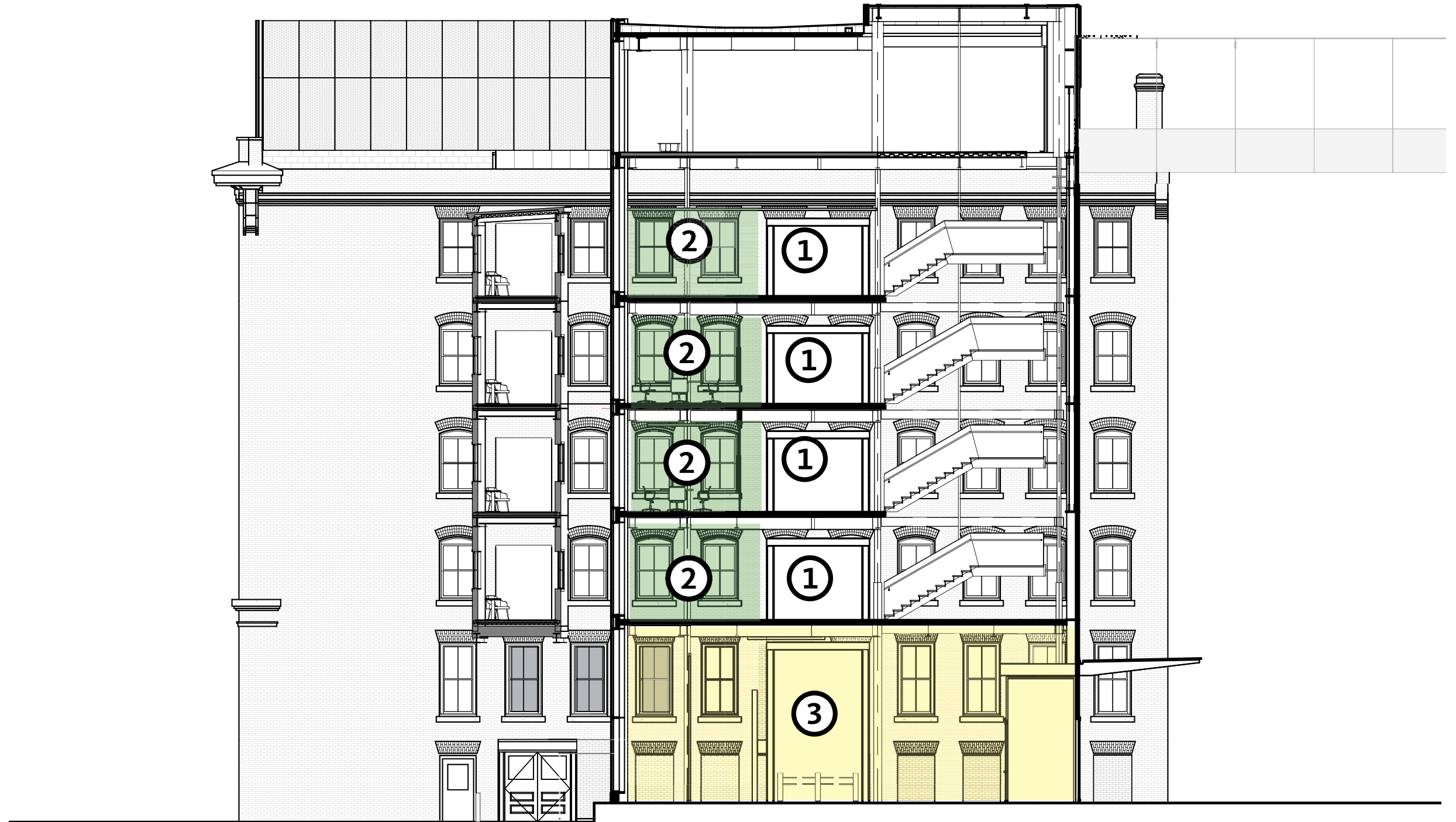
**LEVEL 01**



**TYPICAL FLOOR**

# BRICK BUILDINGS GLASS ENCLOSURE WEST ELEVATION

1. New masonry openings
2. Meeting rooms
3. Lobby



# BRICK BUILDINGS GLASS ENCLOSURE EAST ELEVATION

1. New masonry openings
2. Meeting rooms
3. Lobby



# BRICK BUILDINGS GLASS ENCLOSURE - FIRST FLOOR LOBBY



# BRICK BUILDINGS GLASS ENCLOSURE - TYPICAL FLOOR TOWARDS G3



# BRICK BUILDINGS **GLASS ENCLOSURE - TYPICAL FLOOR TOWARDS CONNECTOR BRIDGE**



## NEW WINDOWS AT SOUTH AND WEST FACADES



# BRICK BUILDINGS EXISTING SOUTH ELEVATION



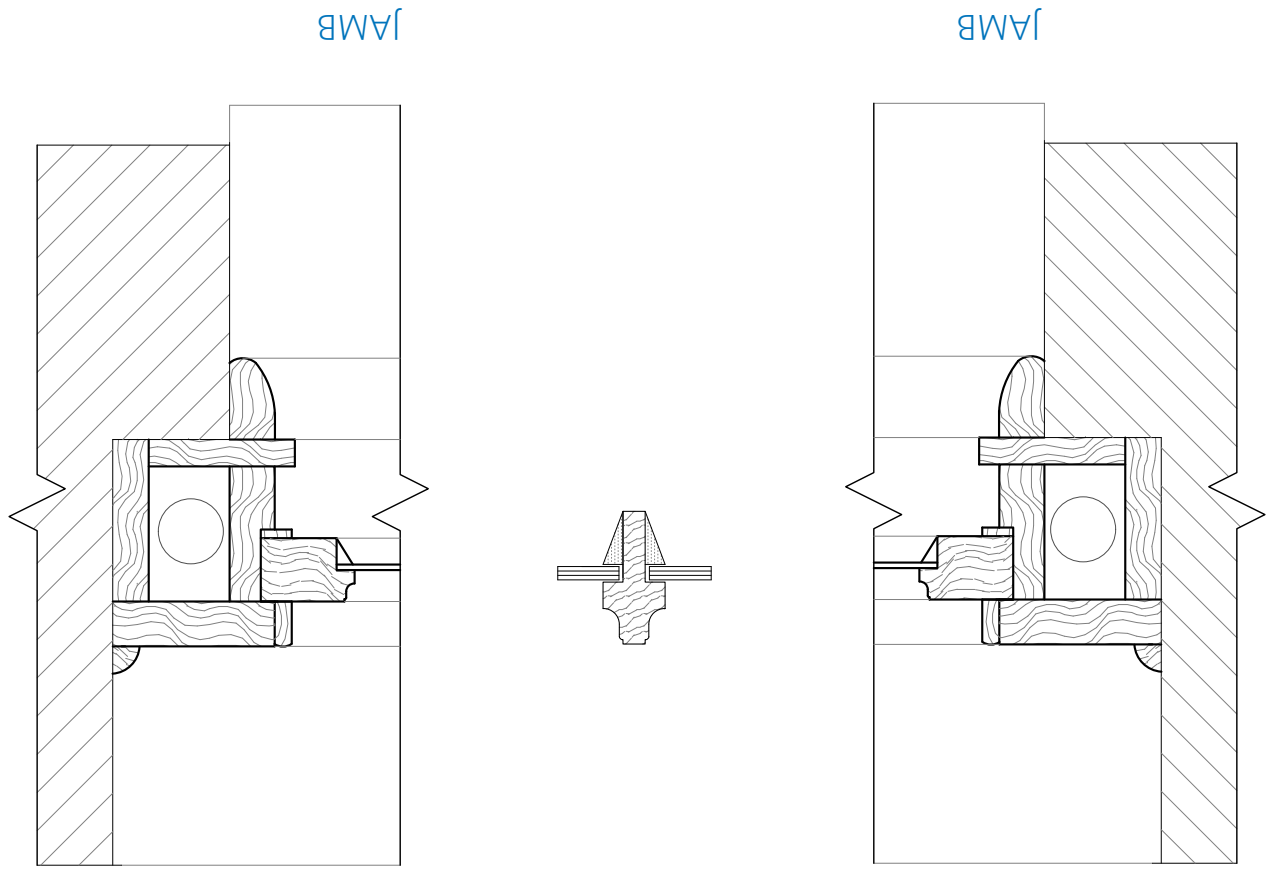
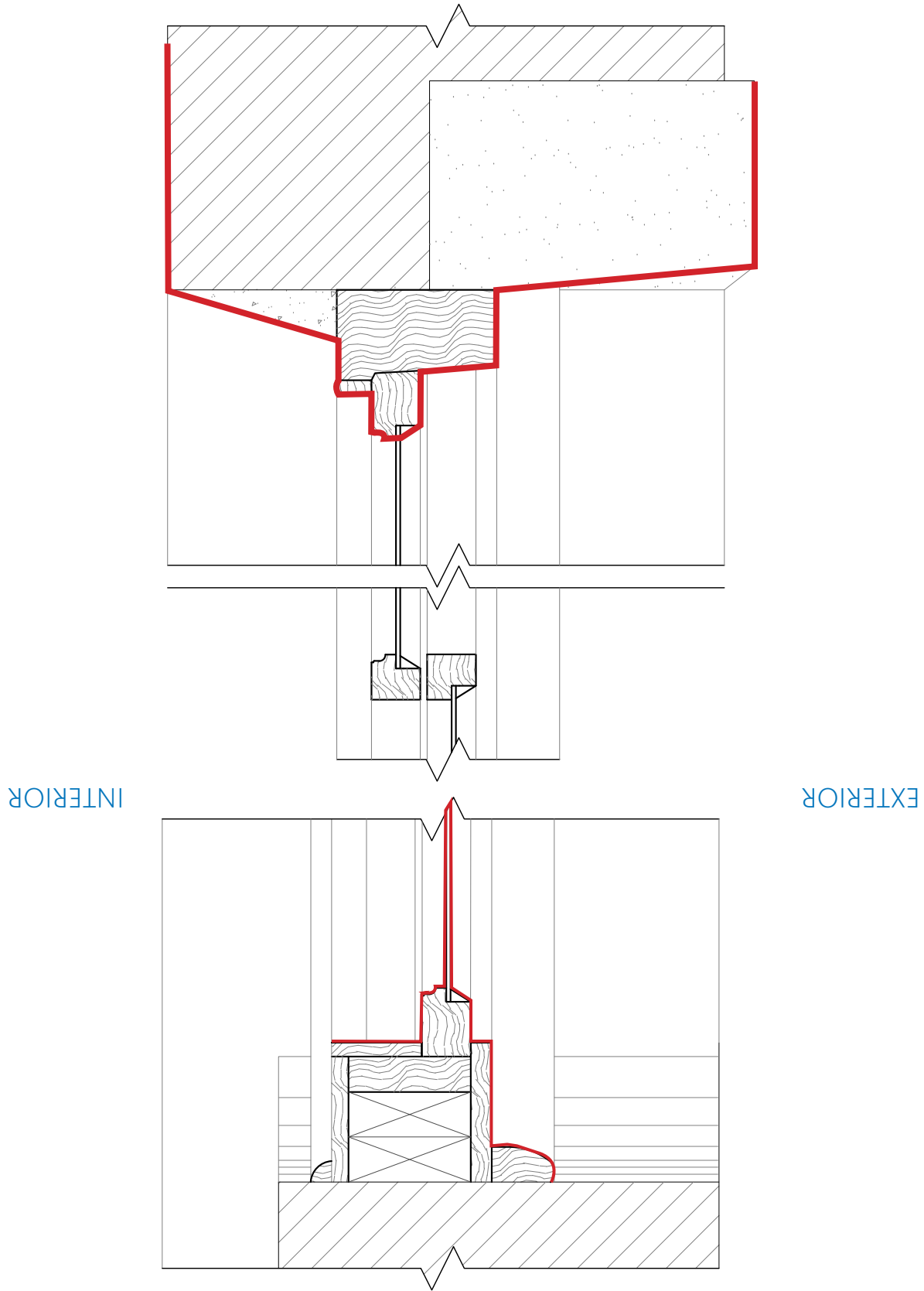


# BRICK BUILDINGS SOUTH ELEVATION

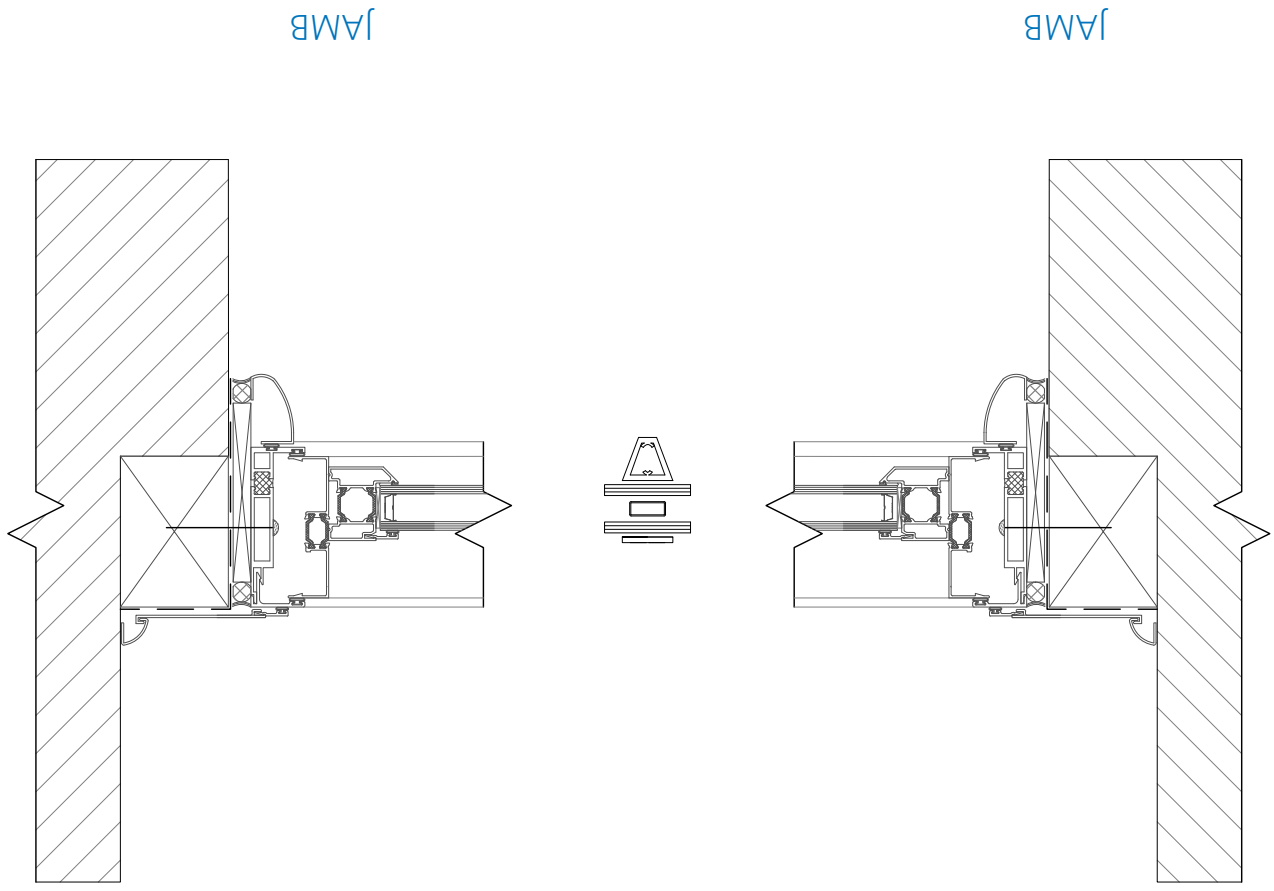
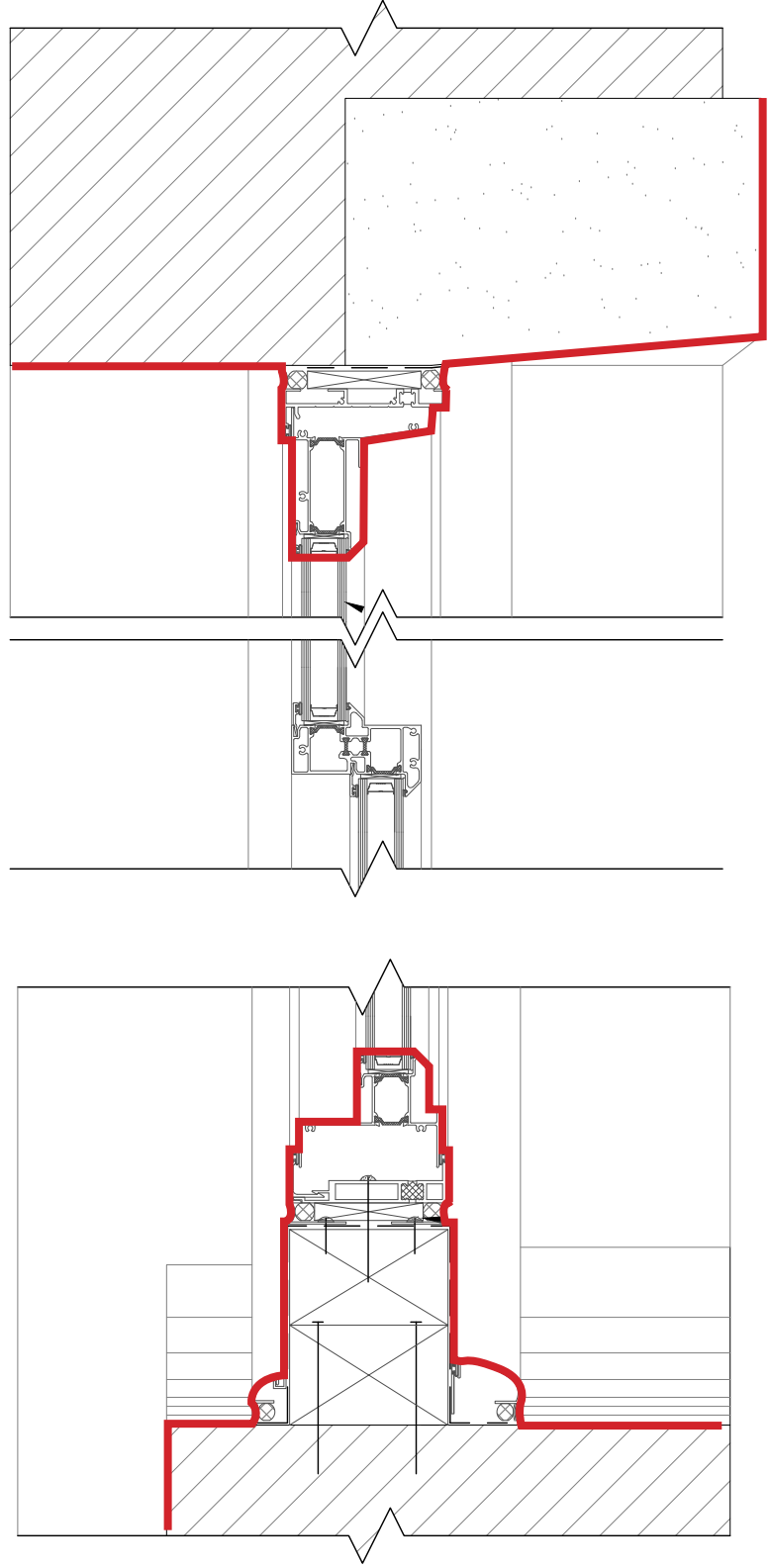
1. New windows
2. Glass enclosure



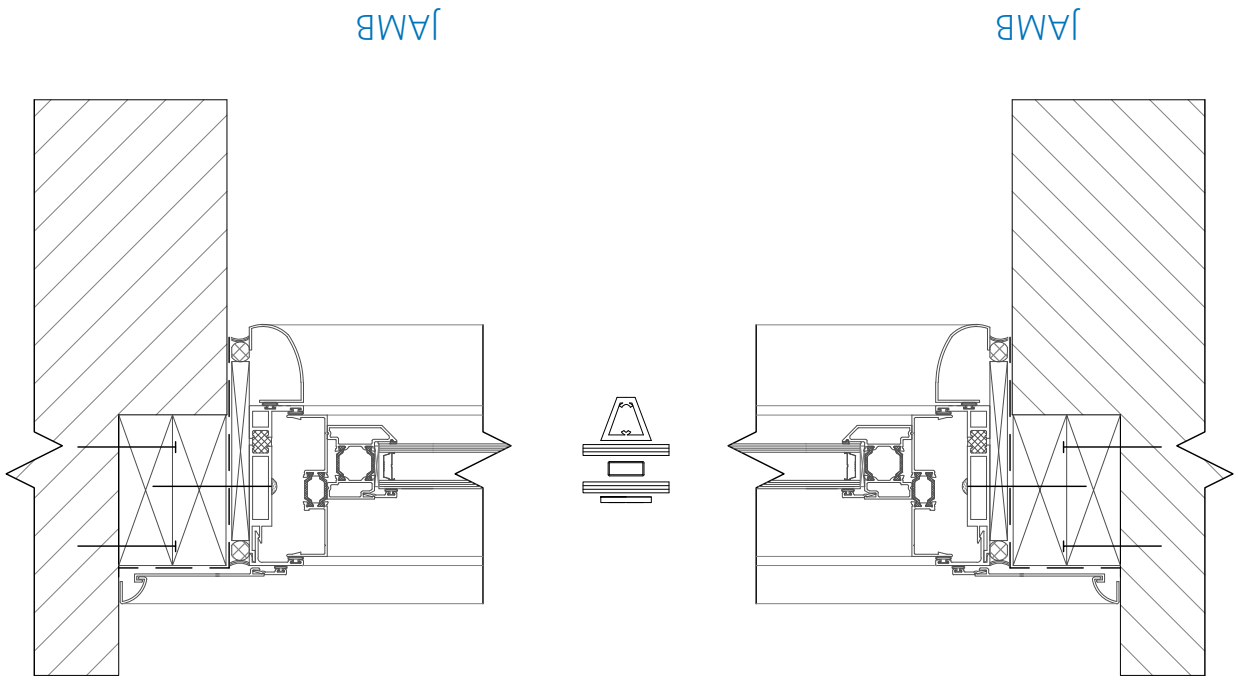
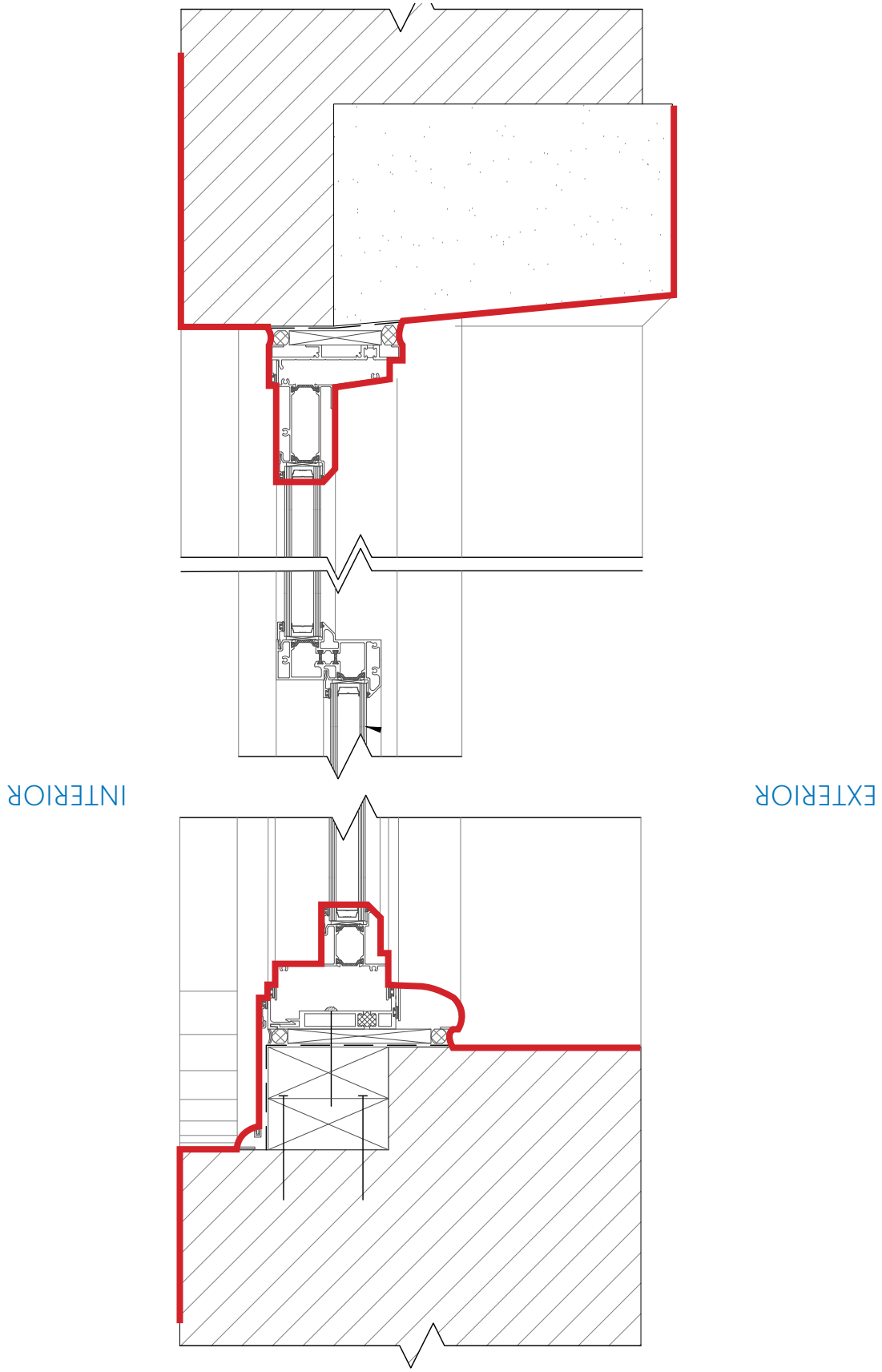
# BRICK BUILDINGS SOUTH ELEVATION - HISTORIC WINDOWS



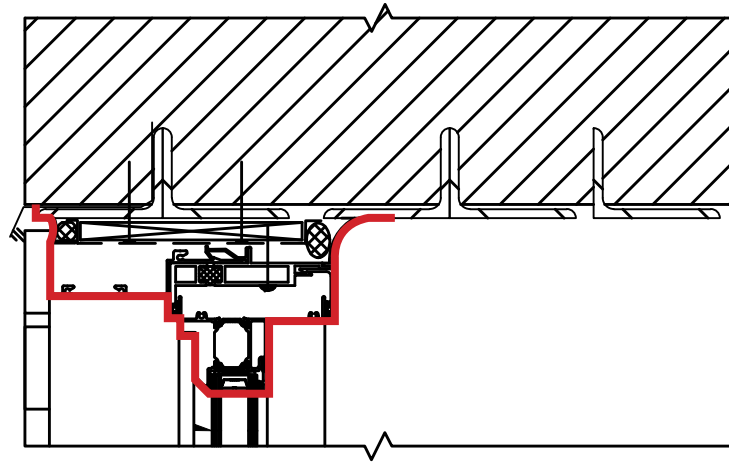
# REPLACEMENT WINDOW AT ARCHED OPENING



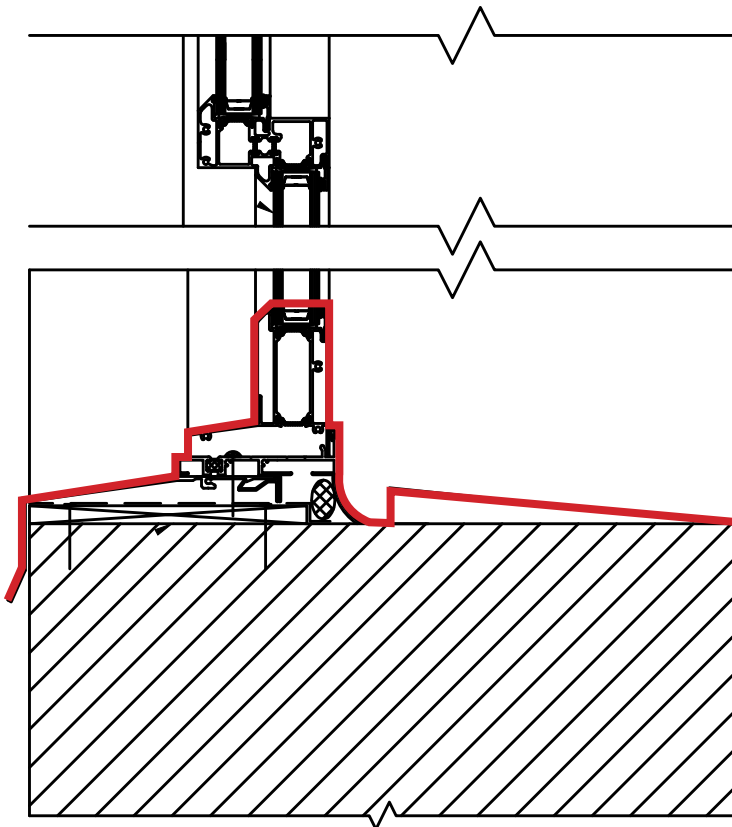
# REPLACEMENT WINDOW AT EXISTING STEEL LINTEL



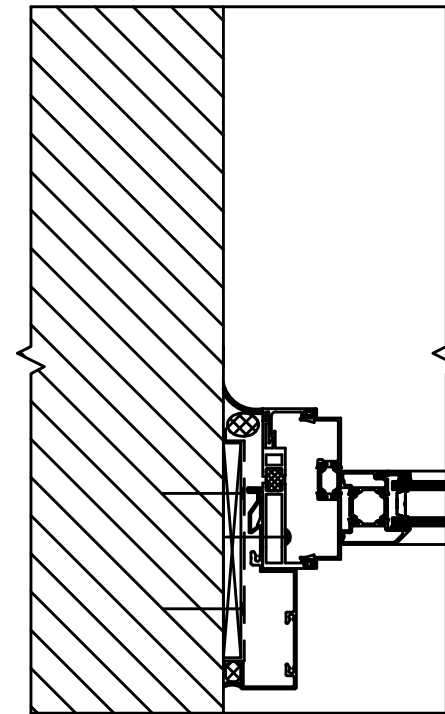
# NEW WINDOW WITH STEEL LINTEL



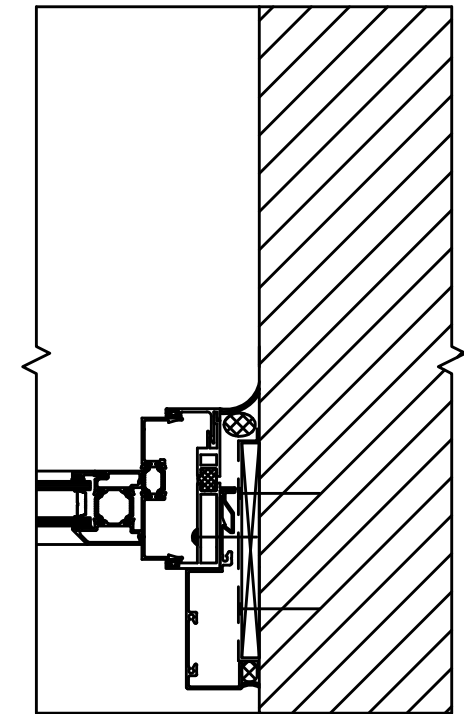
EXTERIOR



INTERIOR

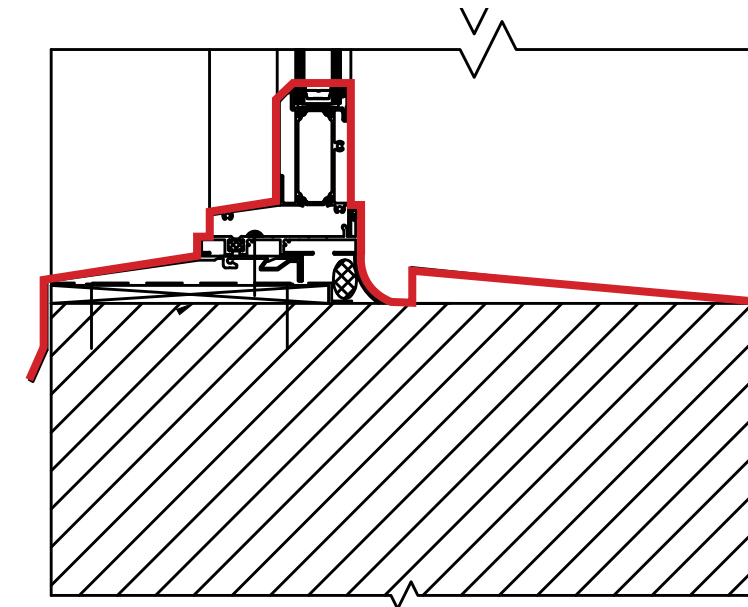
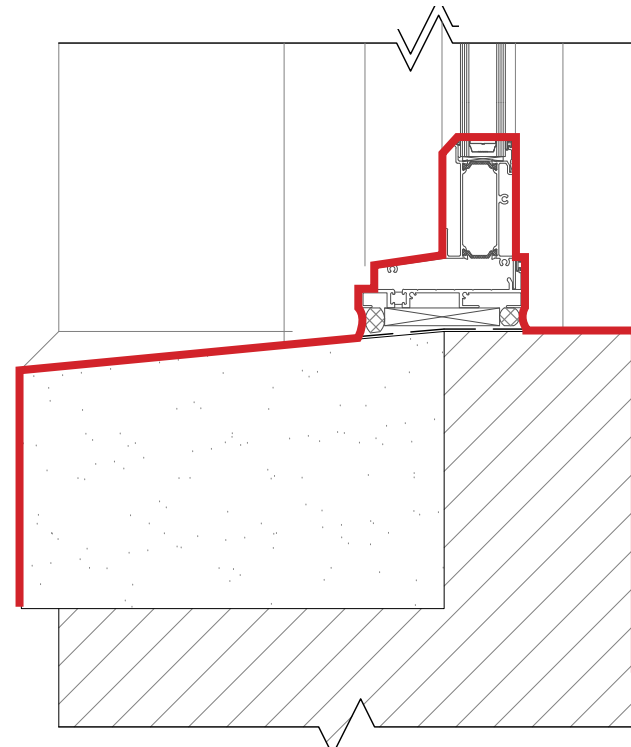
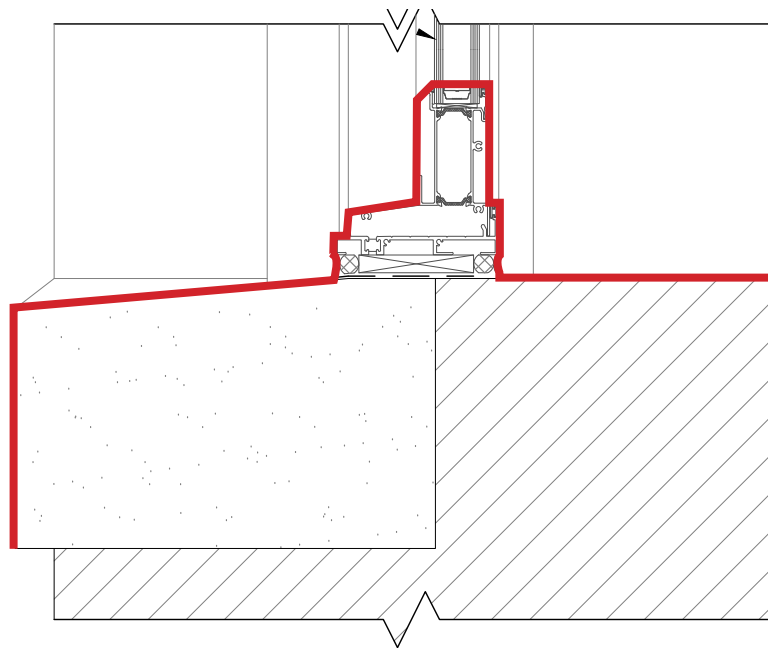
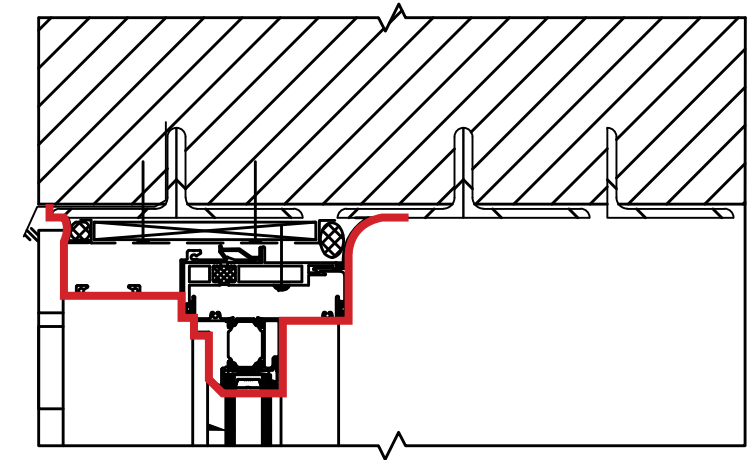
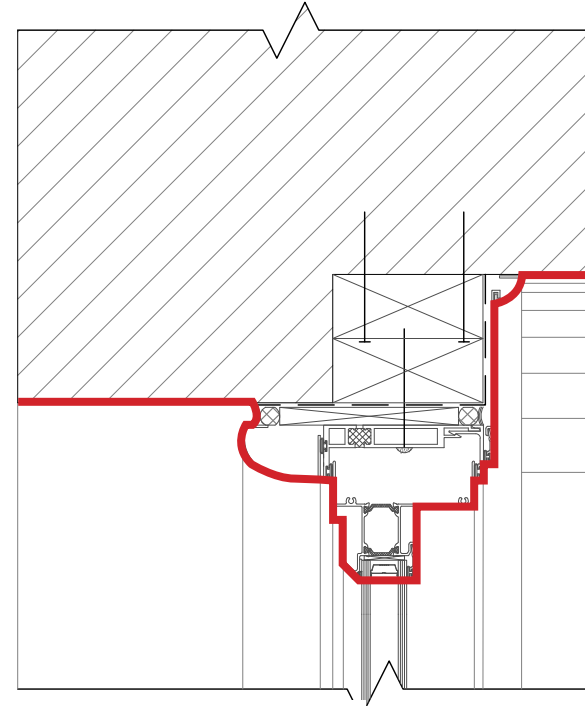
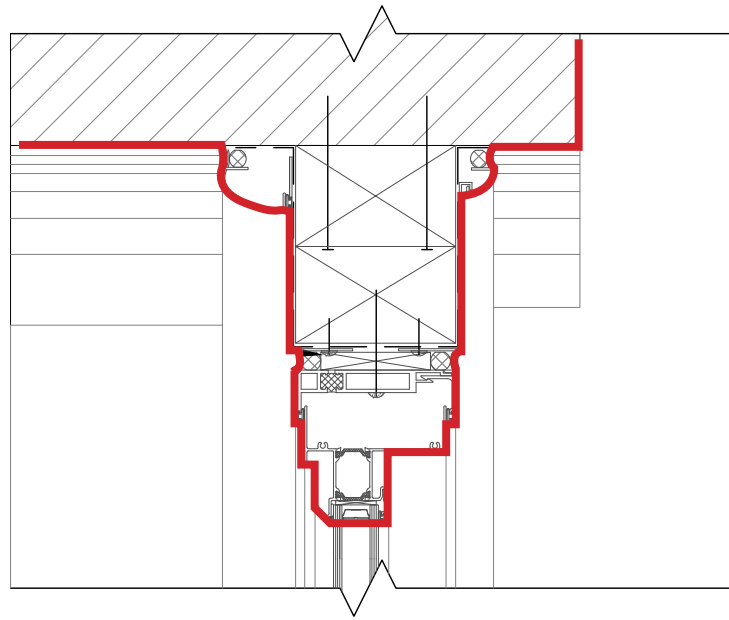


JAMB



JAMB

# WINDOWS DETAILS



**EXISTING WITH ARCHED LINTEL**

**EXISTING WITH FLAT LINTEL**

**NEW WITH FLAT LINTEL**

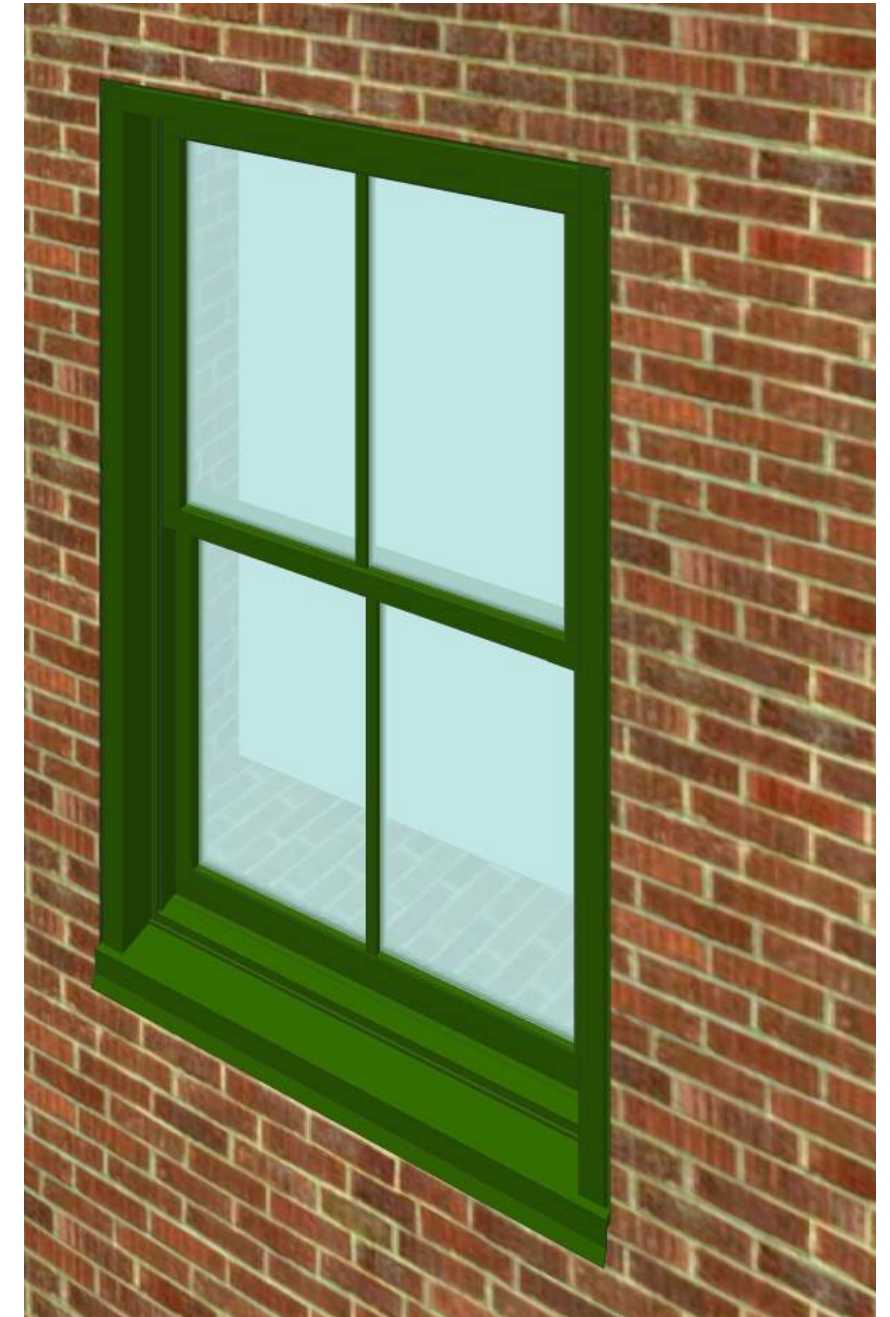
# WINDOWS VIEWS



**EXISTING WITH ARCHED LINTEL**



**EXISTING WITH FLAT LINTEL**



**NEW WITH FLAT LINTEL**

# THANK YOU

