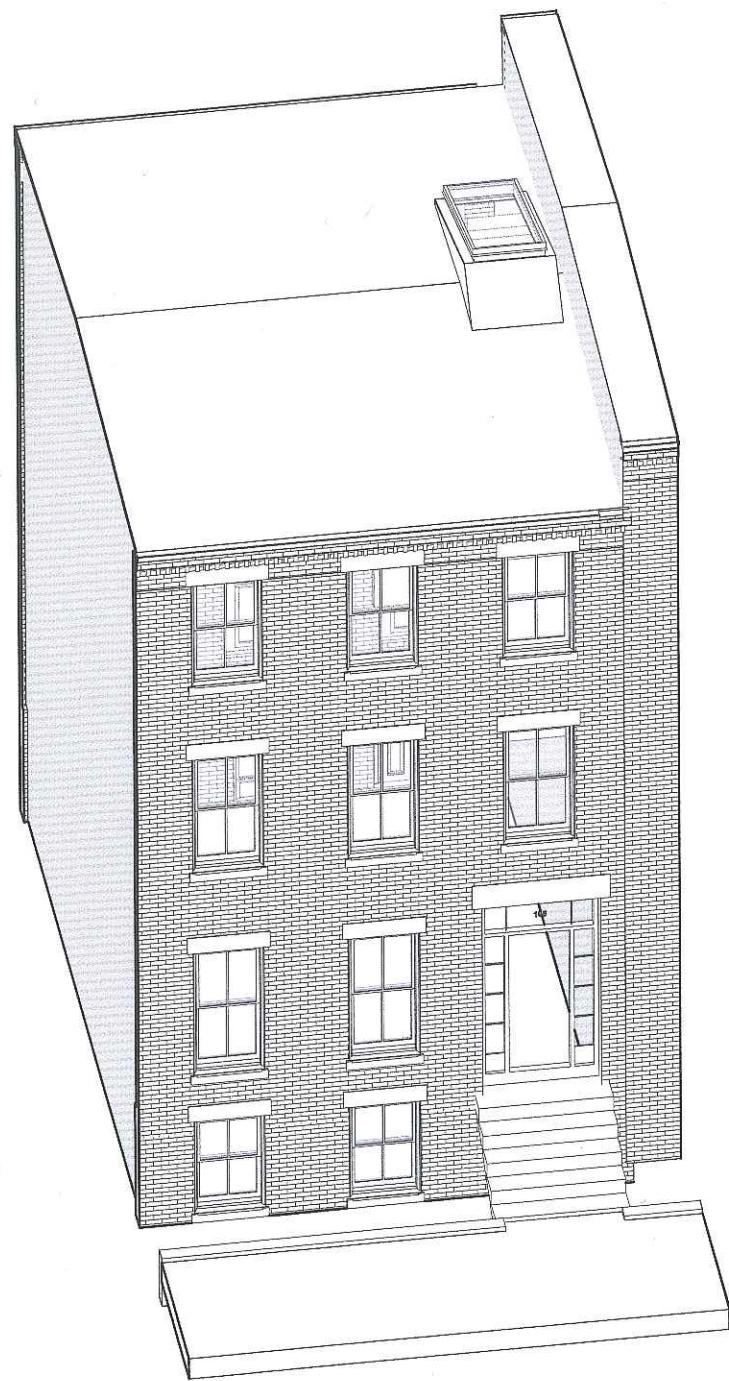


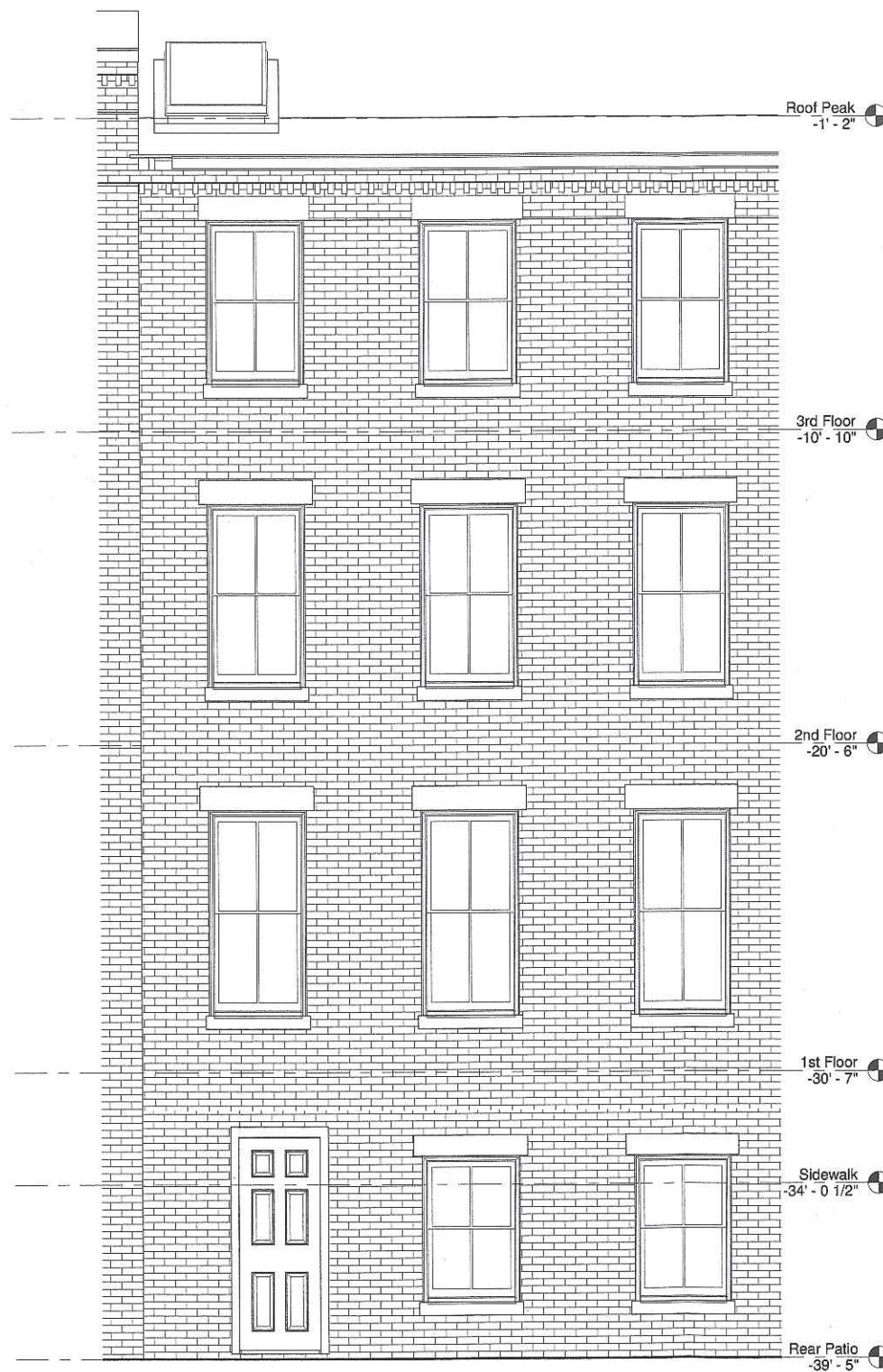
kunzarch.com

**Kunz Associates**

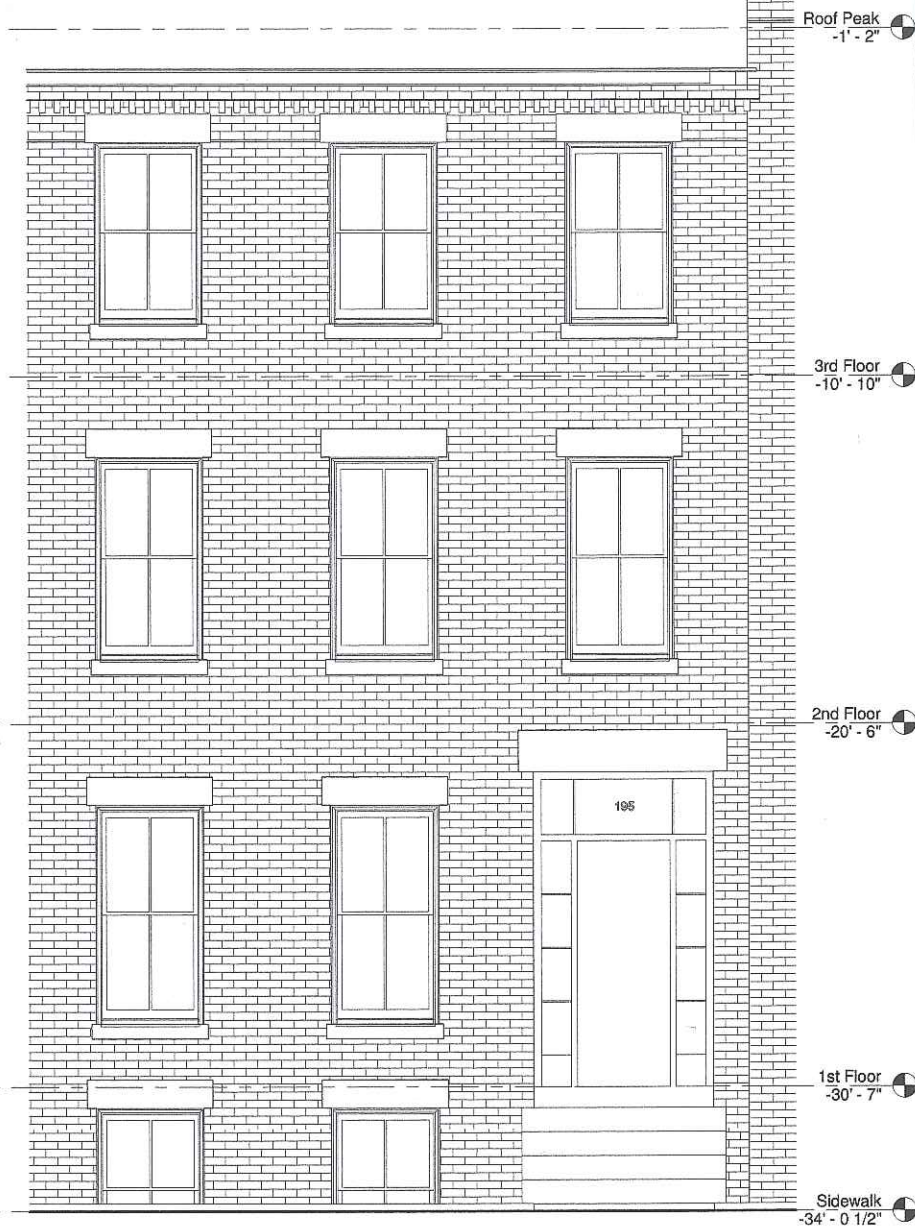
38 GREENWICH PARK  
 BOSTON, MASSACHUSETTS 02118  
 kunzarch@verizon.net  
 617-267-1482



③ View from West



② East Elevation REAR  
 3/8" = 1'-0"



① West Elevation  
 3/8" = 1'-0"

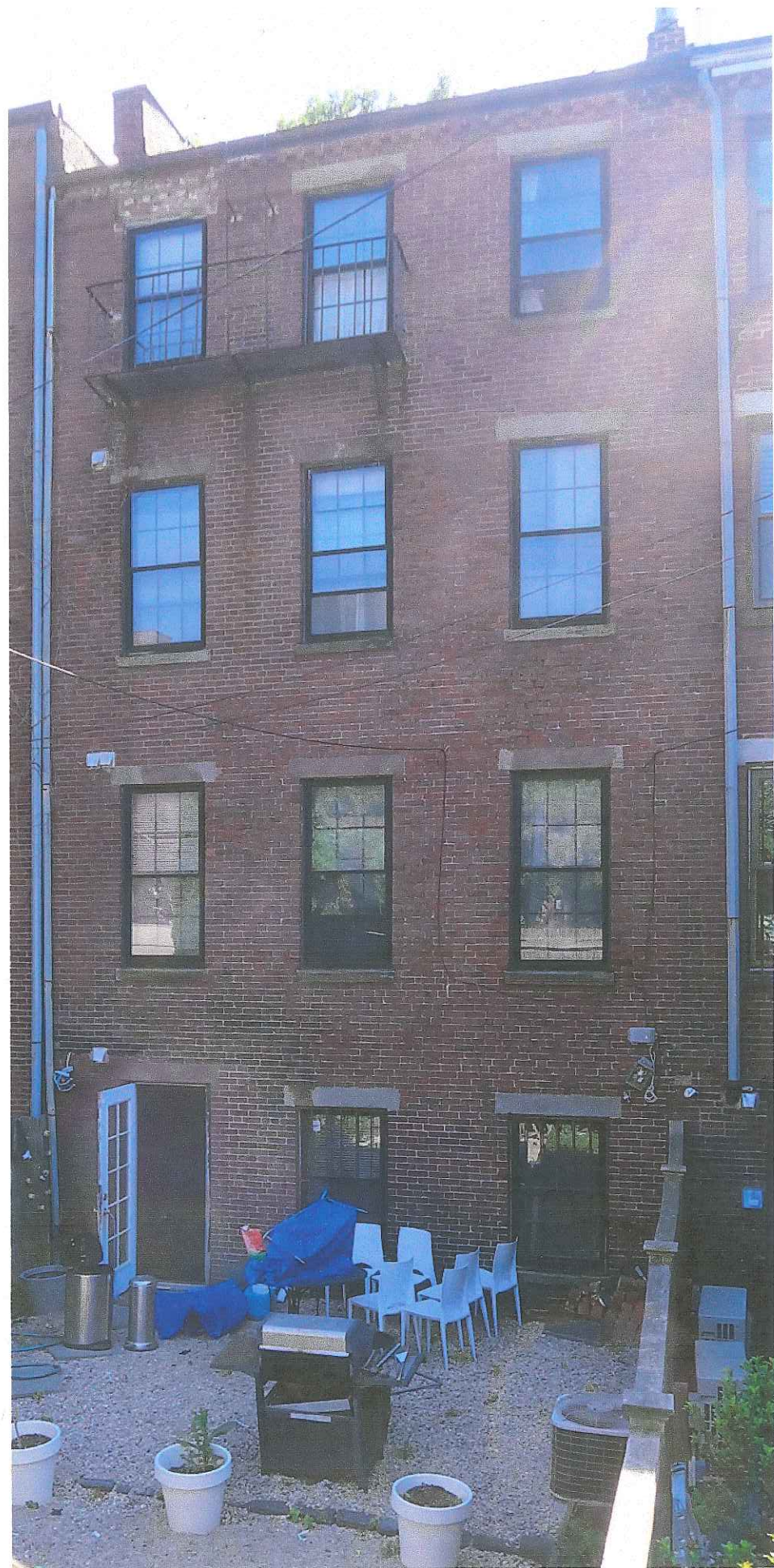
Chris & Carolyn Lowell  
 195 W. Springfield St.  
 Boston, MA

Elevations

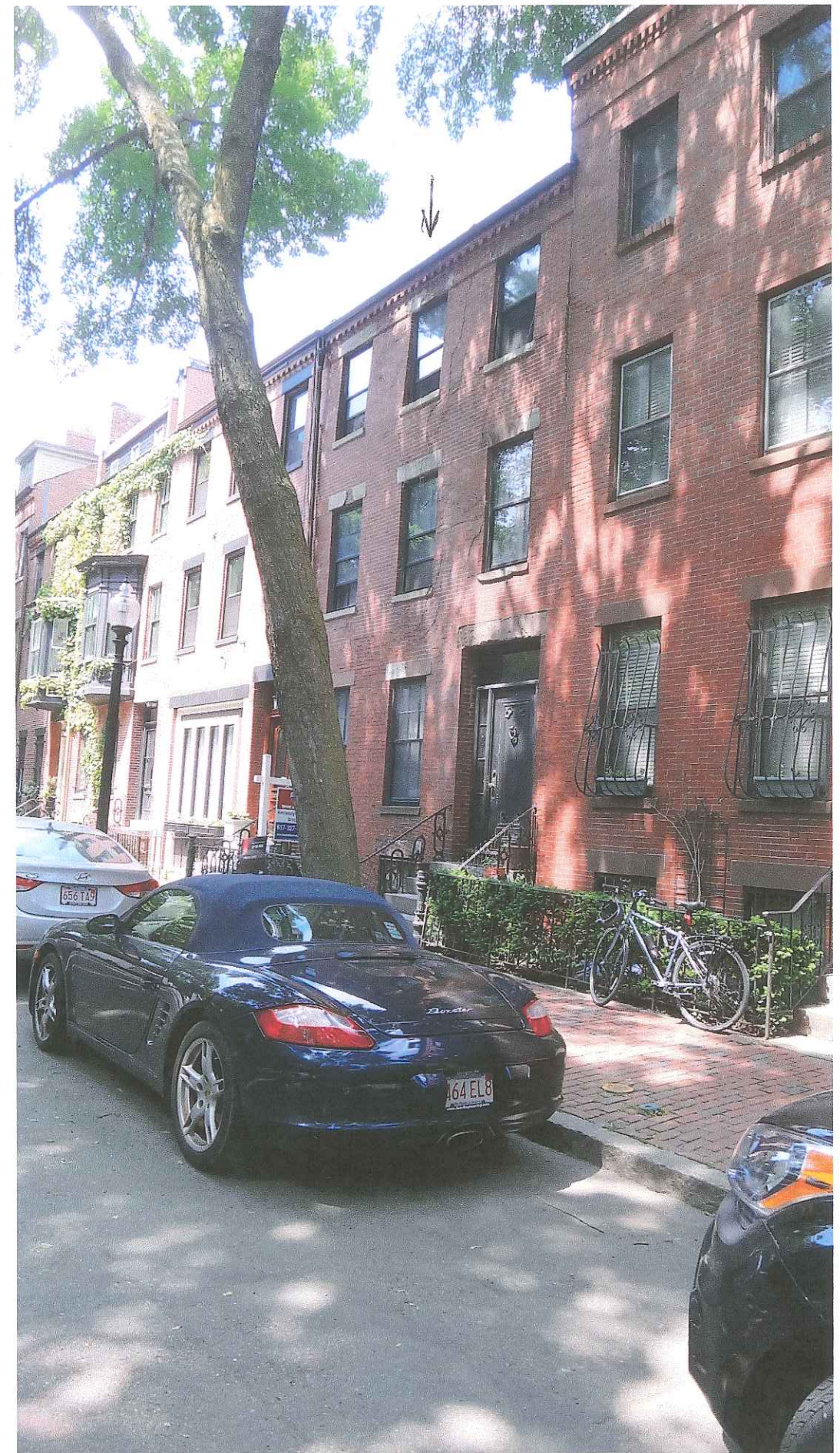
Date 6/13/2017 3:18:07 PM

**A - 301**





Rear facade 195 West Springfield St. 6/12/17

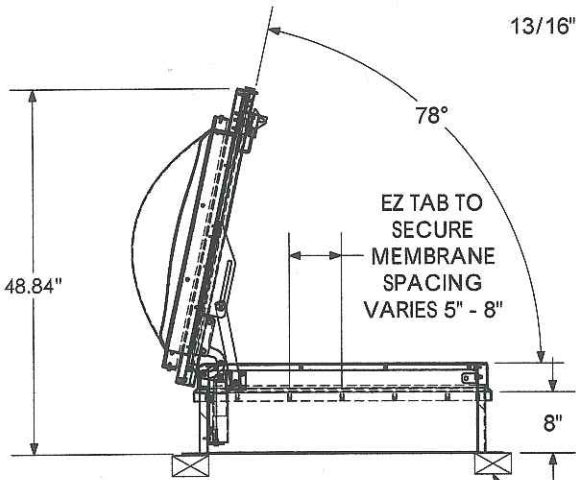
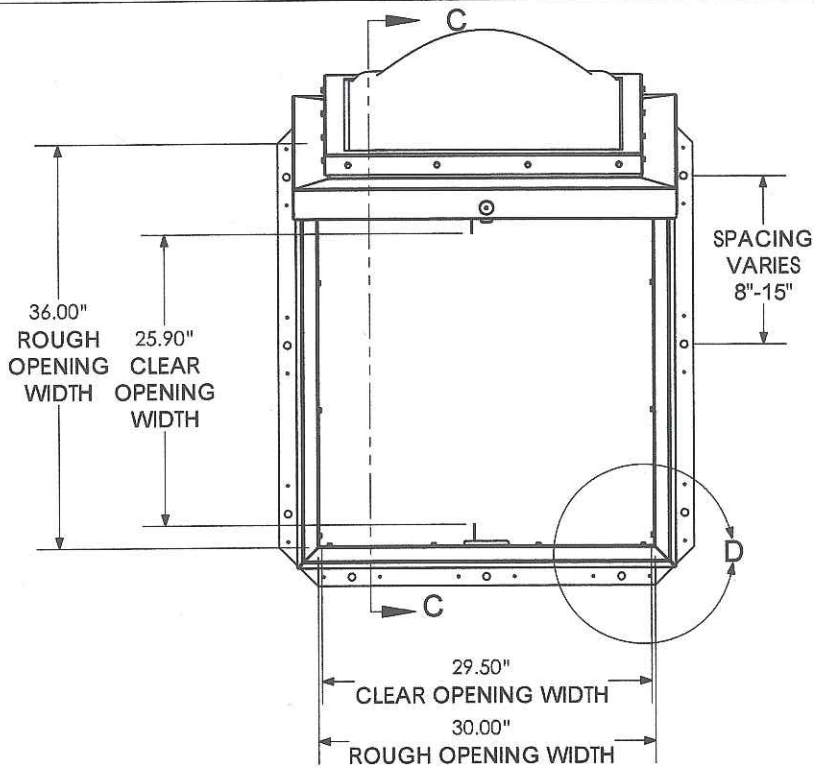


Street View 195 West Springfield St. 6/13/17





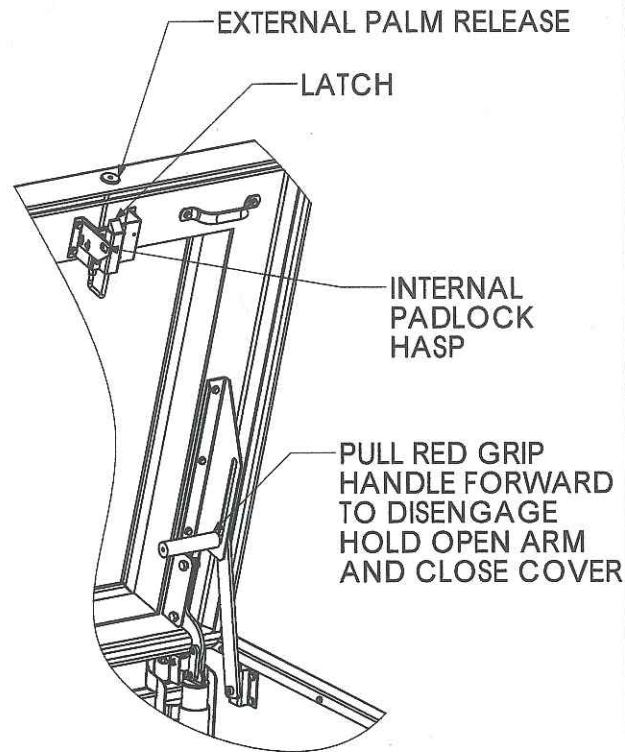




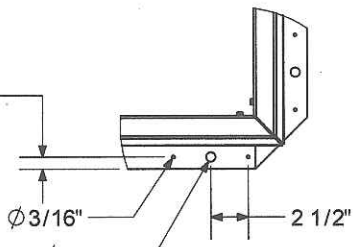
SECTION C-C

WOOD, CONCRETE, OTHER MATERIAL FOR MOUNTING BY OTHERS (NIC)

PROPRIETARY AND CONFIDENTIAL: THE INFORMATION CONTAINED IN THIS DRAWING IS THE SOLE PROPERTY OF NYSTROM. ANY REPRODUCTION IN PART OR AS A WHOLE WITHOUT THE WRITTEN PERMISSION OF NYSTROM IS PROHIBITED.

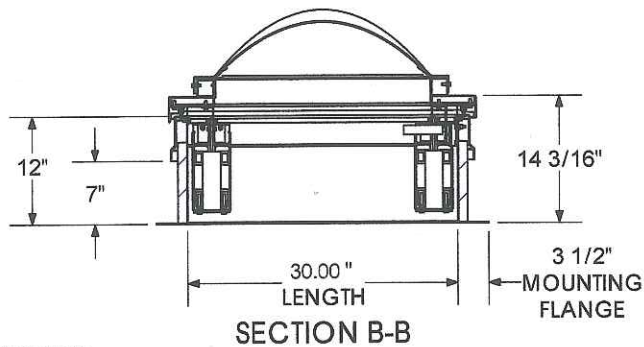
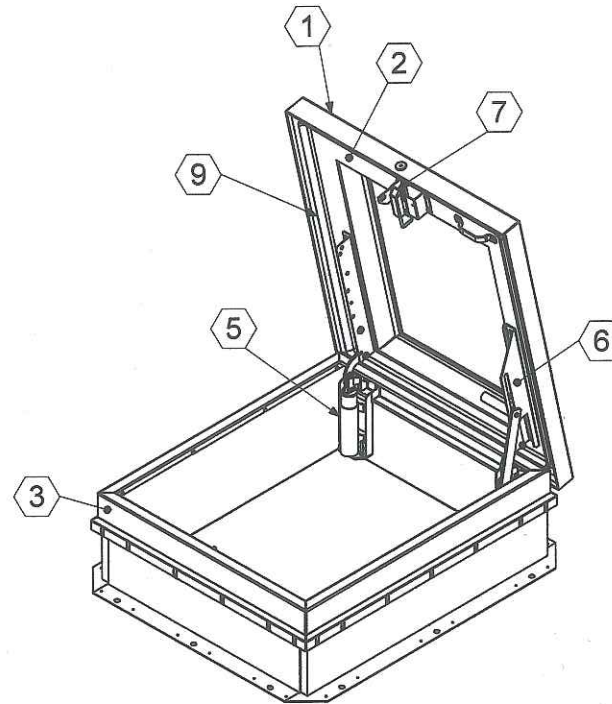
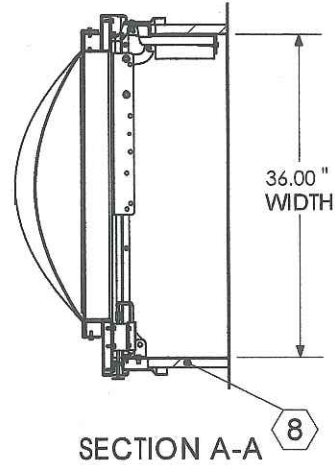
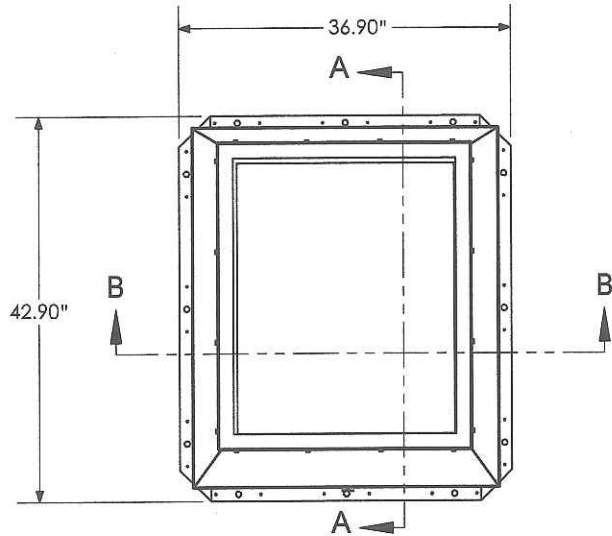


HARDWARE DETAILS



DETAIL D

<b>NYSTROM</b> Right to site. 9300 73rd Avenue North Brooklyn Park, MN 55428				TITLE: Roof Hatch, SunLit Series, Sngl Dr, Zinc Hdw Alum, Mill, Sngl Wall Curb,	
DRAWN	ELW	DATE	10/15/12	SIZE	A
RELEASED	-	-	-	DWG. NO.	RHLA_X_S_P
WEIGHT: VARIES				REV A	
					SHEET 2 OF 2



**SPECIFICATIONS:**

- ① **COVER:** 11 GA ALUM COVER STIFFENED TO WITHSTAND A LIVE LOAD OF 40PSF WITH A MAX DEFLECTION OF 1/150 OF THE SPAN
- ② **LINER:** 18 GA ALUM
- ③ **CURB AND COUNTERFLASH W/ EZ TAB:**  
11 GA ALUM
- 4 **FINISH:** MILL FINISH
- ⑤ **SPRING/HINGE ASSEMBLY:** ZINC PLATED STEEL TAMPER-PROOF HINGE CONTAINED WITHIN SPRING/HINGE ASSEMBLY. TELESCOPIC TUBES CONTAIN COIL STEEL COMPRESSION SPRINGS FOR LIFT ASSISTANCE
- ⑥ **HOLD OPEN ARM:** LOCKS COVER IN FULLY OPEN POSITION - ZINC PLATED STEEL WITH RED VINYL GRIP HANDLE PULL RELEASE
- ⑦ **LATCH:** SINGLE POINT LATCH SLAM LATCH HOLDS COVER CLOSED AGAINST 20 PSF WIND UPLIFT. EXTERNAL PALM RELEASE INTERNAL RELEASE HANDLE WITH PADLOCK HASP

⑧ **INSULATION:**

1" POLYSTYRENE (R4) IN COVER, AND 1" POLYISO (R7.2) IN CURB

⑨ **GASKET:** ADHESIVE BACKED EPDM RUBBER EXTRUSION

⑩ **SIZING:** WIDTH X LENGTH DIMENSIONS ARE MEASURED INSIDE CURB TO INSIDE CURB WHERE THE WIDTH IS HINGE TO LATCH AND LENGTH IS HINGED SIDE WITH SPRINGS

ROOF HATCH SIZE 36 " (WIDTH) x 36 " (LENGTH)

CLEAR OPENING 25.90 " (WIDTH) x 29.50 " (LENGTH) 95.5"

ROUGH OPENING 36 " (WIDTH) x 30 " (LENGTH)

PROPRIETARY AND CONFIDENTIAL: THE INFORMATION CONTAINED IN THIS DRAWING IS THE SOLE PROPERTY OF NYSTROM. ANY REPRODUCTION IN PART OR AS A WHOLE WITHOUT THE WRITTEN PERMISSION OF NYSTROM IS PROHIBITED.

PROJECT:				
ARCHITECT:				
CONTRACTOR:				
QTY:				
PART#:		RHLA36X30S1P		
 Right to site. 9300 73rd Avenue North Brooklyn Park, MN 55428		TITLE:		
		Roof Hatch, SunLit Series, Sngl Dr, Zinc Hdw, Alum, Mill, Sngl Wall Curb,		
NAME	DATE	SIZE	DWG. NO.	REV
DRAWN	ELW	10/15/12	A	RHLA X S P
RELEASED	-	-	WEIGHT: VARIES	SHEET 1 OF 2