

106796

Version 01

12-12-17

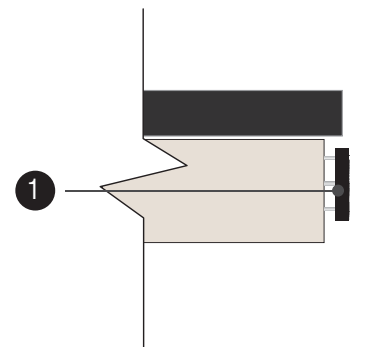
Embarc Studio

Aberdeen  
Exterior Signage

**Entrance Signage**

Quantity: 1 Set

- 1 Channel Letters (Halo- Lit)**
  - 2" Deep Aluminum Fabricated Channel Letters
  - Faces & Returns Painted Black
  - LED Illumination
- 2 Surface Applied Vinyl; Avery A6 Black (Contour Cut) (Forward Applied)**
- 3** (1) Forward Apply Vinyl Graphics as Shown  
(2) Mechanically Fasten with 1.5" Spacers & 1/4-20 Fasteners



**2** End View  
Scale: 1:10  
Fabrication



**2** Elevation - Night View  
Scale: 1:10  
Fabrication



**1** Elevation  
Scale: 1:10  
Fabrication



170 Liberty Street  
Brockton, MA 02301  
508-580-0094

SALES REPRESENTATIVE  
Gwen Ferrigno  
PROJECT MANAGER

ACCOUNT COORDINATOR  
Marie Chase

DESIGNER  
SS

SCALE 10%

SHEET  
**G01.00**

©2015 This document and the designs herein were produced expressly for this project and remain the property of Sign Design, Inc. They may not be reproduced or used for any other purpose without the written consent/authorization of Sign Design, Inc.  
The colors printed on this page are strictly representational and should not be copied or reproduced in any way and/or used in connection with this project. Refer to color spec sheet for proper number match and system selection.

TDA

TISE DESIGN ASSOCIATES

Architecture Site Planning Project Management

Suite 303  
246 Walnut Street  
Newtonville, Massachusetts 02460  
617 - 581 - 6601 617 - 581 - 6611 fax

DATE: OCTOBER 1, 2016  
SCALE: 1/8" = 1'-0"  
PROJECT NO.

01/08/2016 PERMIT SET  
10/01/2016 CONFIRMED CONSTRUCTION SET

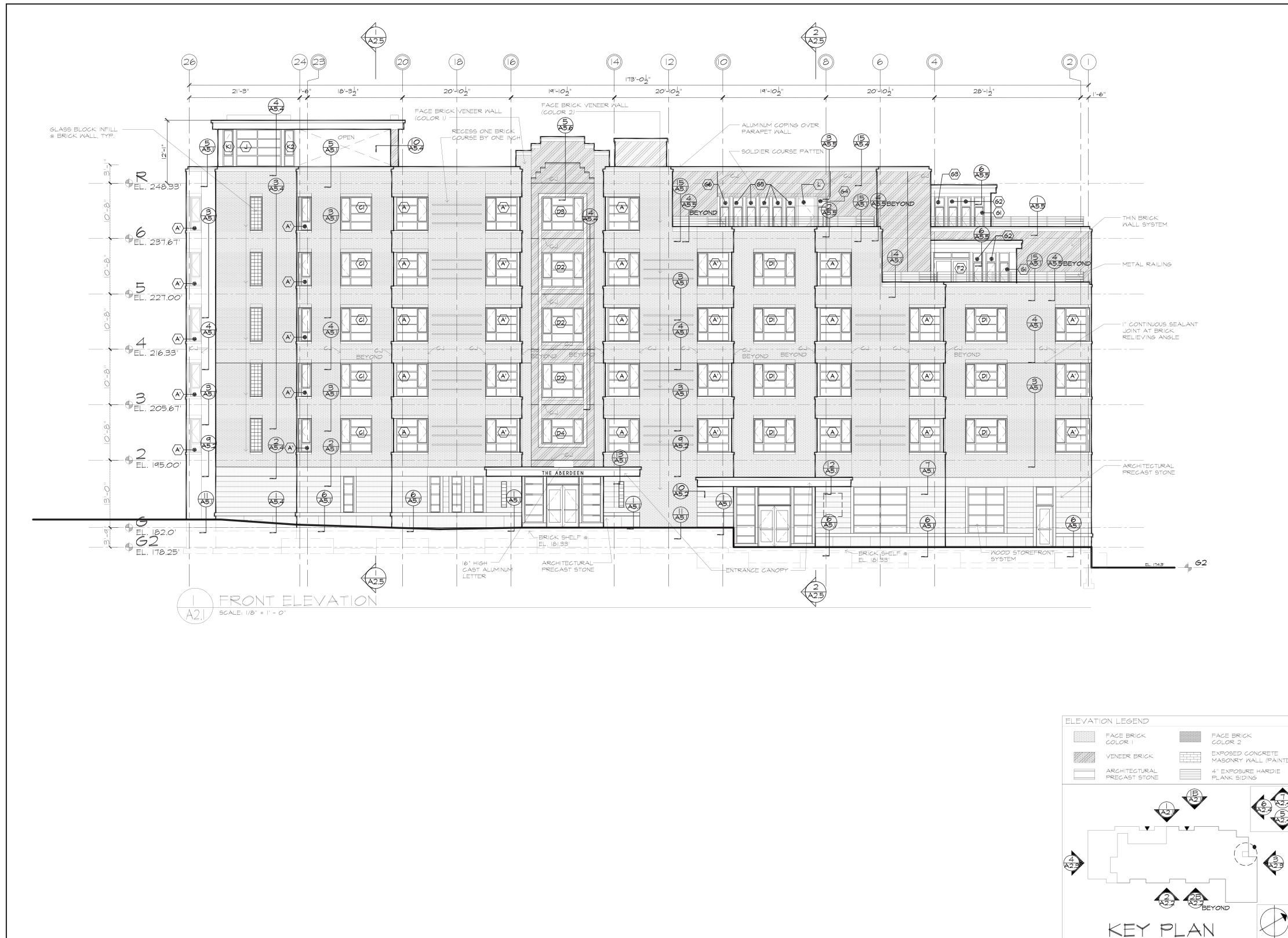
THE ABERDEEN  
1650 COMMONWEALTH AVENUE, BOSTON, MA.

DRAWING TITLE:  
FRONT ELEVATION

REGISTRATION

DRAWING NO.

A2.1



170 Liberty Street  
Brockton, MA 02301  
508-580-0094

SALES REPRESENTATIVE  
Gwen Ferrigno  
PROJECT MANAGER

ACCOUNT COORDINATOR  
Marie Chase  
DESIGNER  
SS

SCALE N/A

SHEET  
SITEMAP