

Marshall St. Elevation

OYSTER SHELL HOUSE

B

A

A

A

A

B

A

A

A

A

A: Aluminum Clad
& Windows

B: Custom Mahogany
2 windows

Creek Sq. Elevation #1



A: Aluminum Clad
18 windows on 2nd : 3rd floors

Creek Sq. Elevation #2

33 Union St



OYSTER SHELL HOUSE

A

A

A

A

A: Aluminium clad
4 windows on 4th Floor

Marsh Lane Elevation

3 more clad



A

A

A

A: Aluminum Clad
7 windows on 4th Floor

Condition of
Existing Windows 1





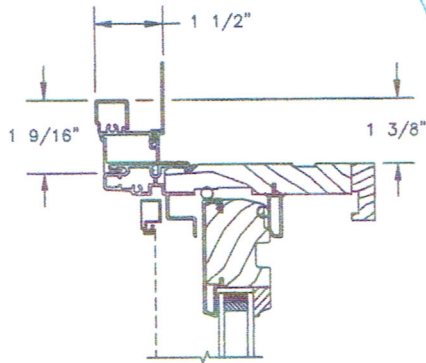
2

Pinnacle Series

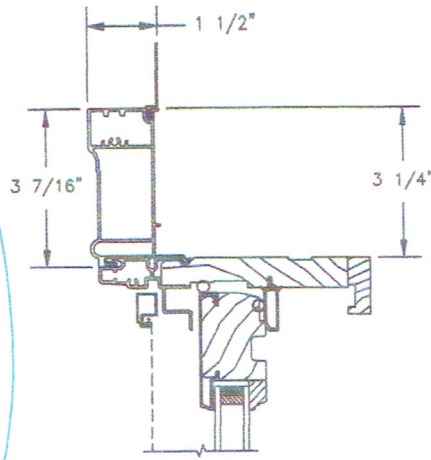
CLAD DOUBLE HUNG

SECTION DETAILS : CASING OPTIONS

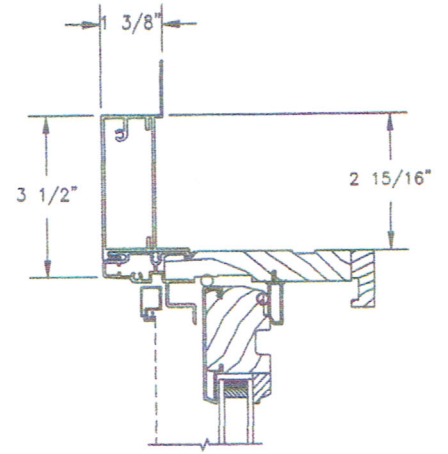
SCALE: 3" = 1'-0"



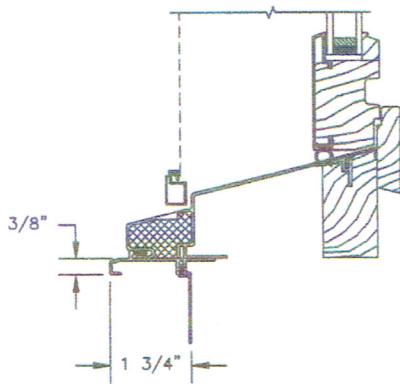
HEAD JAMB WITH
CLAD BRICKMOULD CASING



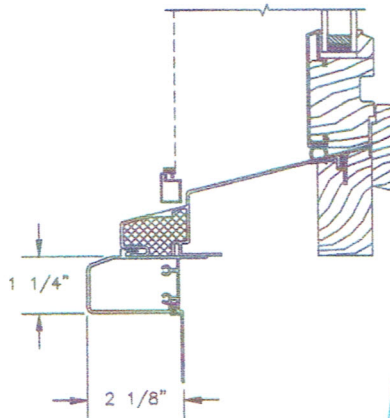
HEAD JAMB WITH
CLAD WILLIAMSBURG CASING



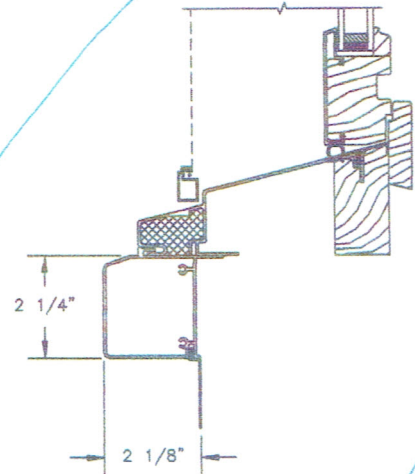
HEAD JAMB WITH
3 1/2" CLAD FLAT CASING



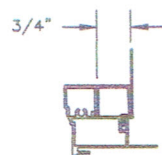
SILL WITH
3/8" CLAD SUBSILL



SILL WITH
1 1/4" CLAD SUBSILL



SILL WITH
2 1/4" CLAD SUBSILL



CLAD BRICKMOULD CASING
WITH OPTIONAL J-CHANNEL COVER

Pinnacle Series

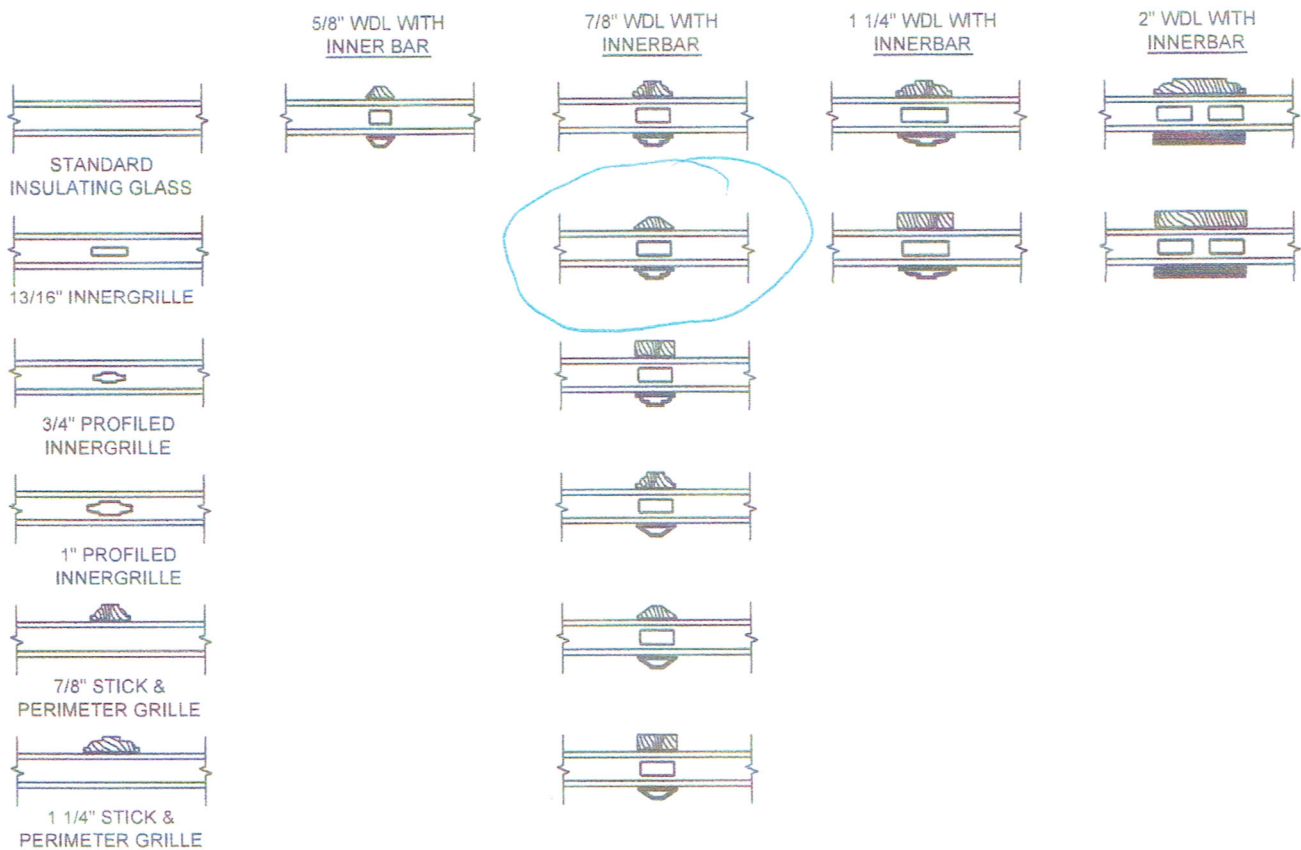
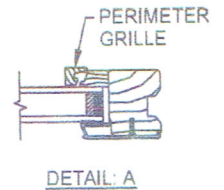
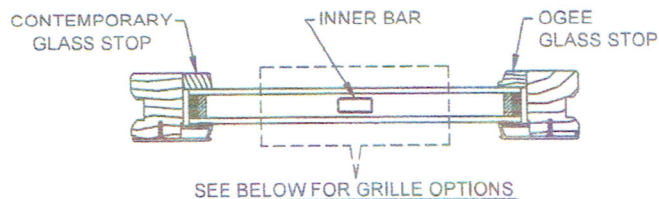
CLAD DOUBLE HUNG

SECTION DETAILS : DIVIDED LITE OPTIONS

SCALE: 3" = 1'-0"

AVAILABLE STYLES

-  - PUTTY
-  - OGEE
-  - CONTEMPORARY



NOTE:

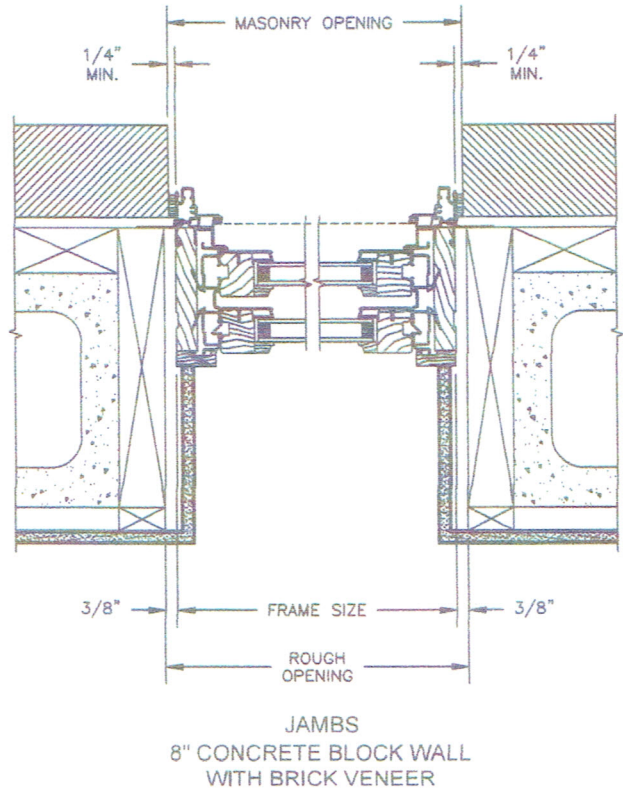
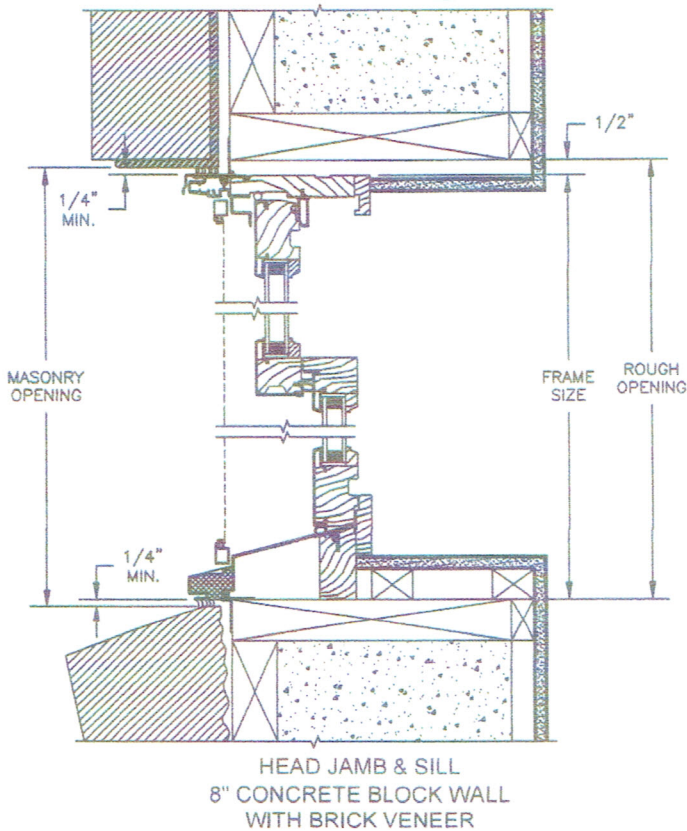
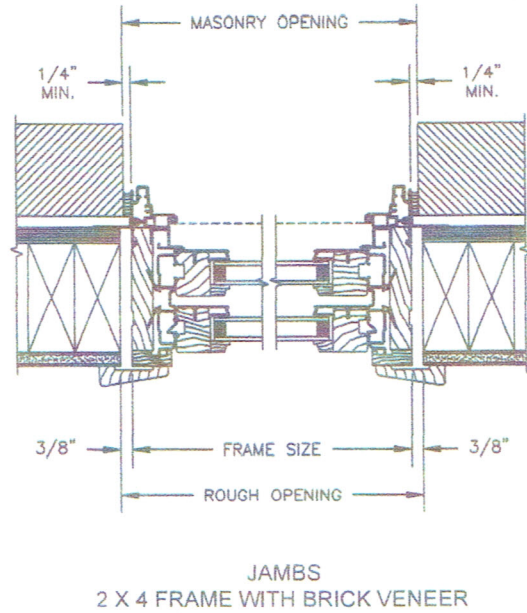
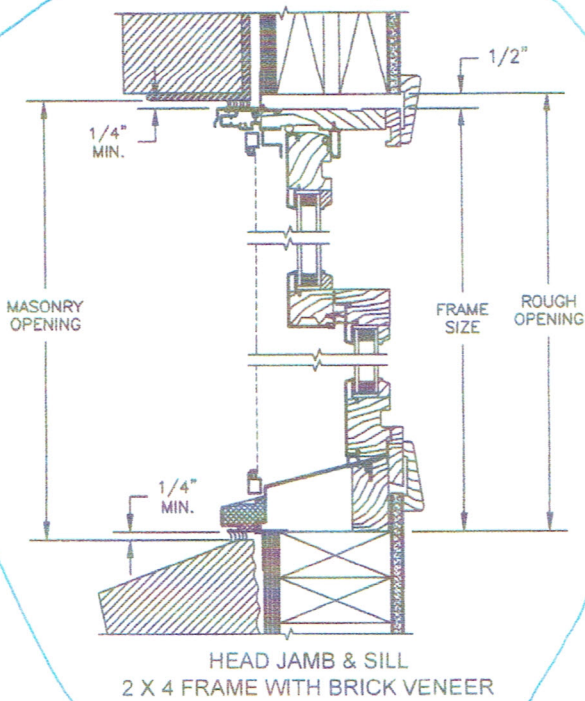
* ALL WDL OPTIONS CAN BE ORDERED WITH OR WITHOUT INNER BAR

* PERIMETER GRILLES ONLY AVAILABLE IN THE 7/8" AND 1 1/4" OGEE STYLE GLASS STOP (SEE DETAIL: A)

9/28/16

Pinnacle Series CLAD DOUBLE HUNG

SECTION DETAILS : CONSTRUCTION
SCALE: 2" = 1'-0"





Dealer: **BROSCO - PORTLAND**
203 READ STREET

PORTLAND ME 04103
Phone: 978-475-7100 Fax: 866-582-6899

Customer
Quote

Spec Report

QUOTE #	STATUS	PK#	DATE PRINTED
1119268	None	220	3/30/2017 9:41 AM
CUSTOMER JOB NAME	QUOTE NAME	PROJECT NAME	QUOTE LAST MODIFIED
	DeNormandie	12 Marshall St	3/30/2017 7:39:49 AM

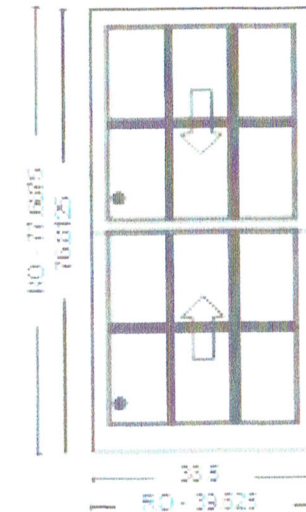
Line Number: 100 Room ID: top Floor
Line Item Qty: 13

Dimensions

Frame Size: 38.5" X 76.8125" Unit Dimension: 41 5/16" X 80 1/2"
Rough Opening: 39 5/8" X 77 11/16" Masonry Opening: 42 1/16" X 81"

Details

Pinnacle Clad Feature Color Sunflower Double Hung XXXX-1 Complete Unit Dual Low-E IG 4-9/16 Jamb Ext (Room ID: top Floor)(2605 Powder)(Setup (Standard))(Concealed Jambliner)(Glass Stop Profile: Ogee)(FD: 38.5 x 76.8125)(Interior Prime)(White Hardware)(Clad WM 180 Brickmould)(Clad 2 1/4 Subsill)(7/8" Putty WDL Short w/Inner Bar)(Ogee WDL Interior Profile)(Colonial 3W2H/3W2H)(Sunflower Screen - Not Applied)(BetterVue)(Energy Star: Meets all US Zones)(LC-PG35-H) Performance Data:(U-Value: 0.27)(SHGC: 0.18)(VT: 0.4)(CR: 47)



**** All units are viewed from the exterior.**

Performance Information

(U-Value: 0.27)(SHGC: 0.18)(VT: 0.4)(CR: 47)

- * (SHGC) Solar Heat Gain Coefficient
- * (VT) Visible Transmittance
- * (CR) Condensation Resistance
- * (AL) Air Leakage

Line Number: 200

Room ID: Lower Floor

Line Item Qty: 13

Dimensions

Frame Size:	38.5" X 83.8125"	Unit Dimension:	41 5/16" X 87 1/2"
Rough Opening:	39 5/8" X 84 11/16"	Masonry Opening:	42 1/16" X 88"

Details

Pinnacle Clad Feature Color Sunflower Double Hung XXXX-1 Complete Unit Dual Low-E IG 4-9/16 Jamb Ext (Room ID: Lower Floor)(2605 Powder)(Setup (Standard))(Concealed Jambliner)(Glass Stop Profile: Ogee)(FD: 38.5 x 83.8125)(Interior Prime)(White Hardware)(Clad WM 180 Brickmould)(Clad 2 1/4 Subsill)(7/8" Putty WDL Short w/Inner Bar)(Ogee WDL Interior Profile)(Colonial 3W2H/3W2H) (Sunflower Screen - Not Applied)(BetterVue)(Energy Star: Meets all US Zones)(LC-PG35-H) Performance Data:(U-Value: 0.27)(SHGC: 0.18)(VT: 0.4)(CR: 47)



**** All units are viewed from the exterior.**

Performance Information

(U-Value: 0.27)(SHGC: 0.18)(VT: 0.4)(CR: 47)

- * (SHGC) Solar Heat Gain Coefficient
- * (VT) Visible Transmittance
- * (CR) Condensation Resistance
- * (AL) Air Leakage