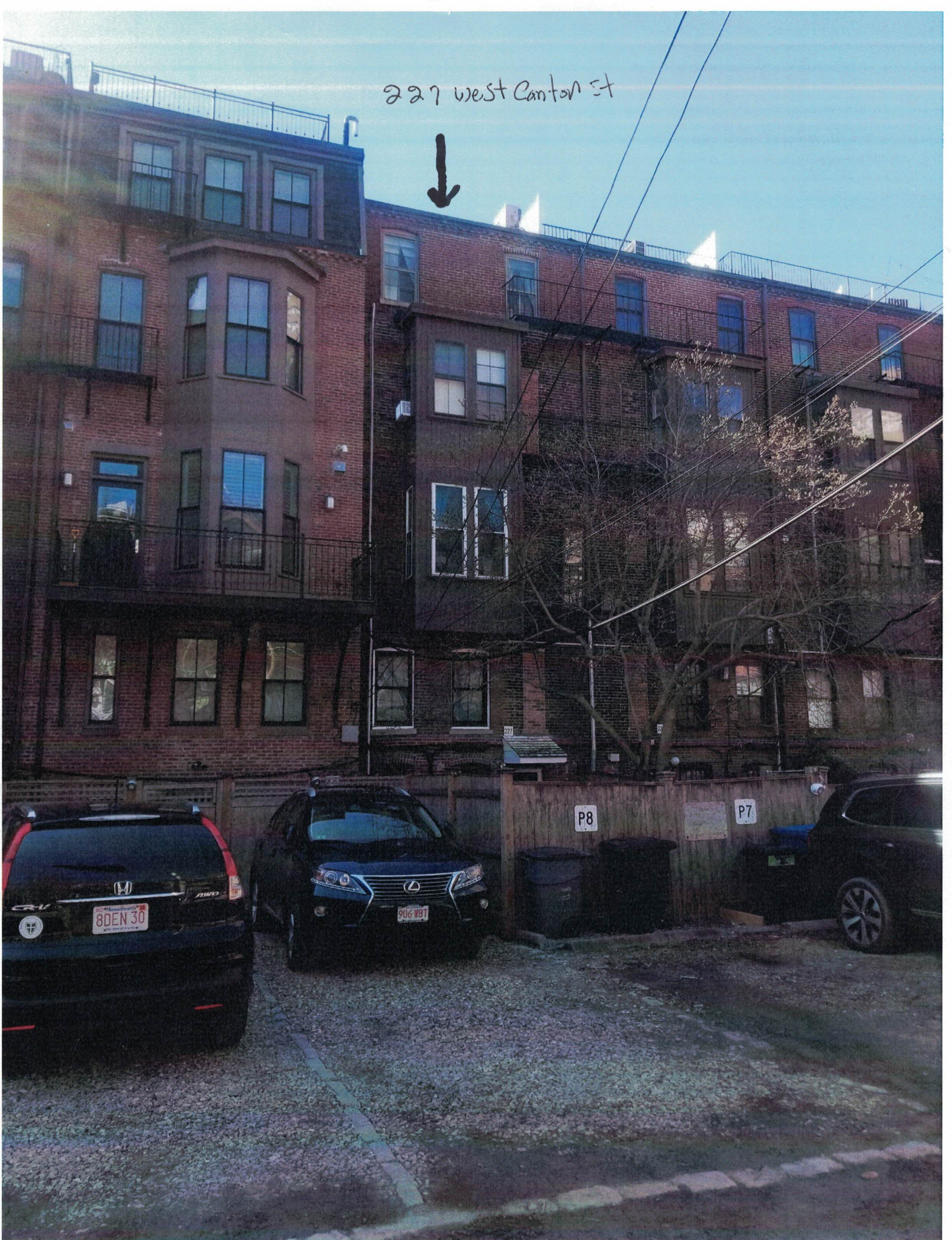
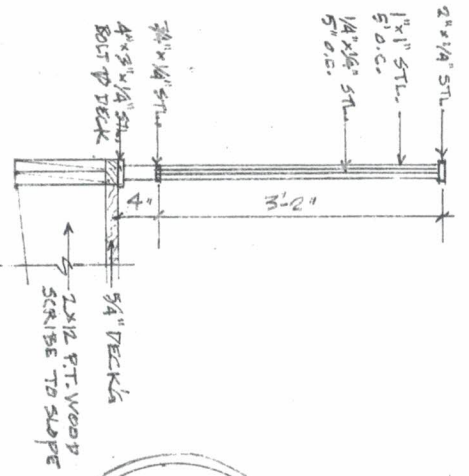


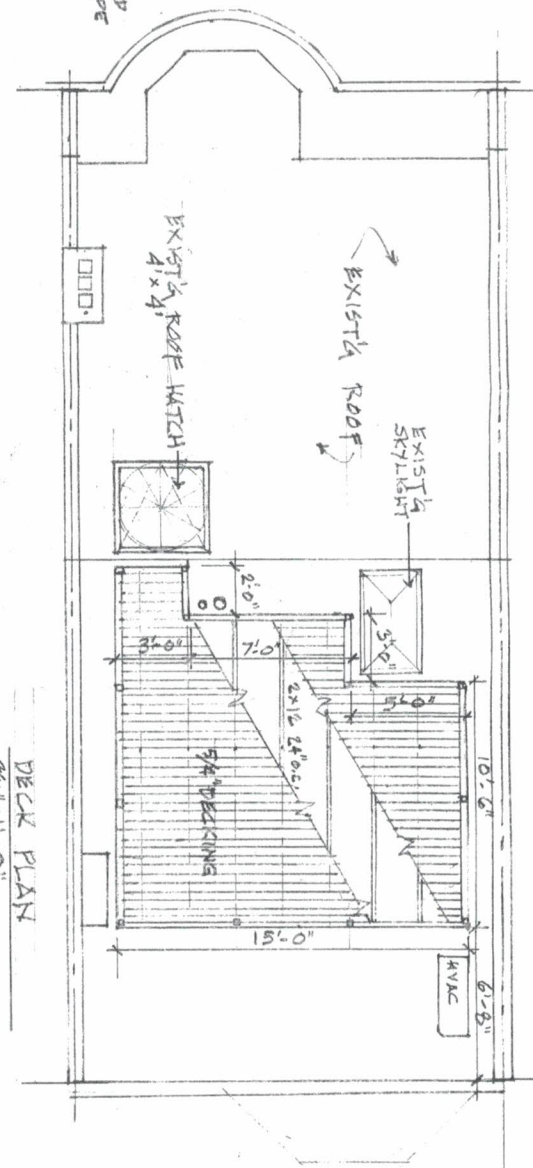
227 west Canton St



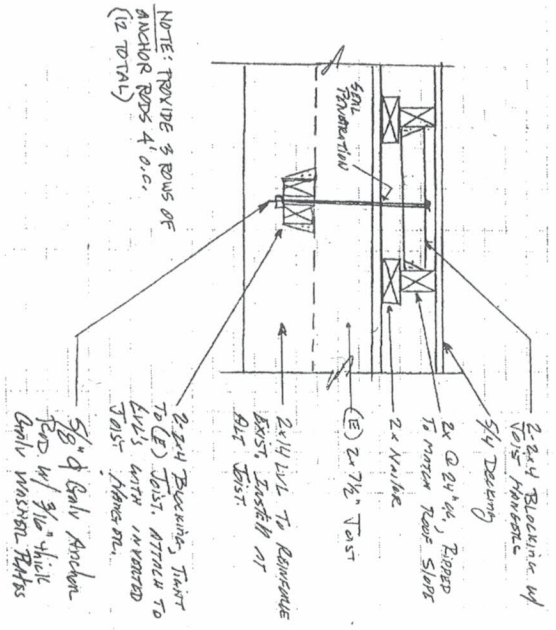




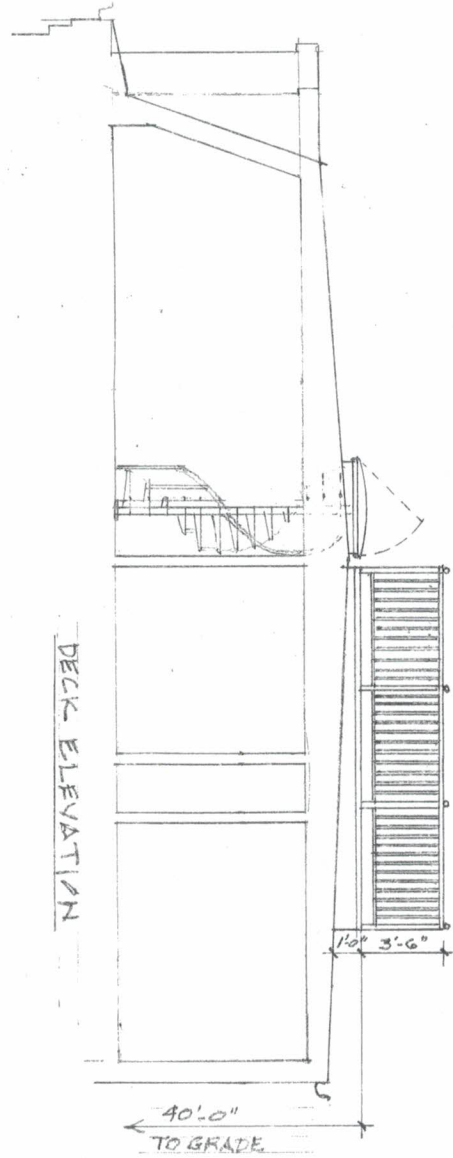
RAIL DETAIL  
3/4" = 1'-0"



DECK PLAN  
3/16" = 1'-0"

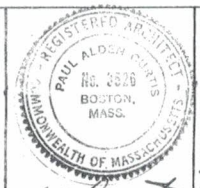


ROOF DECK ANCHORAGE



DECK ELEVATION

ARCHITECT  
PAUL ALDEN CURTIS A·I·A INC.  
13 DWIGHT STREET · BOSTON · 02118  
(617) 423-7896



REPLACEMENT ROOF-DECK  
227 WEST CANTON STREET  
BOSTON

*Paul Curtis*