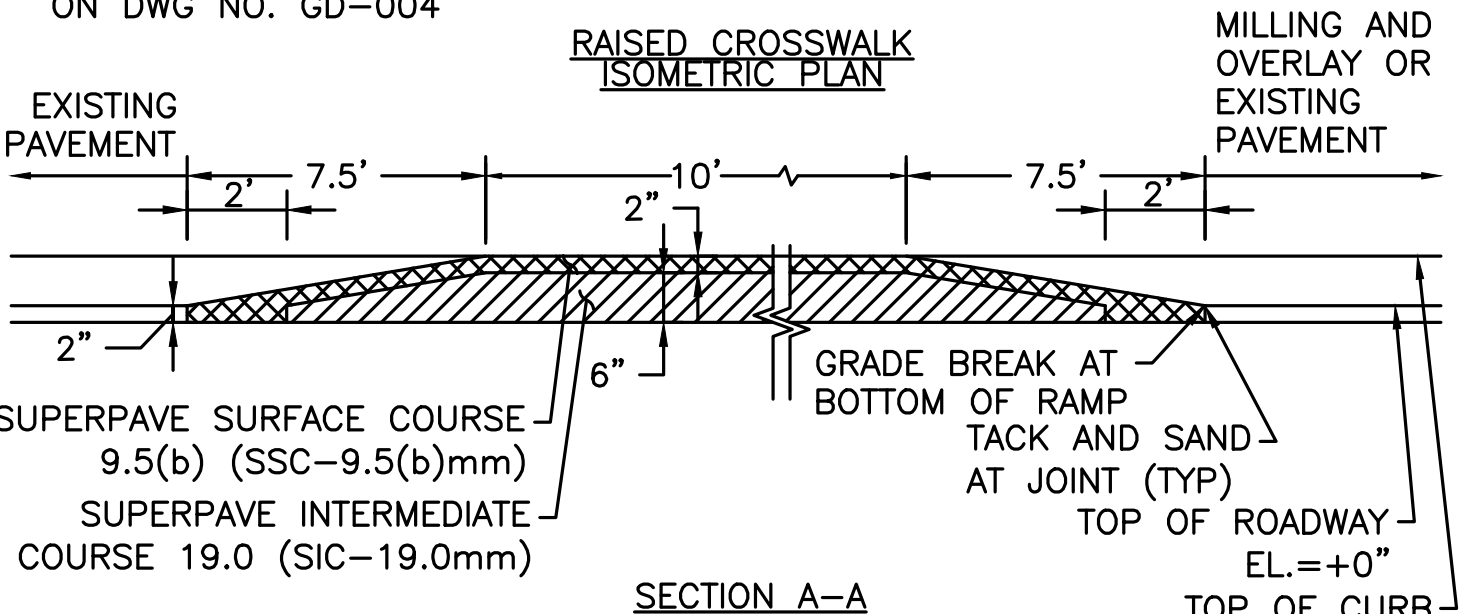


RAISED CROSSWALK ISOMETRIC PLAN






SECTION A-A

NOTES:

1. RAISED CROSSINGS SHOULD BE PAVED IN 2" MAXIMUM LIFTS.
2. THE RAMP SLOPE SHOULD NOT EXCEED 7% RELATIVE TO THE EXISTING SLOPE OF THE STREET ADJACENT TO THE CROSSING.

RAISED CROSSING TYPICAL DETAIL

 <p>BOSTON TRANSPORTATION DEPARTMENT</p>	 <p>Public Works Department Engineering Division 1 CITY HALL SQUARE, ROOM 710 BOSTON, MA 02201 (617) 635-4968</p>		<p>SCALE: NOT TO SCALE</p>	<p>DATE: 1/1/20</p>	<p>DETAIL NO. A723</p>
--	--	--	---	----------------------------------	------------------------------------