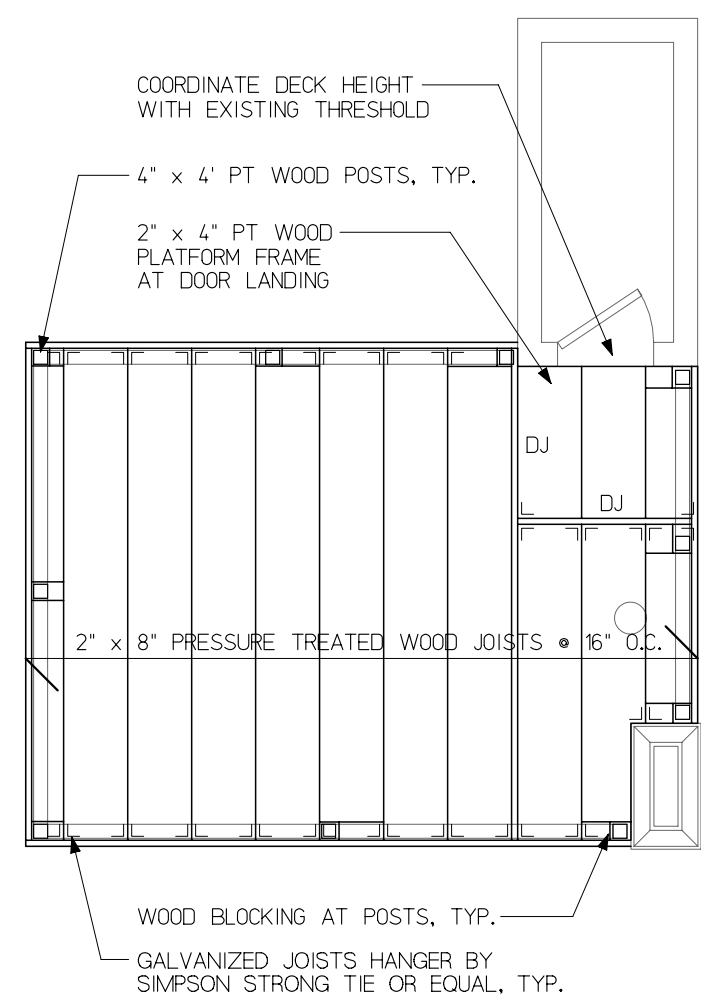
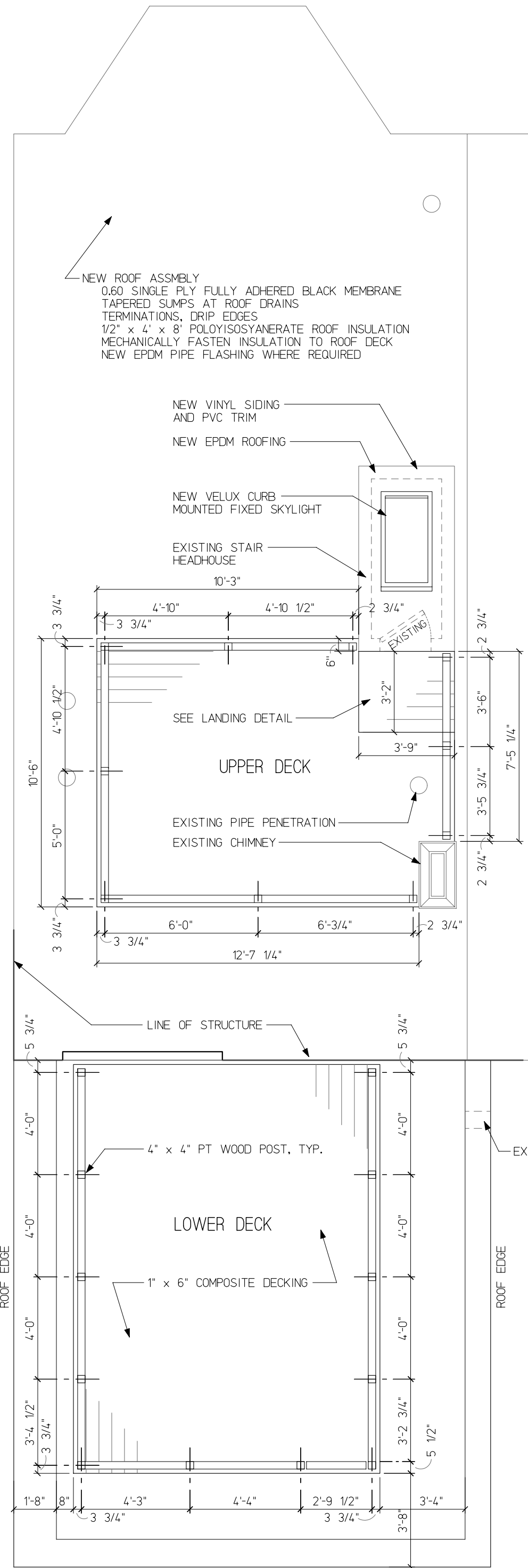
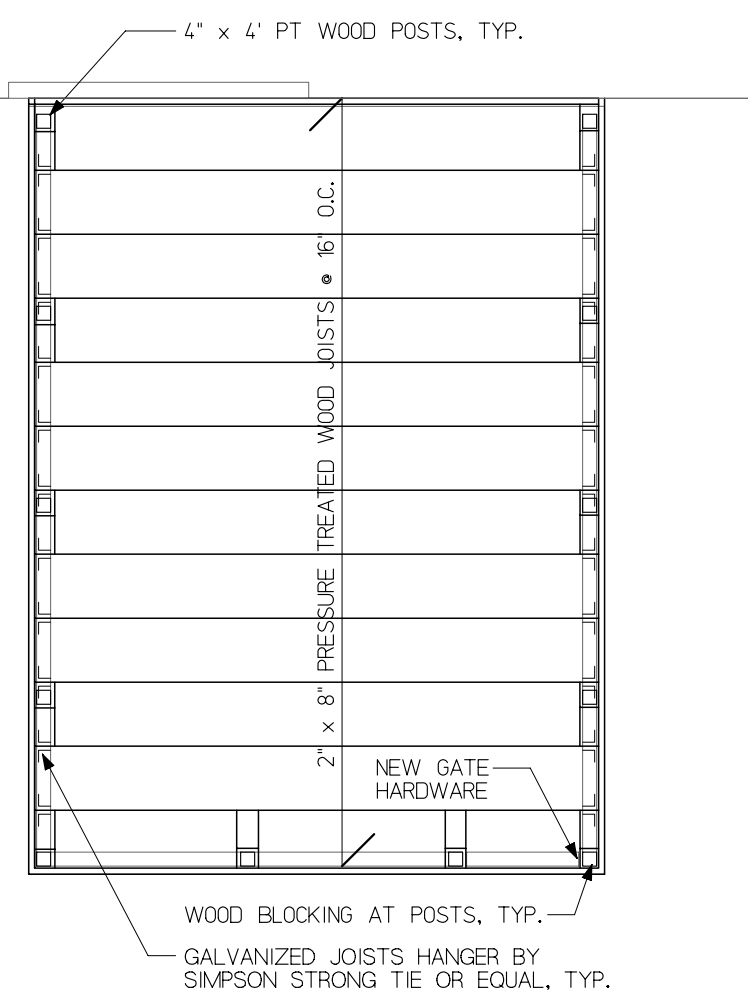


TYP DECK EDGE
1/2" = 1'-0"

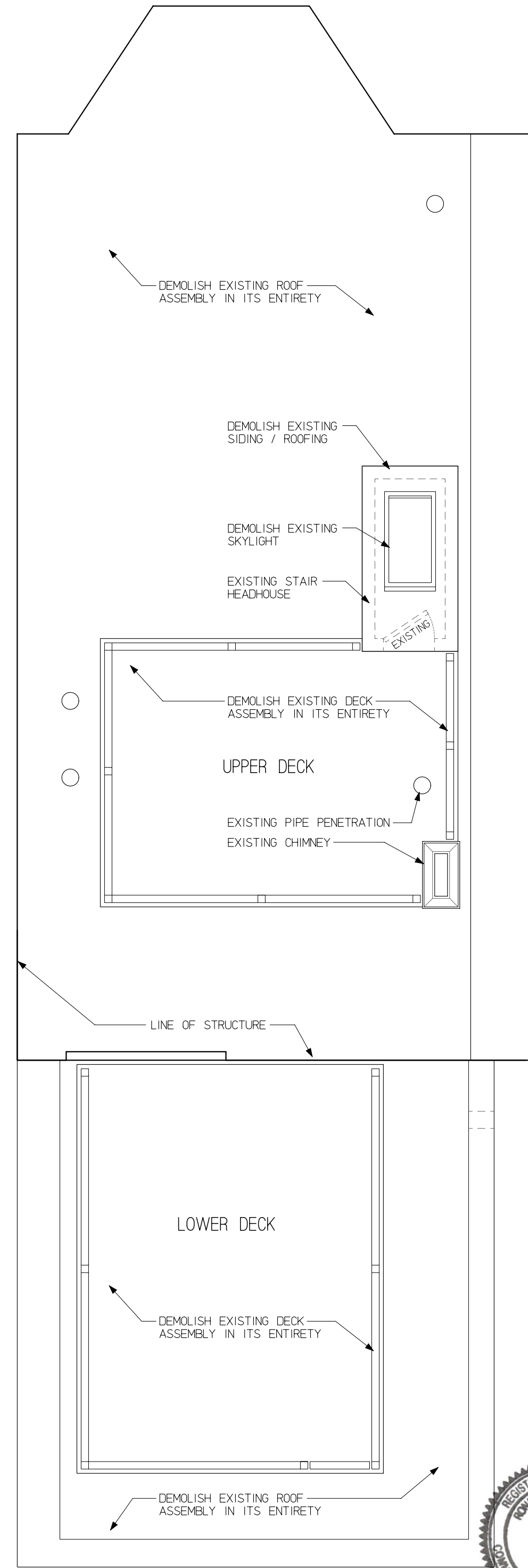
DECK EDGE @ LANDING
1/2" = 1'-0"



LOWER / UPPER DECK FRAMING PLAN



LOWER / UPPER DECK PLAN



LOWER / UPPER EXISTING DECK PLAN

