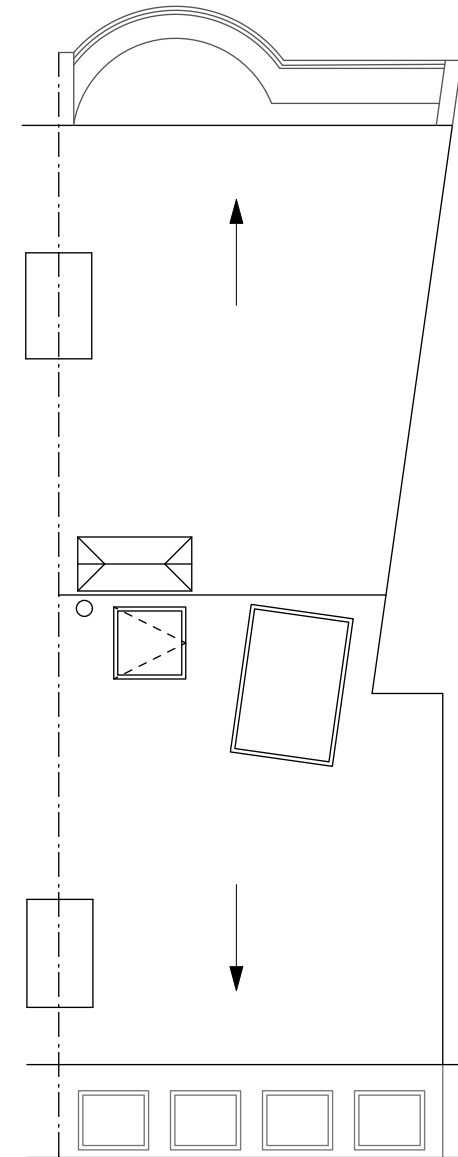


○ FOURTH FLOOR PLAN
1/8" = 1'-0"



○ ROOF PLAN
1/8" = 1'-0"

SELDC WINDOWS REV'D 6-17-23
7-5-23 SELDC AGENDA

SELDC WINDOW
REPLACEMENT



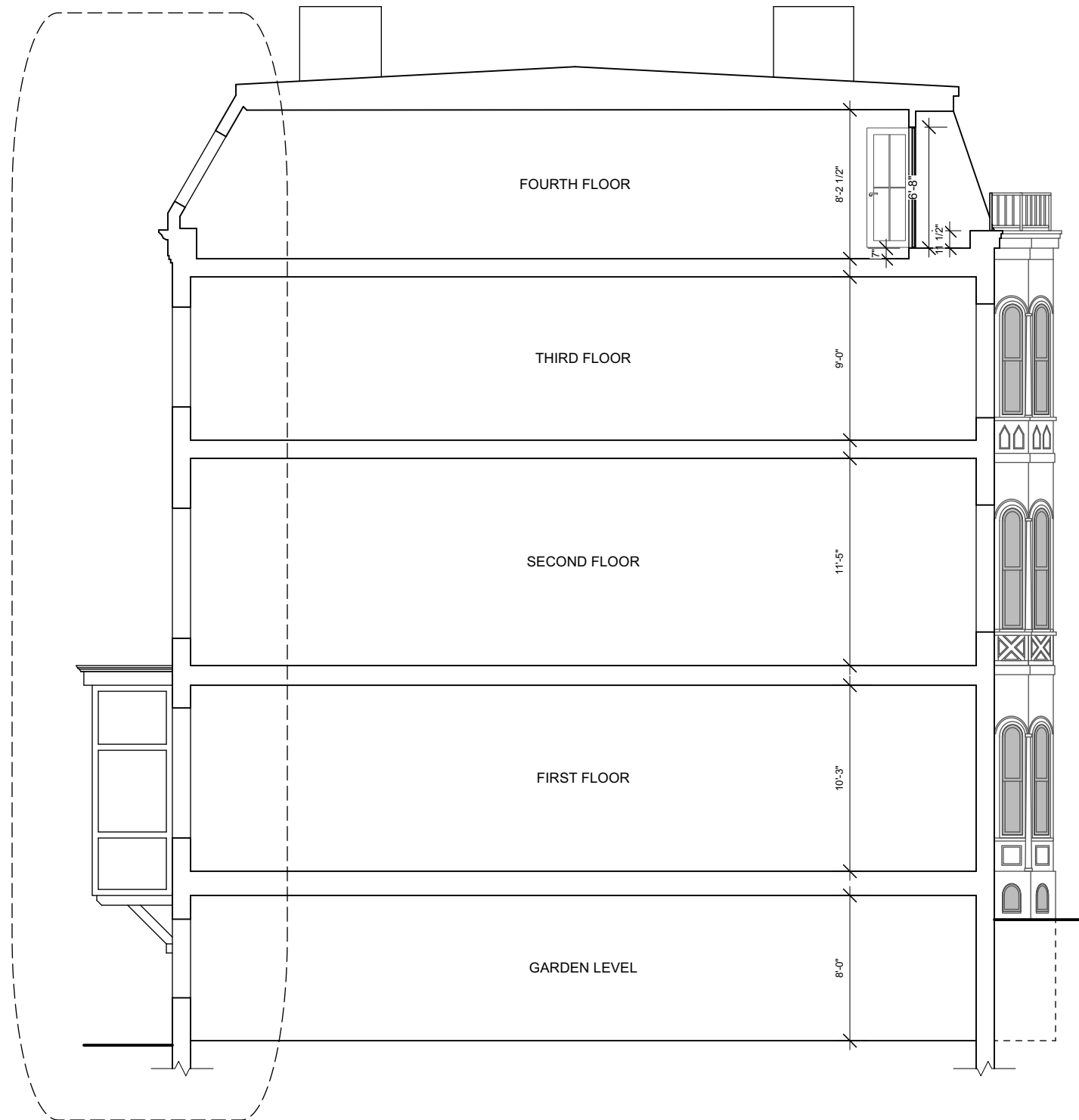
TIMOTHY SHEEHAN ARCHITECT
9 WALL STREET
CHARLESTOWN, MA. 02129

**RENOVATIONS AT
23 RUTLAND SQUARE
BOSTON, MA.**

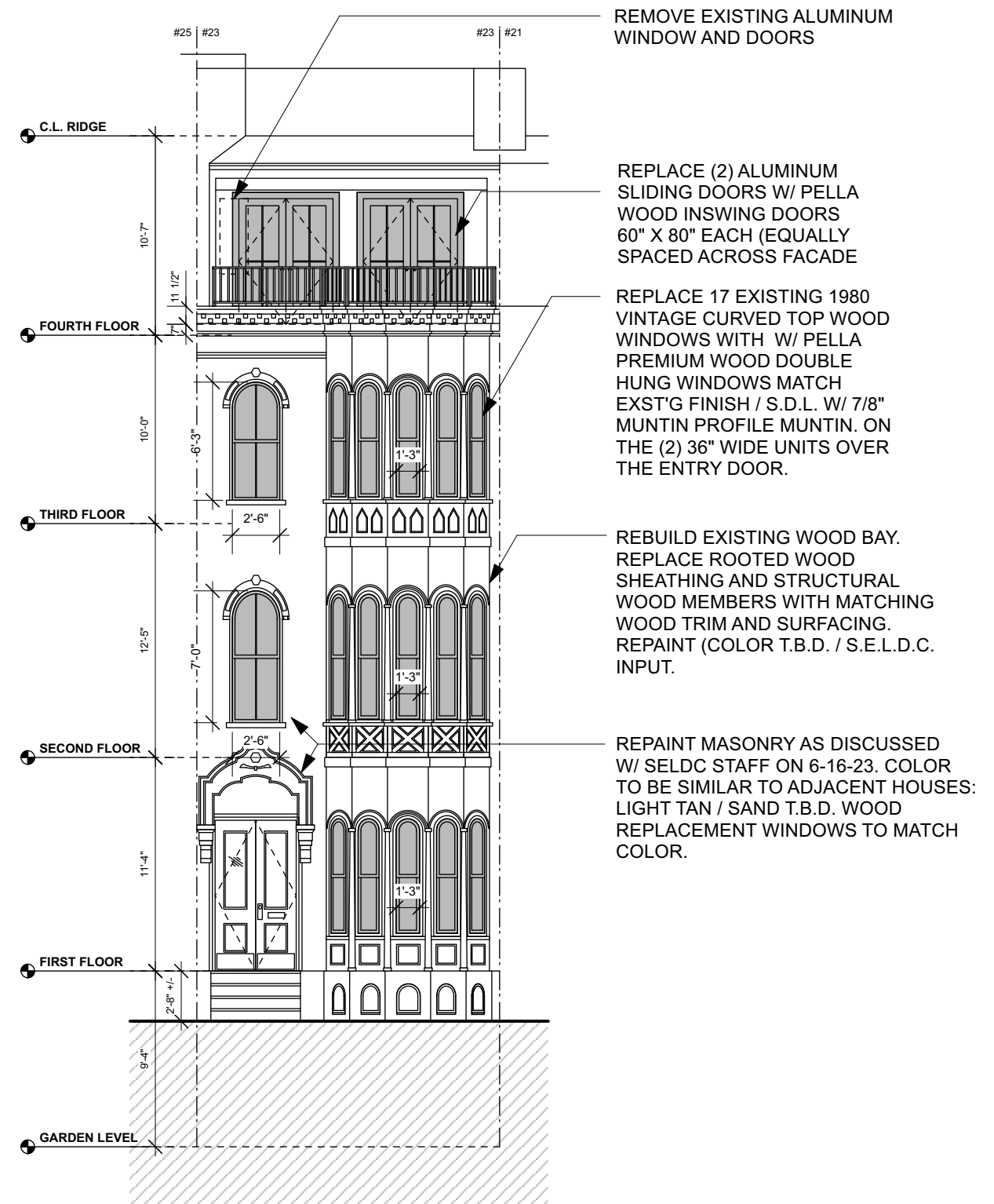
START DATE: 5/10/23
DRAWN BY: TS
SCALE: 1/8" = 1'-0"
PROJECT #: 2023-12

A1

REAR WORK NOT
VISIBLE FROM A
PUBLIC WAY



BUILDING SECTION
1/8" = 1'-0"



FRONT ELEVATION
1/8" = 1'-0"

SELDC WINDOWS REV'D 6-17-23
7-5-23 SELDC AGENDA

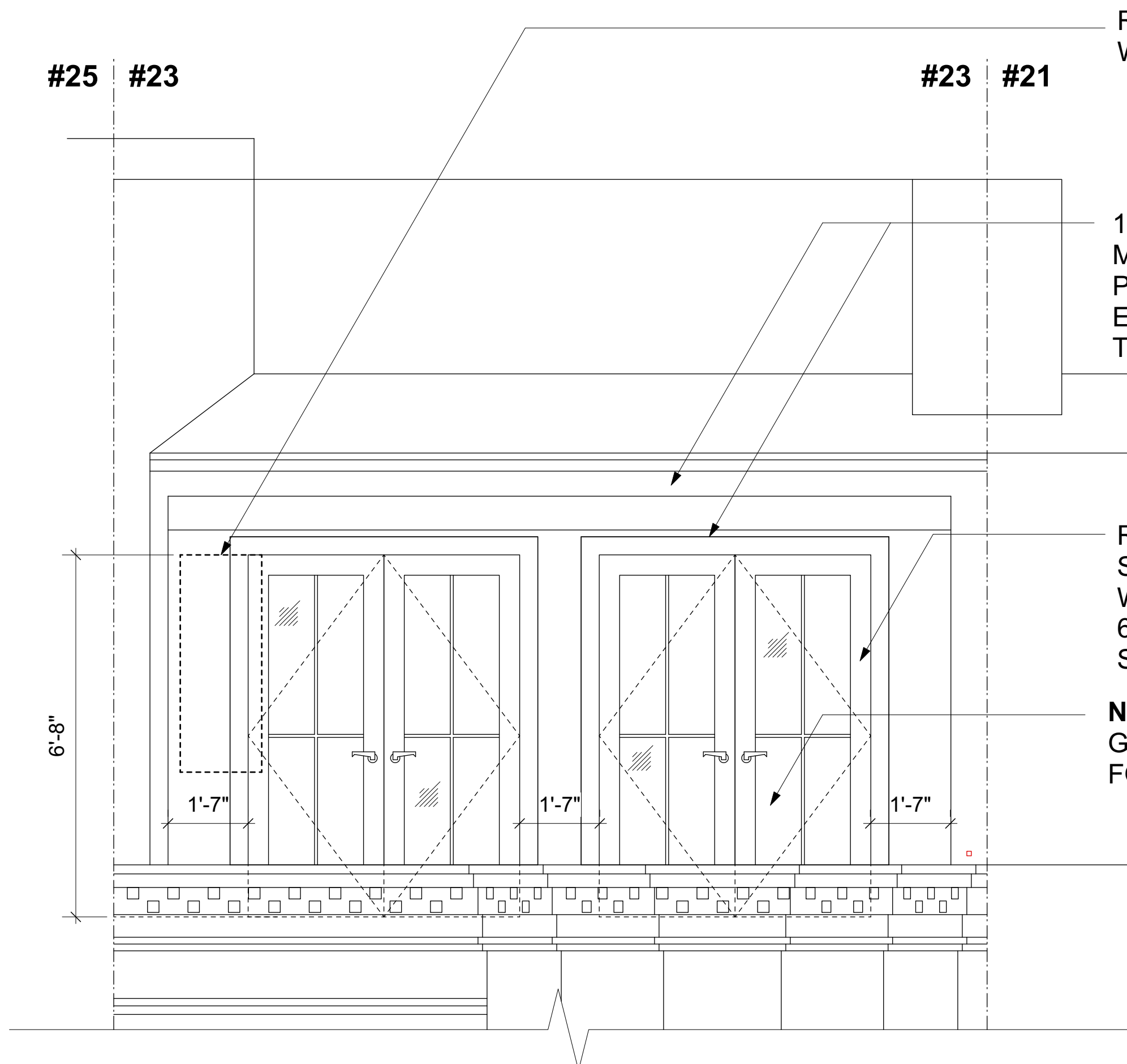
SELDC WINDOW
REPLACEMENT

TIMOTHY SHEEHAN ARCHITECT
9 WALL STREET
CHARLESTOWN, MA. 02129

RENOVATIONS AT
23 RUTLAND SQUARE
BOSTON, MA.

START DATE: 5/10/23
DRAWN BY: TS
SCALE: 1/8" = 1'-0"
PROJECT #: 2023-12

A2



REMOVE EXISTING ALUMINUM WINDOW AND DOORS


1 X 4 WOOD TRIM SURROUND
MDO PLYWOOD @ EXT. WALL
PTD. TO MATCH LIGHT TAN
EXT. COLOR. EXACT COLOR
T.B.D. W/ SELDC STAFF

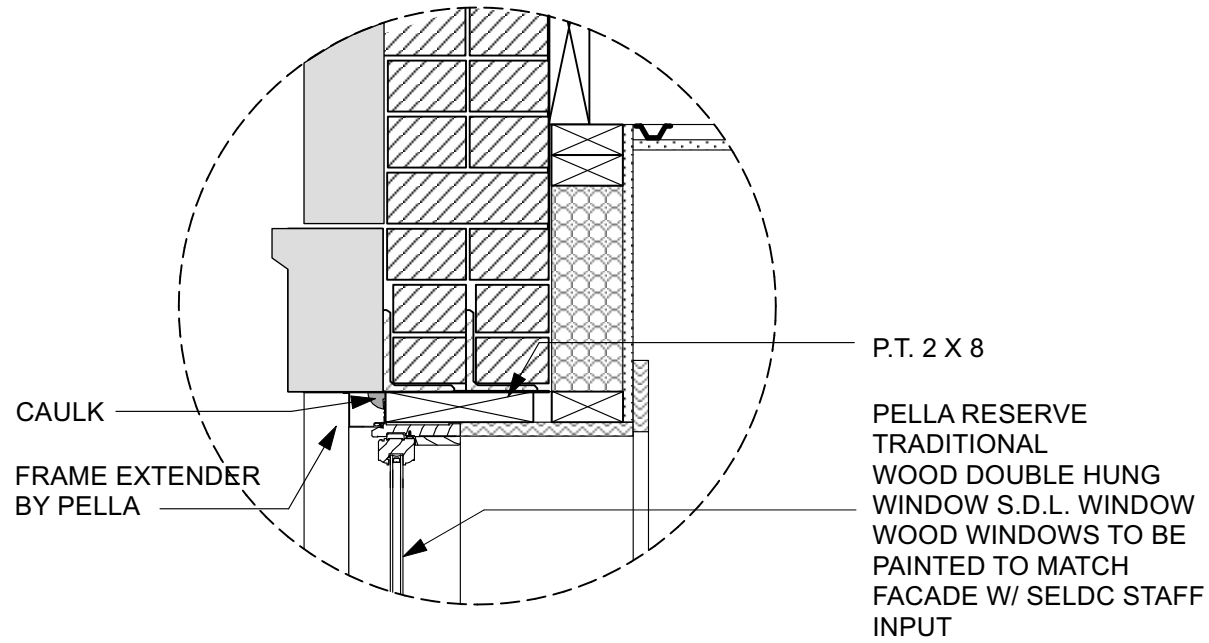
REPLACE (2) ALUMINUM
SLIDING DOORS W/ PELLA
WOOD INSWING DOORS
60" X 80" EACH (EQUALLY
SPACED ACROSS FACADE

NOTE:
GUARD RAIL NOT SHOWN
FOR DRAWING CLARITY

PARTIAL ELEVATION @ MANSARD / DOORS
1/2" = 1'-0"

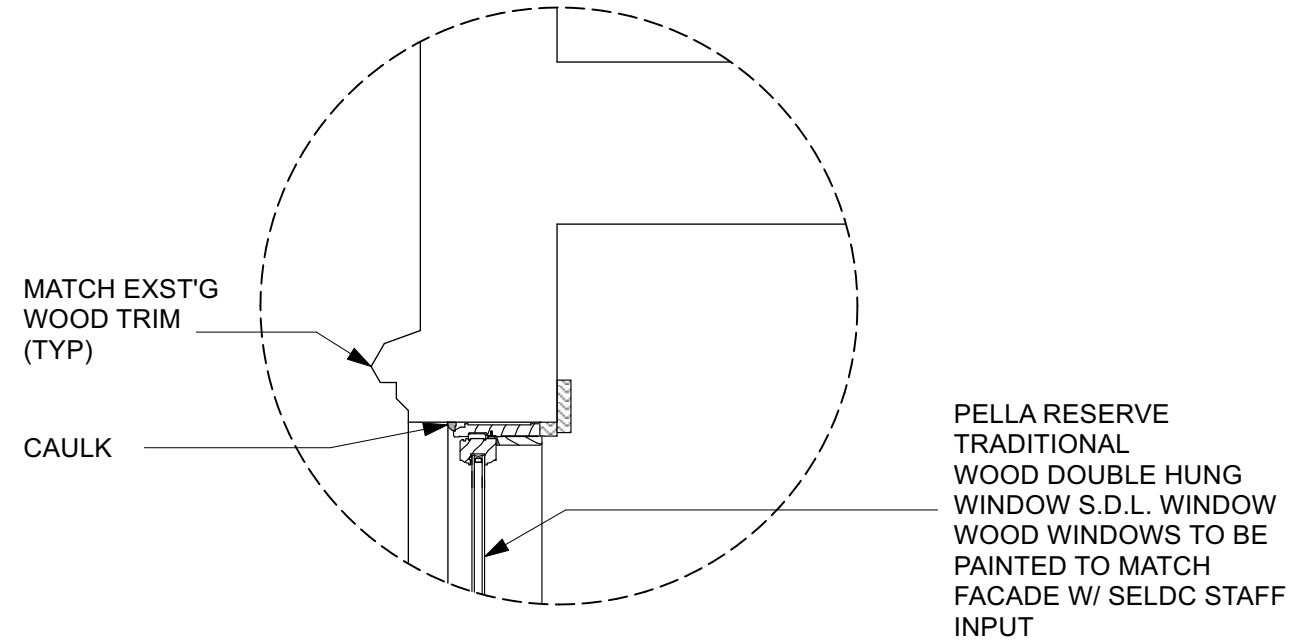
SELDC WINDOWS REV'D 6-17-23
7-5-23 SELDC AGENDA

SELDC WINDOW REPLACEMENT

TIMOTHY SHEEHAN ARCHITECT 9 WALL STREET CHARLESTOWN, MA. 02129
RENOVATIONS AT 23 RUTLAND SQUARE BOSTON, MA.
<small>START DATE: 5/10/23 DRAWN BY: TS SCALE: 1/8" = 1'-0" PROJECT #: 2023-12</small>
A2a



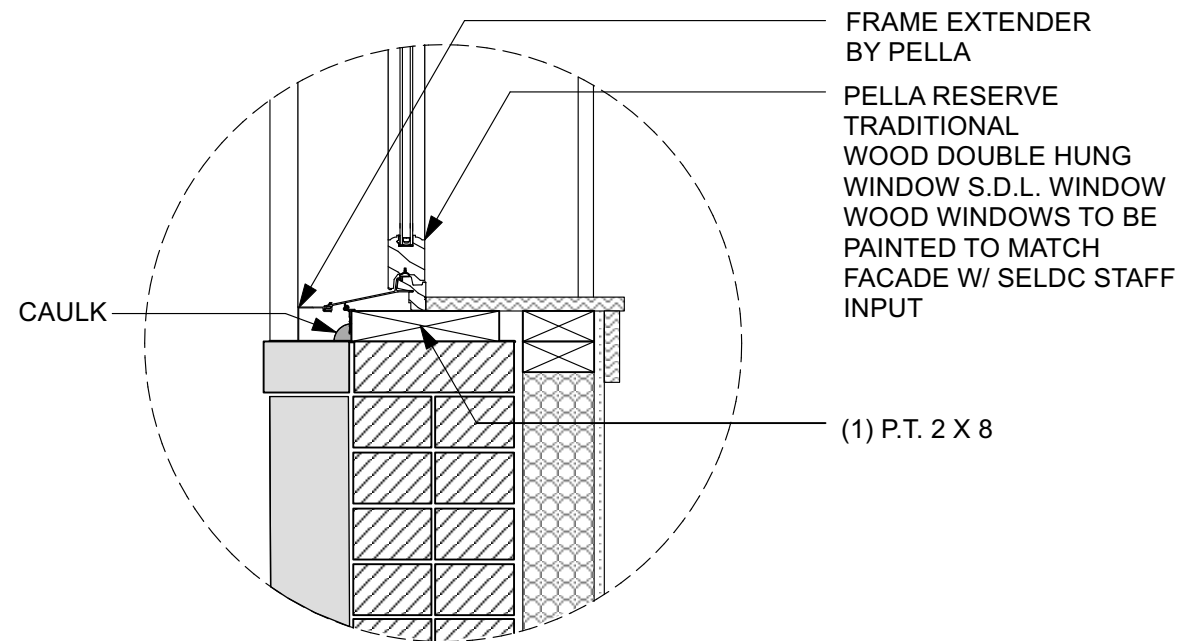
WINDOW HEAD (MASONRY)

N.T.S.



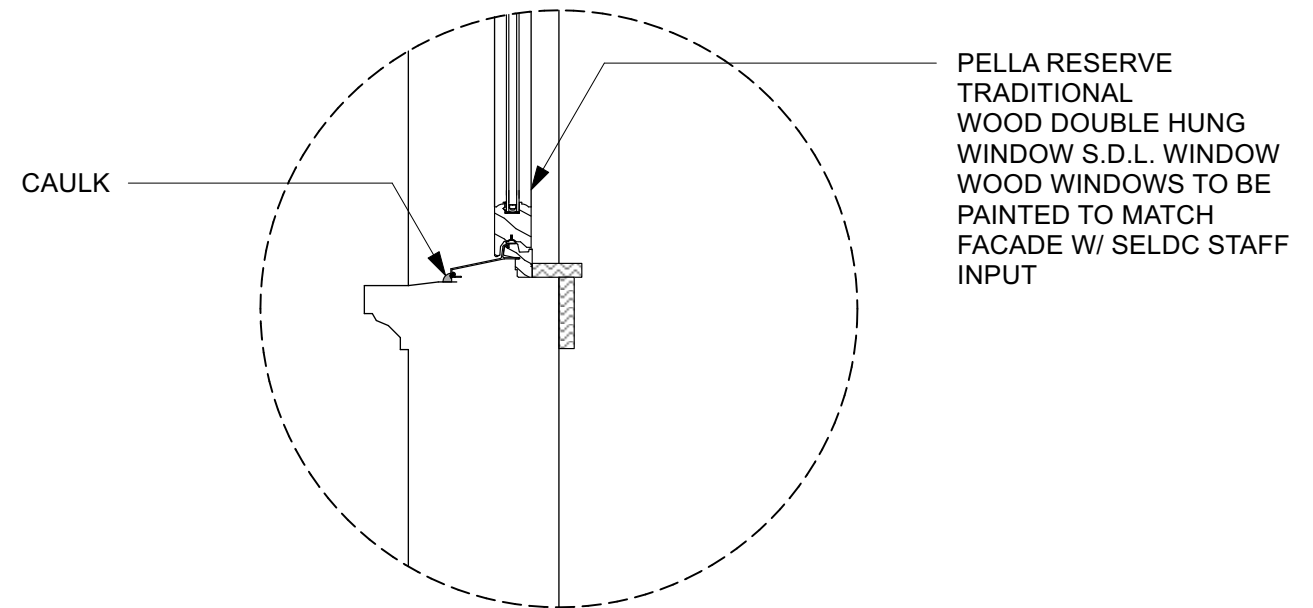
WINDOW HEAD (WOOD BAY)

N.T.S.



WINDOW SILL (MASONRY)

N.T.S.



WINDOW SILL (WOOD BAY)

N.T.S.

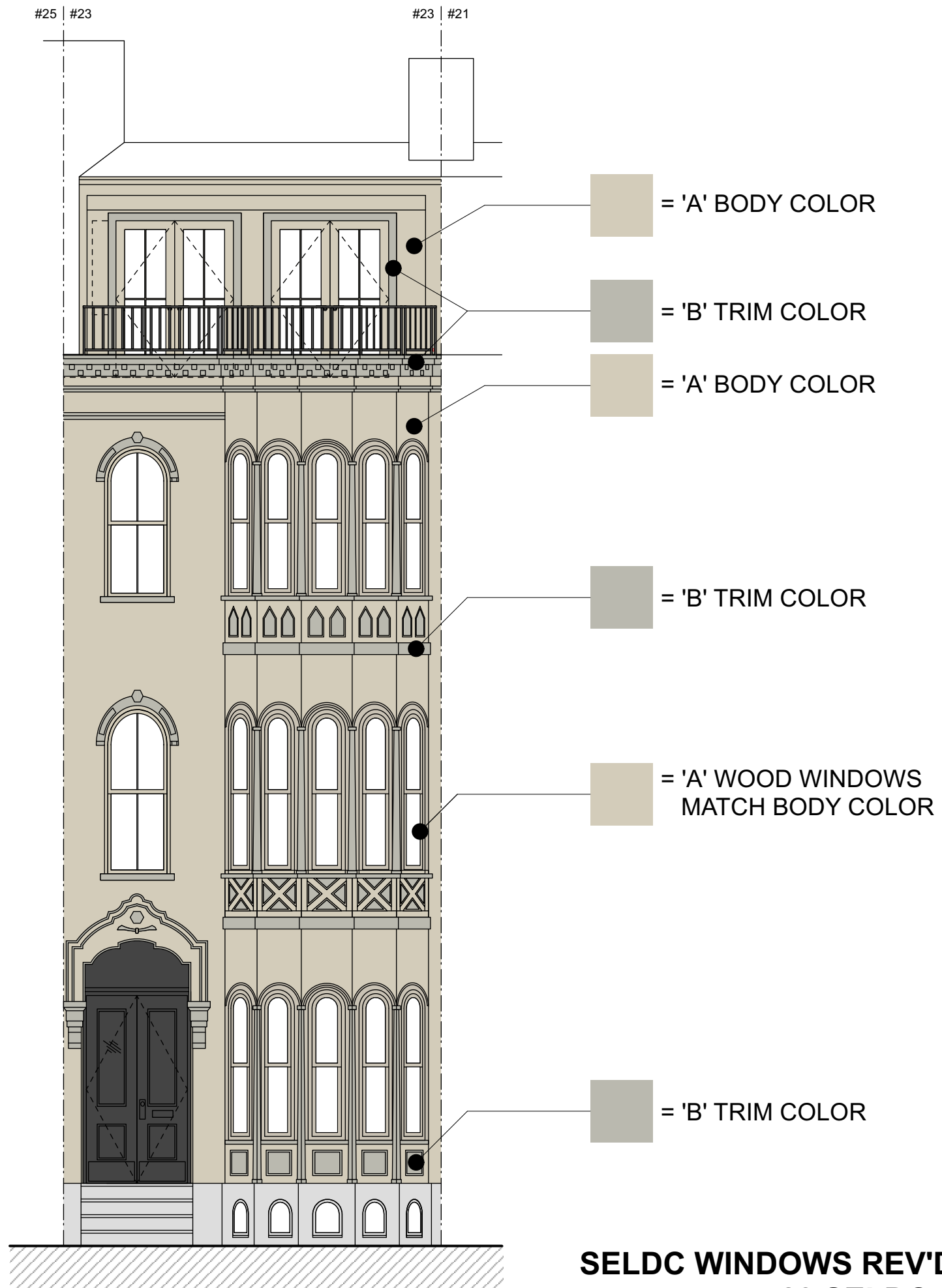
SELDC WINDOW REPLACEMENT

TIMOTHY SHEEHAN ARCHITECT
9 WALL STREET
CHARLESTOWN, MA. 02129

RENOVATIONS AT
23 RUTLAND SQUARE
BOSTON, MA.

START DATE: 5/10/23
DRAWN BY: TS
SCALE: NTS
PROJECT#: 2023-12

A3



**SELDC WINDOWS REV'D 6-17-23
7-5-23 SELDC AGENDA**

SELDC WINDOW
REPLACEMENT

TIMOTHY SHEEHAN ARCHITECT
9 WALL STREET
CHARLESTOWN, MA. 02129

RENOVATIONS AT
23 RUTLAND SQUARE
BOSTON, MA.

START DATE: 5/10/23
DRAWN BY: TS
SCALE: NTS
PROJECT #: 2023-12

A4

Pella® Reserve™

Traditional Wood & Clad/Wood



Exquisitely designed windows and doors with unparalleled historical detailing.

Double-Hung Interior



- Historical details**
 Our most historically authentic line of wood windows and patio doors. Featuring through-stile construction, deliberate proportions and intricate profiles. Pella Reserve - Traditional products are the ideal choice for historical renovations and traditional building projects.
- Authentic hardware**
 Complement your project with historically authentic spoon-lock window hardware. Our Antiek casement window hardware is inspired by period furniture to deliver authentic traditional style.
- Architectural interest**
 Featuring the industry's only foam spacer solution, Pella's Integral Light Technology® grille helps capture the look of true-divided-light without sacrificing energy performance. Further your aesthetic with the putty profile, recreated with historically accurate angles – providing meaningful depth and a realistic shadow. Pella Reserve products offer the industry's deepest sash dimension.
- Virtually unlimited customization**
 If you can dream it, we can build it with our most customizable product line. From extra tall to extra wide, Pella can craft unique windows that complement your aesthetic. Custom sizes, grille patterns and designs, finishes, wood types and glass options are available.
- Tailor-made solutions**
 From preliminary drawings to installation, Pella's expert team of architects, engineers, drafters and consultants can work to deliver custom window and door solutions for your project. Partner with Pella to achieve your unique vision without concessions.
- Intentional innovation**
 Winner of the 2019 Most Innovative Window from Window and Door Magazine, the Integrated Rolscreen® retractable screen preserves aesthetics and the view. It is a double- and single-hung screen that appears when you open the window, and rolls away, out of sight, when you close it.
- Durable interiors and extruded aluminum exteriors**
 To help save you time on the jobsite, interior finish options are available in a variety of paints and stains, or primed and ready-to-paint. To complement your exterior aesthetic, choose from our carefully curated color palette or define your own custom color for your project.
- ENERGY STAR® certified¹**
 Pella wood products offer energy-efficient options that will meet or exceed ENERGY STAR guidelines in all 50 states.
- Testing beyond requirements**
 At Pella, our products are tested beyond requirements to help ensure they have long-lasting performance and reduce call-backs for you.
- Best limited lifetime warranty²**
 Pella Reserve products are covered by the best limited lifetime warranty in the business for wood windows and patio doors.²

Double-Hung Exterior



Available in these window and patio door styles:



Special shape windows also available.

¹² See back cover for disclosures.

Colors

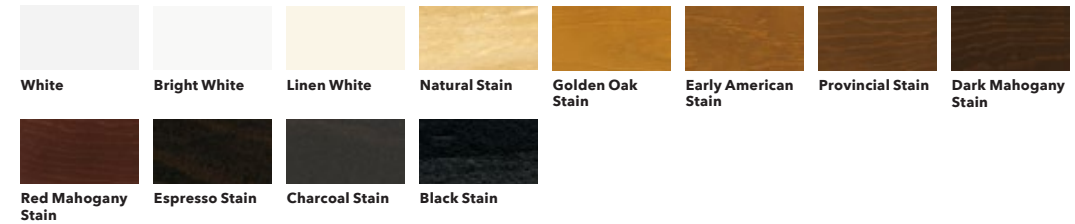
Wood Types

Choose the wood species that best complements your project's interior.



Prefinished Pine Interior Colors

Custom interior finishes, unfinished or primed and ready-to-paint are also available.



Extruded Aluminum-Clad Exterior Colors

Our low-maintenance EnduraClad® exterior finish resists fading. Take durability one step further with EnduraClad Plus which also resists chalking and corrosion.⁷



Custom colors are also available.

Added Peace of Mind

Integrated Security Sensors

Integrated wireless security sensors maintain aesthetics, streamline security installation and ensure no warranty loss is caused by post-installation drilling. Sensors can be monitored via the free Pella® Insynctive® App and are compatible with major security panel systems.⁸ For more information, go to connectpella.com.



The Best Limited Lifetime Warranty in the Industry

We know your reputation matters and you stake your reputation on quality, dependable products. That's why we have the best limited lifetime warranty in the industry for wood windows and patio doors.²

¹ Some Pella products may not meet ENERGY STAR® guidelines in Canada. For more information, contact your local Pella sales representative or go to energystar.gc.ca.
 ² Based on comparing written limited warranties of leading national wood window and wood patio door brands. See written limited warranty for details, including exceptions and limitations, at pella.com/warranty or contact Pella Customer Service.
 ³ Ratings are contingent on product configurations.
 ⁴ Color-matched to your product's interior and exterior color.
 ⁵ Flush multi-slide handle is a Pella exclusive design.
 ⁶ Flush multi-slide handle is not available in Champagne.
 ⁷ EnduraClad Plus protective finish is not available with all colors. See your local Pella sales representative for availability.
 ⁸ Requires the Insynctive App on a smart device, an Insynctive Bridge and a wireless home router with internet connection.

© 2022 PELLA CORPORATION • 102 MAIN STREET • PELLA, IOWA 50219 • PRTB2B0222 • W144299

SELDC WINDOWS REV'D 6-17-23
7-5-23 SELDC AGENDA

SELDC WINDOW
REPLACEMENT

TIMOTHY SHEEHAN ARCHITECT
 9 WALL STREET
 CHARLESTOWN, MA. 02129

RENOVATIONS AT
 23 RUTLAND SQUARE
 BOSTON, MA.

START DATE: 5/10/23
 DRAWN BY: TS
 SCALE: NTS
 PROJECT #: 2023-12

A5

Product Specifications

Window & Patio Door Styles	Min. Width	Min. Height	Max. Width	Max. Height	Performance Class & Grade	Performance Values			Frame / Install
						U-Factor	SHGC	STC	
Awning	13-3/4"	13-3/4"	59"	59"	LC40-CW50	0.25-0.29	0.18-0.47	27-35	Fold-out Fin, Block Frame, EnduraClad Exterior Trim / Brickmould
Precision Fit Awning	17"	17"	53"	29"	R45-CW50	0.28-0.32	0.18-0.47	27-30	Pocket Replacement
Casement	13-3/4"	13-3/4"	47"	108"	R35-CW50	0.25-0.29	0.18-0.47	27-34	Fold-out Fin, Block Frame, EnduraClad Exterior Trim / Brickmould
Precision Fit Casement	17"	17"	35"	73"	R35-CW50	0.28-0.33	0.18-0.47	27-30	Pocket Replacement
Fixed Casement	10"	10"	144"	144"	R35-CW50	0.25-0.29	0.18-0.47	27-35	Fold-out Fin, Block Frame, EnduraClad Exterior Trim / Brickmould
Precision Fit Fixed Casement	17"	17"	59"	73"	R45-CW50	0.28-0.33	0.18-0.47	27-30	Pocket Replacement
Double-Hung	14"	24-3/8"	48"	96"	CW30-CW50	0.25-0.30	0.19-0.53	28-35	Fold-out Fin, Block Frame, EnduraClad Exterior Trim / Brickmould
Precision Fit Double-Hung	13-1/2"	23-3/4"	48"	84"	CW40-CW50	0.25-0.31	0.19-0.53	26-30	Pocket Replacement
Monumental Hung	13-3/4"	24"	72"	144"	LC25-CW50	0.25-0.30	0.17-0.47	29-34	Fold-out Fin, Block Frame, EnduraClad Exterior Trim / Brickmould
In-Swing Hinged Patio Door (Single)	18"	36"	48"	199-1/2"	LC40-LC55	0.25-0.29	0.14-0.40	31-35	
In-Swing Hinged Patio Door (Double)	36"	36"	96"	119-1/2"	LC40-LC55	0.25-0.29	0.14-0.40	31-35	
Out-Swing Hinged Patio Door (Single)	18"	36"	48"	119-1/2"	R50-LC70	0.25-0.30	0.14-0.39	30-36	
Out-Swing Hinged Patio Door (Double)	36"	36"	96"	119-1/2"	R50-LC70	0.25-0.30	0.14-0.39	30-36	
Sliding Patio Door (O)	30-3/4"	74"	60-3/4"	119-1/2"	LC40-LC70	0.29-0.32	0.15-0.42	-	
Sliding Patio Door (OX, XO)	59-1/4"	74"	119-1/2"	119-1/2"	LC35-LC65	0.29-0.32	0.15-0.42	29-35	
Sliding Patio Door (OXO)	90"	74"	180"	119-1/2"	LC30-LC45	0.29-0.32	0.15-0.42	-	
Sliding Patio Door (OXXO)	116-1/8"	74"	236-1/8"	119-1/2"	LC25-LC40	0.29-0.32	0.15-0.42	-	
Multi-Slide Patio Door	40-1/4"	50-1/2"	701-5/8"	119-1/2"	R15-LC25 ⁵	0.30-0.36	0.15-0.46	31	
Bifold Patio Door	31-3/4"	55-1/2"	312"	119-1/2"	R15-LC25 ⁵	0.26-0.44	0.13-0.45	-	For more info visit PellaADM.com

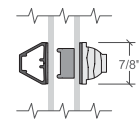
Window sizes available in 1/8" increments

Special sizes available. For more information regarding performance, visit pella.com/performance. For more information regarding frame and installation types, visit PellaADM.com.

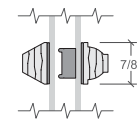
Grilles

Integral Light Technology*

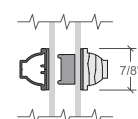
Choose the look of true divided light featuring the industry's only foam spacer.



Putty Glaze Exterior with Ogee Interior⁴
7/8", 1-1/4" or 2"



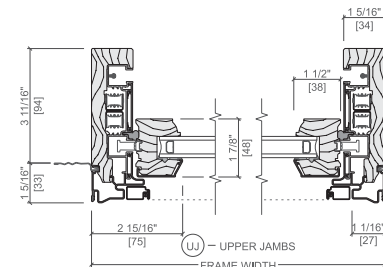
Putty Glaze Exterior with Ogee Interior⁴
7/8", 1-1/4" or 2"



Ogee Exterior with Ogee Interior⁴
7/8", 1-1/4" or 2"

Cross Sections

Cross Sections



Optional Fold-out Installation Fin

The double-hung cross sections provide visual reference to the historic putty exterior profile and traditional, beveled Ogee interior that add architectural interest to your project.

³⁴ See back cover for disclosures.

Window Hardware

Classic Collection

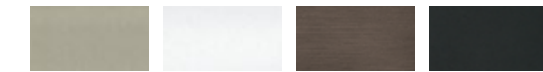
Get a timeless look with authentic styles in classic finishes.



Fold-away Crank
Antiek

Spoon-Style Lock

Finishes:



Champagne

White

Brown

Matte Black



Oil-Rubbed Bronze

Satin Nickel

Satin Brass

Rustic Collection

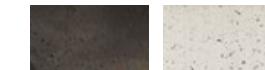
Create a distinct and charming look with distressed finishes.



Fold-away Crank
Antiek

Spoon-Style Lock

Finishes:



Distressed Bronze

Distressed Nickel

Essential Collection

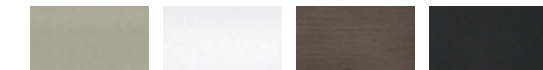
Select from popular designs and finishes to suit every style.



Fold-away Crank

Cam-Action Lock

Finishes:

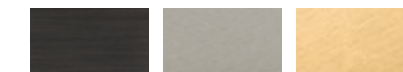


Champagne

White

Brown

Matte Black



Oil-Rubbed Bronze

Satin Nickel

Satin Brass

Patio Door Hardware

Classic Collection

Choose timeless pieces, created in collaboration with Baldwin® Hardware, for a look that will never go out of style.

BALDWIN



Hinged & Bifold
Patio Door Handle
Virago

Sliding & Multi-Slide
Patio Door Handle
Ambrose

Multi-Slide Patio
Door Handle^{5,4}

Finishes:



Matte Black

Oil-Rubbed Bronze

Satin Nickel

Satin Brass

Essential Collection

Elevate your style and transform a home with elegant selections.



Hinged & Bifold
Patio Door Handle
Standard

Sliding Patio
Door Handle
Standard

Multi-Slide Patio
Door Handle^{5,4}

Finishes:

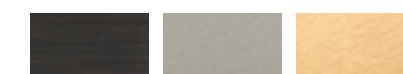


Champagne

White

Brown

Matte Black



Oil-Rubbed Bronze

Satin Nickel

Satin Brass

Additional hardware collections available. Visit PellaADM.com for more information.

^{5,4} See back cover for disclosures.

SELDC WINDOW
REPLACEMENT

TIMOTHY SHEEHAN ARCHITECT
9 WALL STREET
CHARLESTOWN, MA. 02129

RENOVATIONS AT
23 RUTLAND SQUARE
BOSTON, MA.

START DATE: 5/10/23
DRAWN BY: TS
SCALE: NTS
PROJECT #: 2023-12

A6

SELDC WINDOWS REV'D 6-17-23
7-5-23 SELDC AGENDA