

PROJECT:

ROOF DECK INSTALLATION 362 COMMONWEALTH AVE CONDOS

362 COMMONWEALTH AVE
BOSTON, MA 02115

PHASE: FOR CONSTRUCTION

CLIENT:

DRAWING LIST:

BRIGS, LLC
185 DUDLEY ST
BOSTON, MA 02219

ARCHITECTURAL

CONSULTANT:

G-001	GENERAL REFERENCE SHEET
A-101	ROOF DECK PLAN
A-102	EXISTING JOIST LOCATIONS
A-201	OVERALL DECK DESIGN
A-202, A-202a, A-202b, A-202c	DECK JOIST AND SLEEPER PLANS
A-301, A-302, A-303, A-304	BUILDING ELEVATIONS
A-501, A-502	DESIGN DETAILS
E-101, E-102, E-103	EGRESS PLANS



**BUILDING RECON
SERVICES**

371 DORCHESTER AVE
BOSTON, MA 02127
PHONE: 617-464-4260
FAX: 617-464-4160

362 COMMONWEALTH
AVE ROOF DECK
INSTALLATION

362 COMMONWEALTH AVE
BOSTON, MA 02115

CONSULTANT:



**BUILDING RECON
SERVICES**

371 DORCHESTER AVE
BOSTON, MA 02127
PHONE: 617-464-4260
FAX: 617-464-4160
WEBSITE: www.brsinfo.com

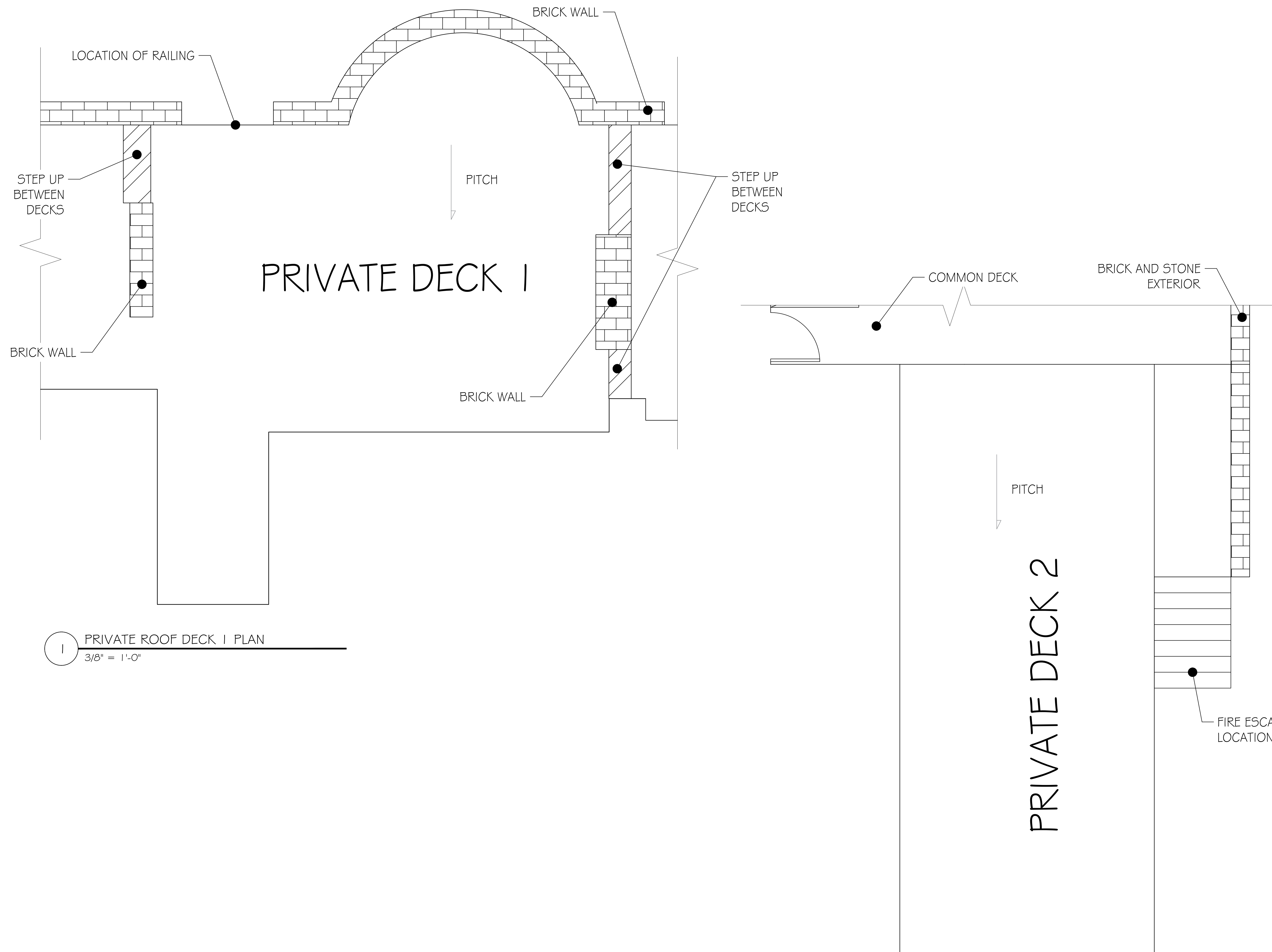
No.	Description	Date

EXISTING ROOF
DECK PLAN

Project number	15249
Date	5/19/2026
Drawn by	AS
Checked by	JK

A-101

Scale AS NOTED



1 PRIVATE ROOF DECK 1 PLAN
3/8" = 1'-0"

2 PRIVATE ROOF DECK 2 PLAN
3/8" = 1'-0"

362 COMMONWEALTH
AVE ROOF DECK
INSTALLATION

362 COMMONWEALTH AVE
BOSTON, MA 02115

CONSULTANT:



**BUILDING RECON
SERVICES**

371 DORCHESTER AVE
BOSTON, MA 02127
PHONE: 617-464-4260
FAX: 617-464-4160
WEBSITE: www.brsinfo.com

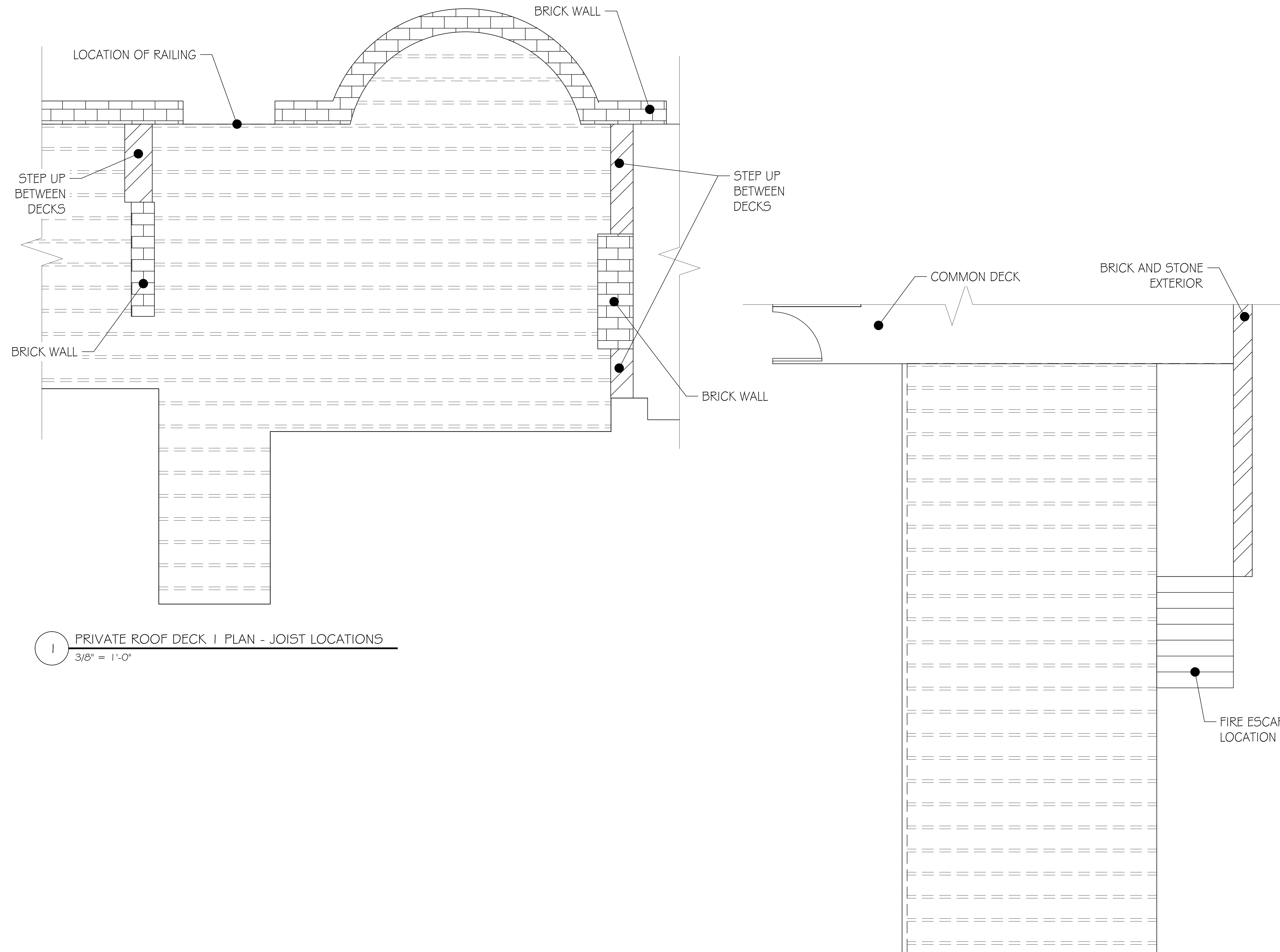
No.	Description	Date

EXISTING JOIST
LOCATIONS PLAN

Project number	15249
Date	5/19/2026
Drawn by	AS
Checked by	JK

A-102

Scale AS NOTED



1 PRIVATE ROOF DECK 1 PLAN - JOIST LOCATIONS
3/8" = 1'-0"

2 PRIVATE ROOF DECK 2 PLAN - JOIST LOCATIONS
3/8" = 1'-0"

362 COMMONWEALTH
AVE ROOF DECK
INSTALLATION

362 COMMONWEALTH AVE
BOSTON, MA 02115

CONSULTANT:



**BUILDING RECON
SERVICES**

371 DORCHESTER AVE
BOSTON, MA 02127
PHONE: 617-464-4260
FAX: 617-464-4160
WEBSITE: www.brsinfo.com

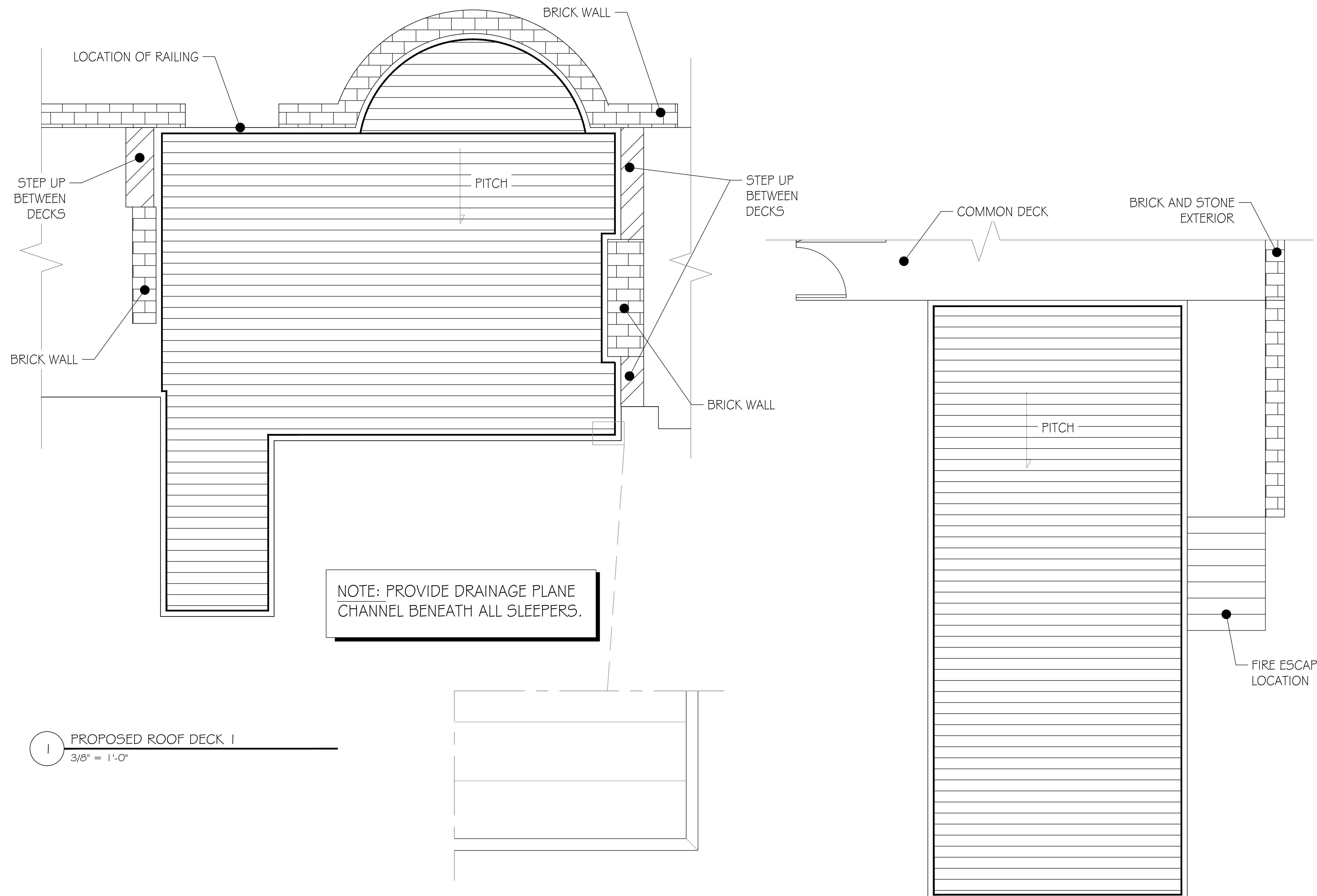
No.	Description	Date

OVERALL DECK
DESIGN PLAN

Project number	15249
Date	5/19/2026
Drawn by	AS
Checked by	JK

A-201

Scale AS NOTED



1 PROPOSED ROOF DECK 1
3/8" = 1'-0"

2 CORNER DETAIL @ DECKING
3" = 1'-0"

3 PROPOSED ROOF DECK 2
3/8" = 1'-0"

362 COMMONWEALTH
AVE ROOF DECK
INSTALLATION

362 COMMONWEALTH AVE
BOSTON, MA 02115

CONSULTANT:



**BUILDING RECON
SERVICES**

371 DORCHESTER AVE
BOSTON, MA 02127
PHONE: 617-464-4260
FAX: 617-464-4160
WEBSITE: www.brsinfo.com

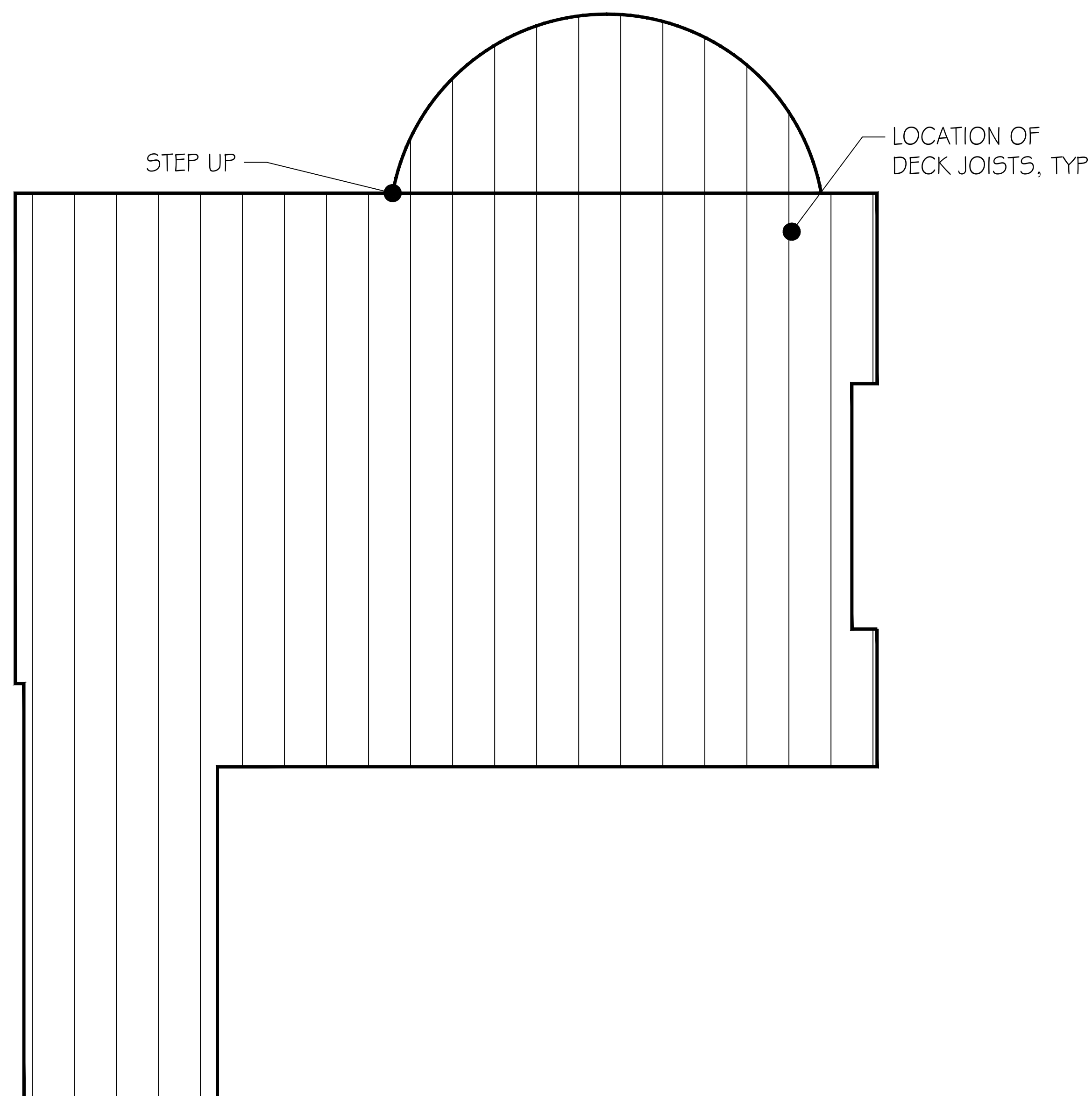
No.	Description	Date

DECK JOISTS
DESIGN PLAN

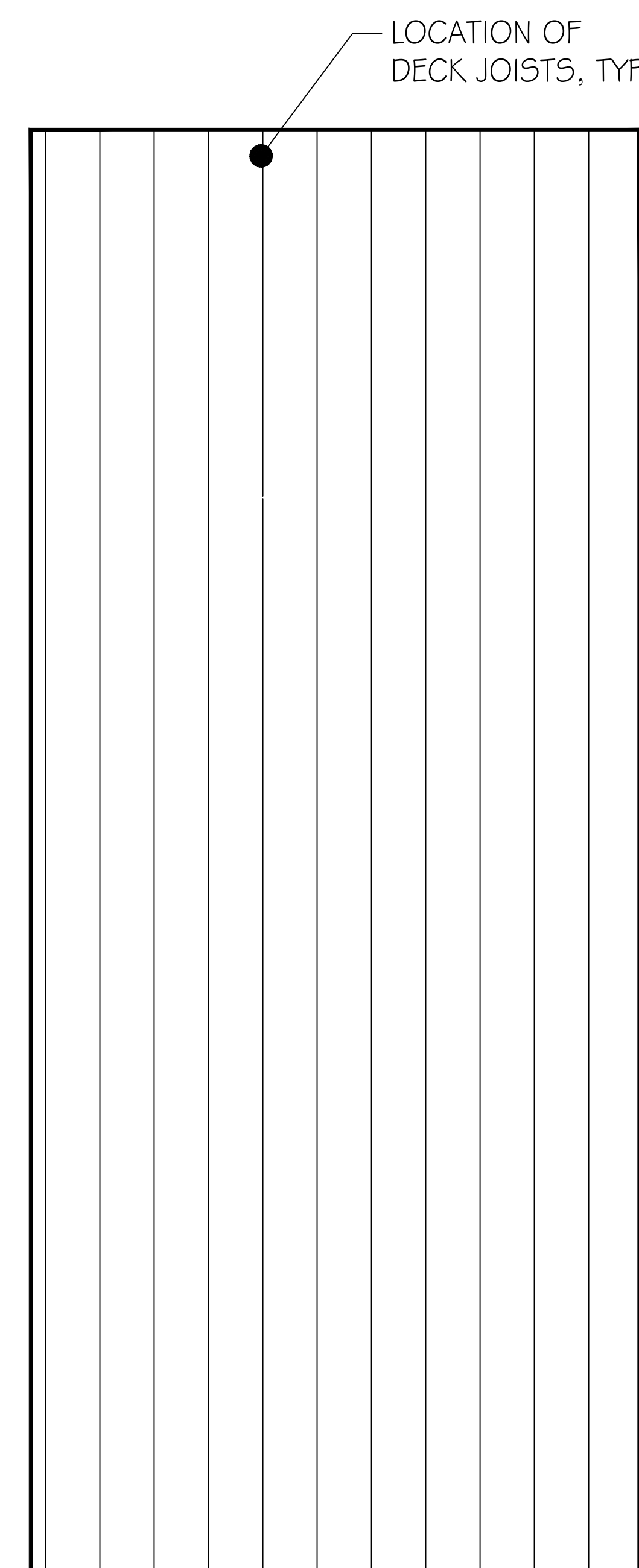
Project number	15249
Date	5/19/2026
Drawn by	AS
Checked by	JK

A-202a

Scale AS NOTED



1 PROPOSED ROOF DECK 1
3/8" = 1'-0"



2 PROPOSED ROOF DECK 2
3/8" = 1'-0"

362 COMMONWEALTH
AVE ROOF DECK
INSTALLATION

362 COMMONWEALTH AVE
BOSTON, MA 02115

CONSULTANT:



**BUILDING RECON
SERVICES**

371 DORCHESTER AVE
BOSTON, MA 02127
PHONE: 617-464-4260
FAX: 617-464-4160
WEBSITE: www.brsinfo.com

No.	Description	Date

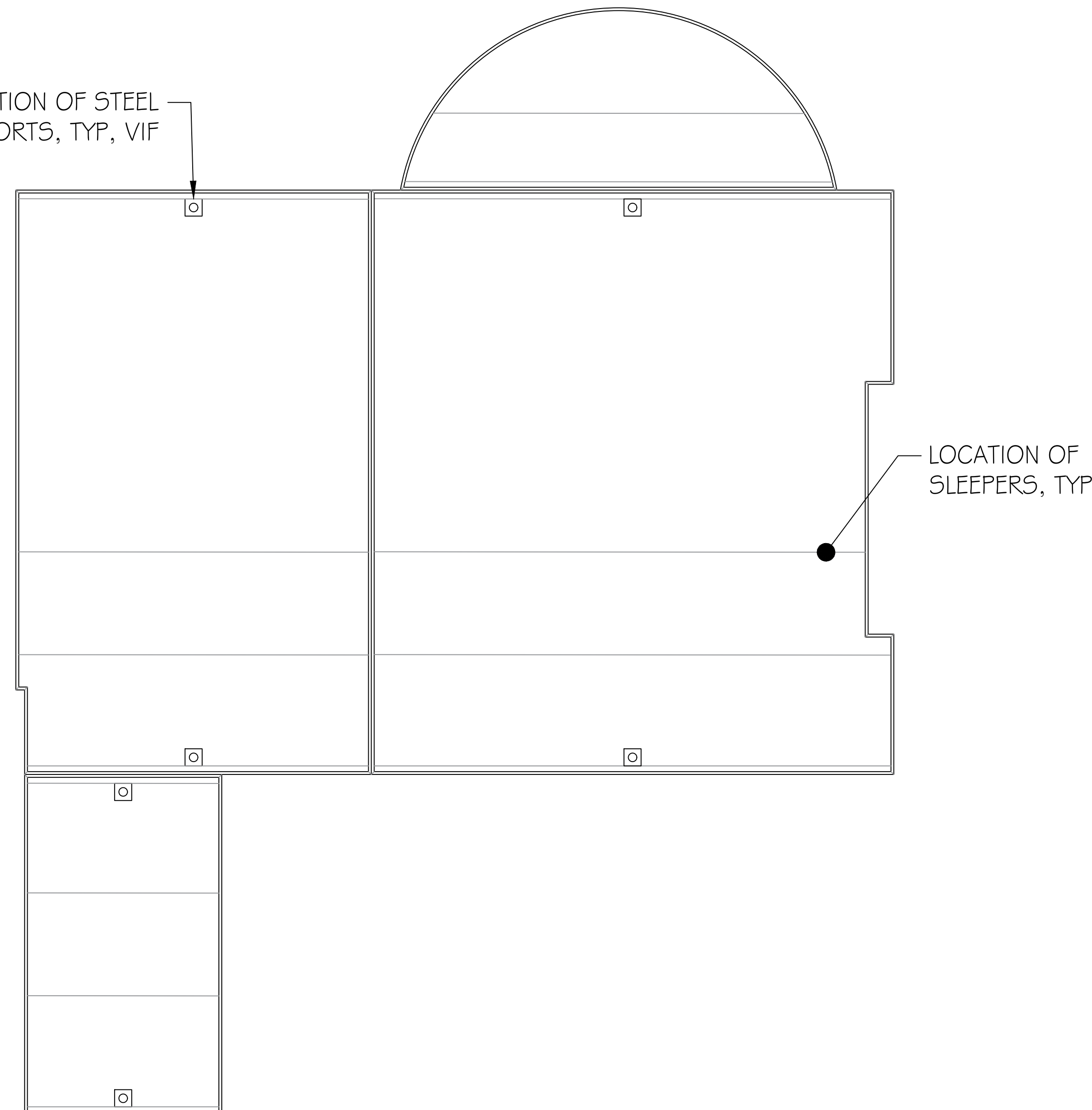
DECK SLEEPER
DESIGN PLAN

Project number	15249
Date	5/19/2026
Drawn by	AS
Checked by	JK

A-202b

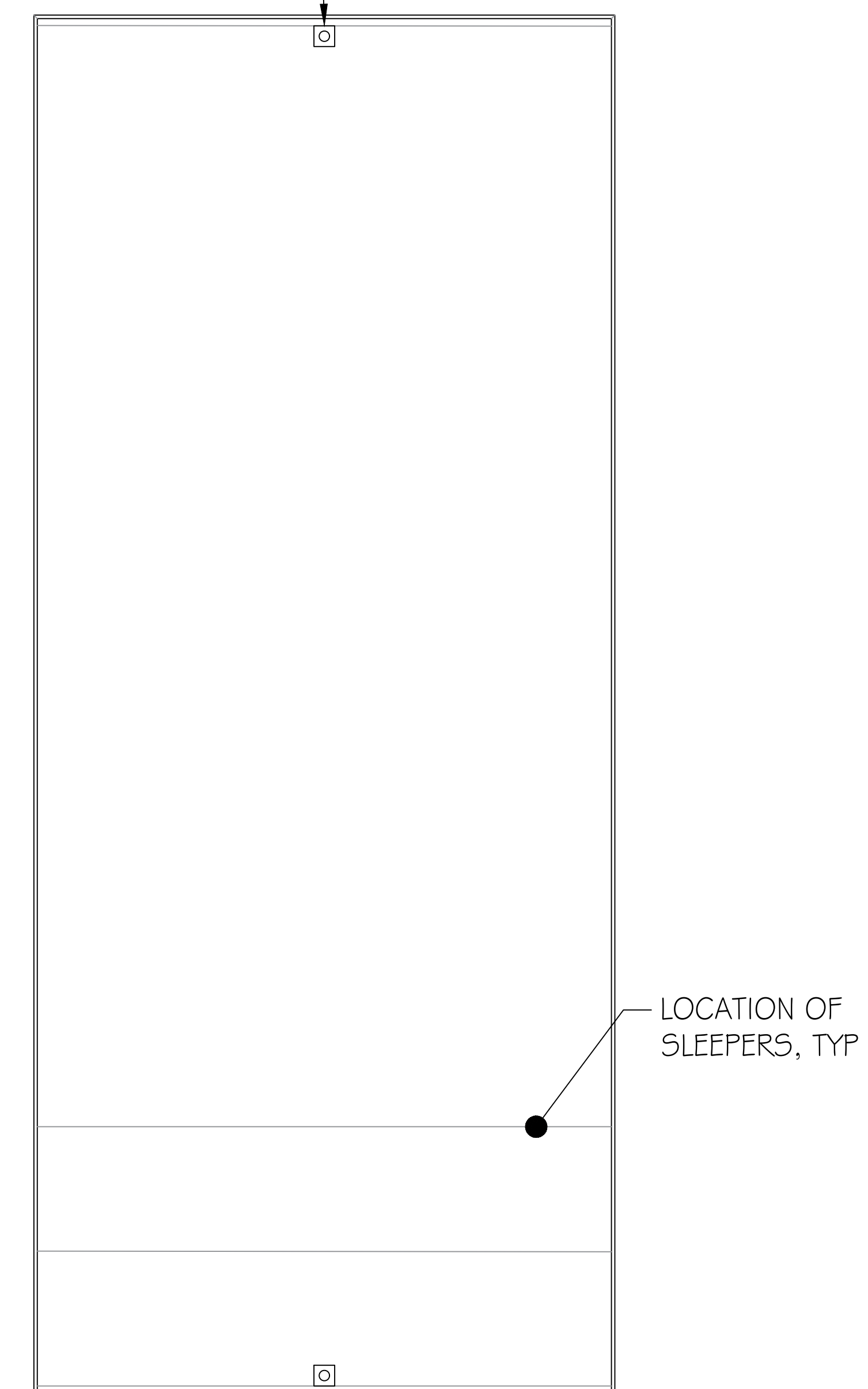
Scale AS NOTED

LOCATION OF STEEL
SUPPORTS, TYP, VIF



1 PROPOSED ROOF DECK 1
3/8" = 1'-0"

LOCATION OF STEEL
SUPPORTS, TYP, VIF



2 PROPOSED ROOF DECK 2
3/8" = 1'-0"

362 COMMONWEALTH
AVE ROOF DECK
INSTALLATION

362 COMMONWEALTH AVE
BOSTON, MA 02115

CONSULTANT:



**BUILDING RECON
SERVICES**

371 DORCHESTER AVE
BOSTON, MA 02127
PHONE: 617-464-4260
FAX: 617-464-4160
WEBSITE: www.brsinfo.com

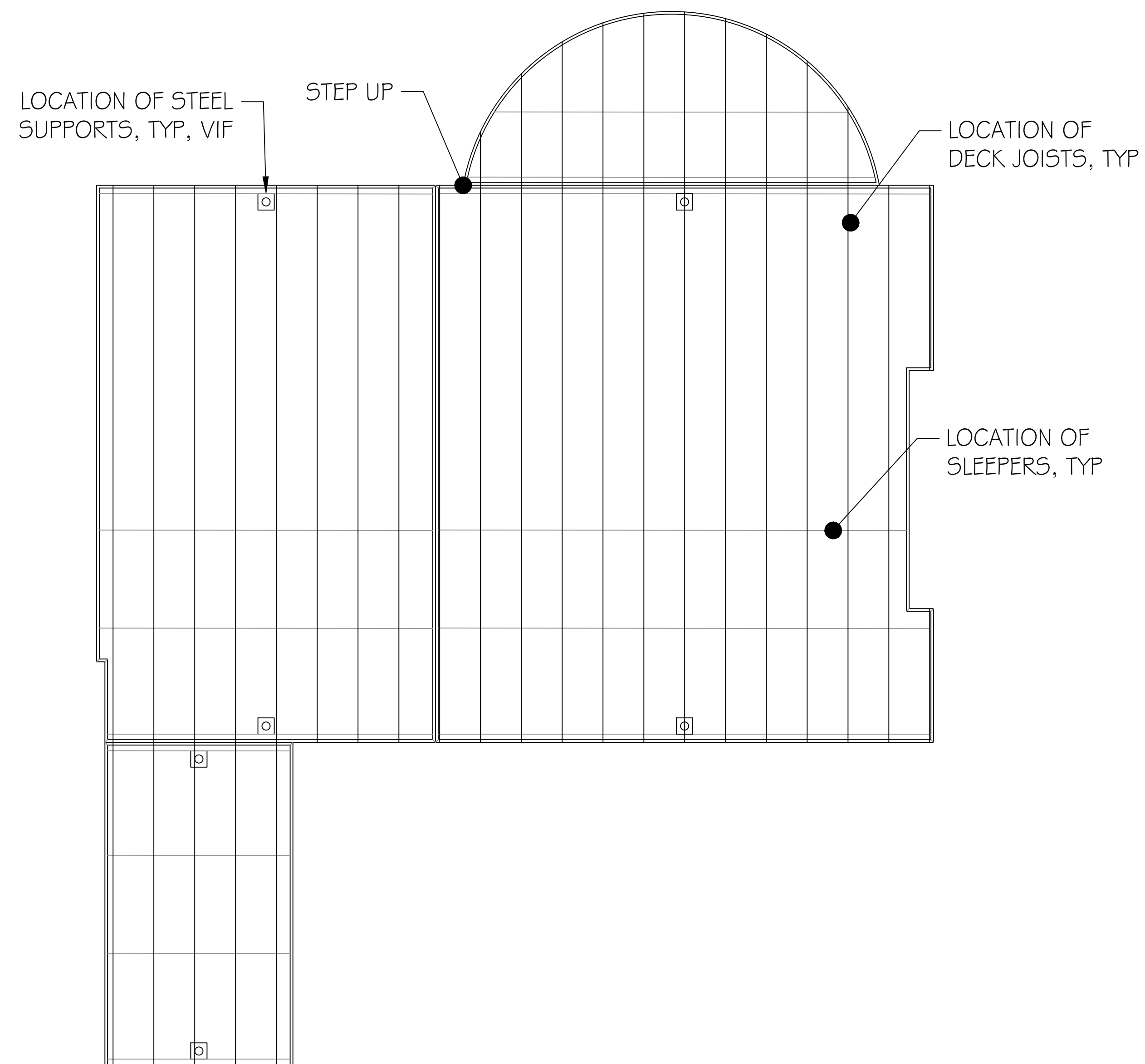
No.	Description	Date

DECK SLEEPER
& DECK JOIST
DESIGN PLAN

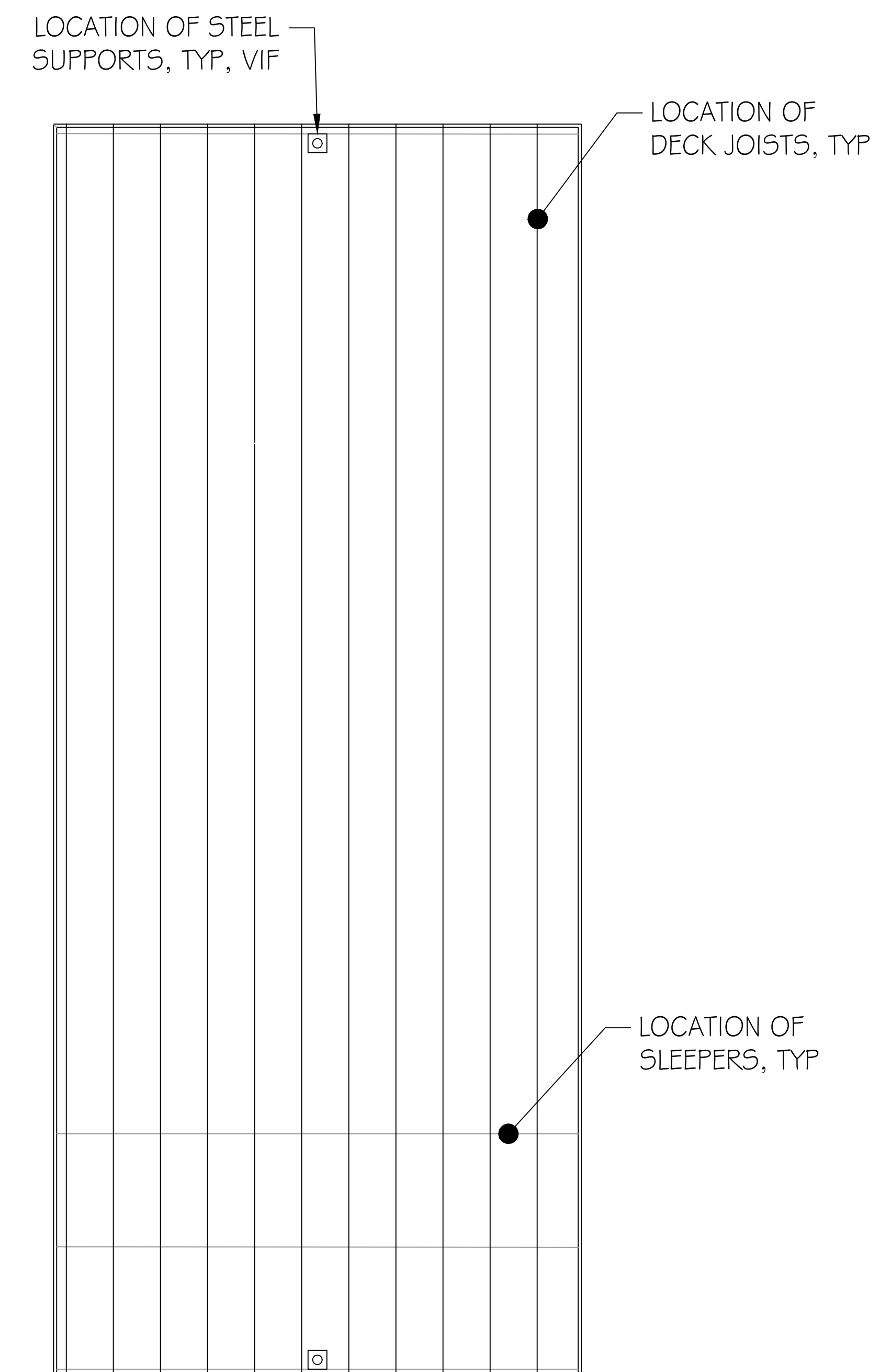
Project number	15249
Date	5/19/2026
Drawn by	AS
Checked by	JK

A-202c

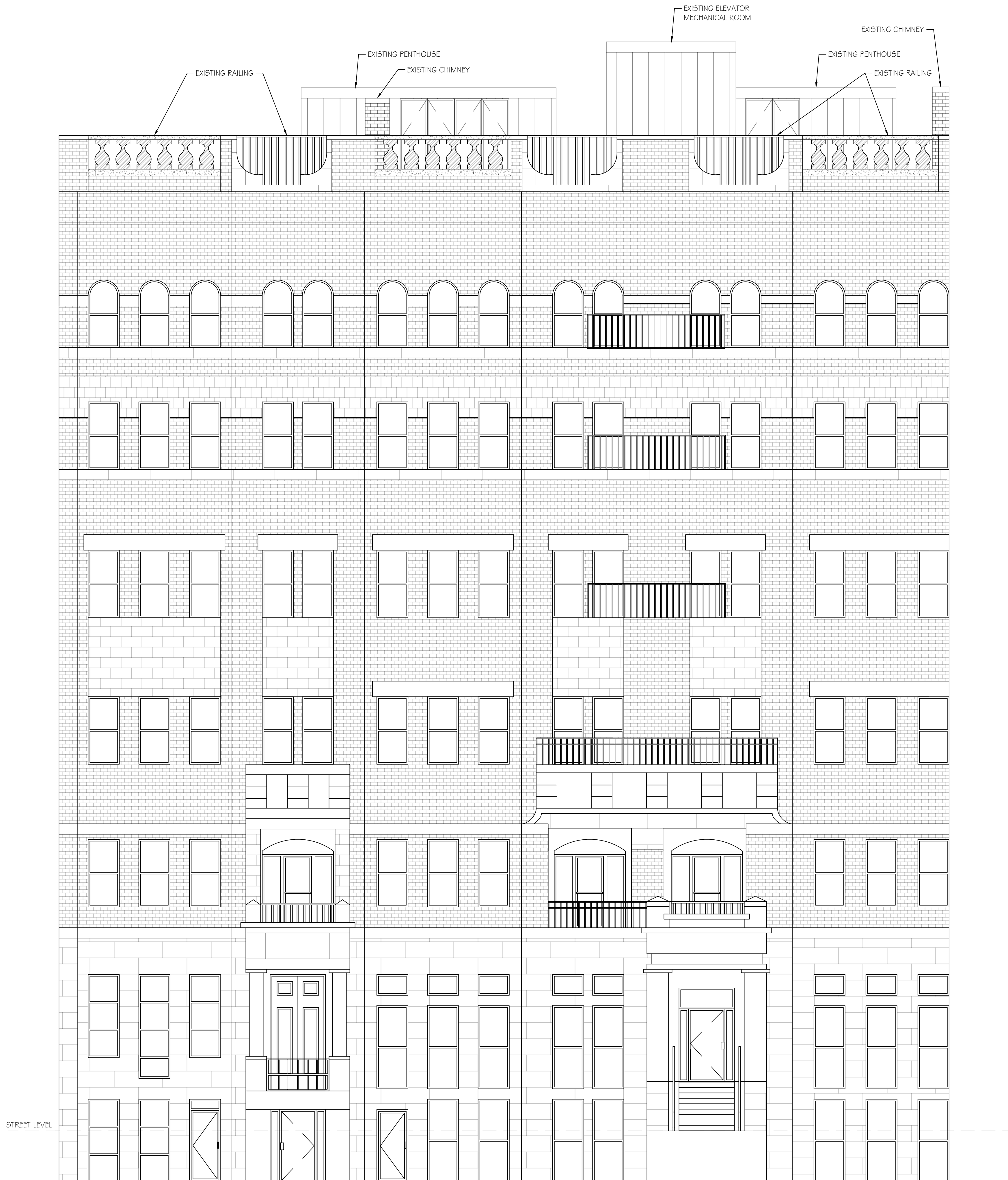
Scale AS NOTED



1 PROPOSED ROOF DECK 1
3/8" = 1'-0"



2 PROPOSED ROOF DECK 2
3/8" = 1'-0"



1 NORTH ELEVATION
NOT TO SCALE

362 COMMONWEALTH
AVE ROOF DECK
INSTALLATION

362 COMMONWEALTH AVE
BOSTON, MA 02115

CONSULTANT:



**BUILDING RECON
SERVICES**

371 DORCHESTER AVE
BOSTON, MA 02127
PHONE: 617-464-4260
FAX: 617-464-4160
WEBSITE: www.brsinfo.com

No.	Description	Date

NORTH ELEVATION

Project number	15249
Date	5/19/2026
Drawn by	AS
Checked by	JK

A-301

Scale AS NOTED



1 WEST ELEVATION
NOT TO SCALE

362 COMMONWEALTH
AVE ROOF DECK
INSTALLATION

362 COMMONWEALTH AVE
BOSTON, MA 02115

CONSULTANT:



**BUILDING RECON
SERVICES**

371 DORCHESTER AVE
BOSTON, MA 02127
PHONE: 617-464-4260
FAX: 617-464-4160
WEBSITE: www.brsinfo.com

No.	Description	Date

WEST ELEVATION

Project number	15249
Date	5/19/2026
Drawn by	AS
Checked by	JK

A-302

Scale AS NOTED

362 COMMONWEALTH
AVE ROOF DECK
INSTALLATION

362 COMMONWEALTH AVE
BOSTON, MA 02115

CONSULTANT:



**BUILDING RECON
SERVICES**

371 DORCHESTER AVE
BOSTON, MA 02127
PHONE: 617-464-4260
FAX: 617-464-4160
WEBSITE: www.brsinfo.com

No.	Description	Date

EAST ELEVATION

Project number	15249
Date	5/19/2026
Drawn by	AS
Checked by	JK

A-304

Scale AS NOTED



I EAST ELEVATION
NOT TO SCALE

362 COMMONWEALTH
AVE ROOF DECK
INSTALLATION

362 COMMONWEALTH AVE
BOSTON, MA 02115

CONSULTANT:



**BUILDING RECON
SERVICES**

371 DORCHESTER AVE
BOSTON, MA 02127
PHONE: 617-464-4260
FAX: 617-464-4160
WEBSITE: www.brsinfo.com

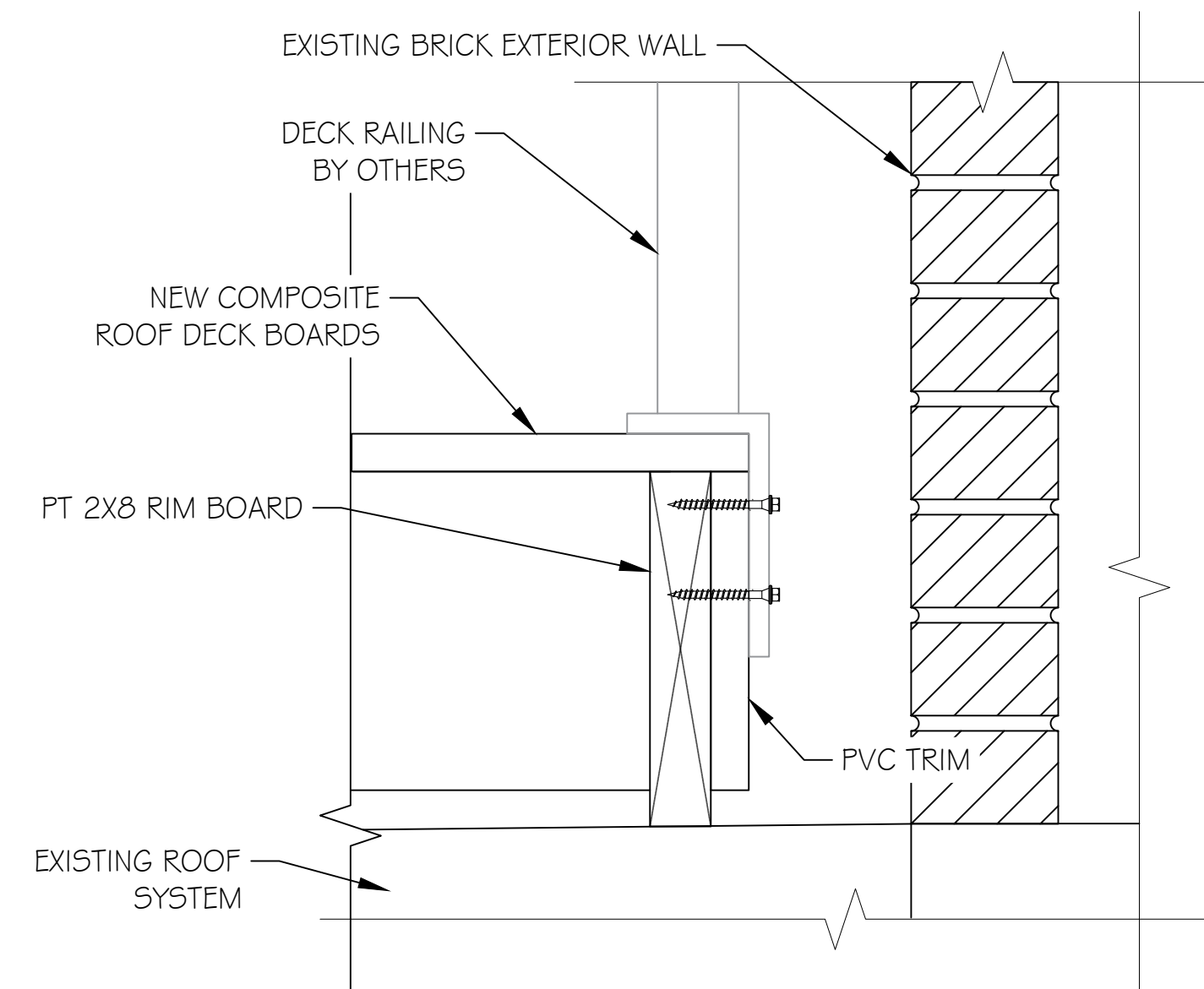
No.	Description	Date

DESIGN DETAILS

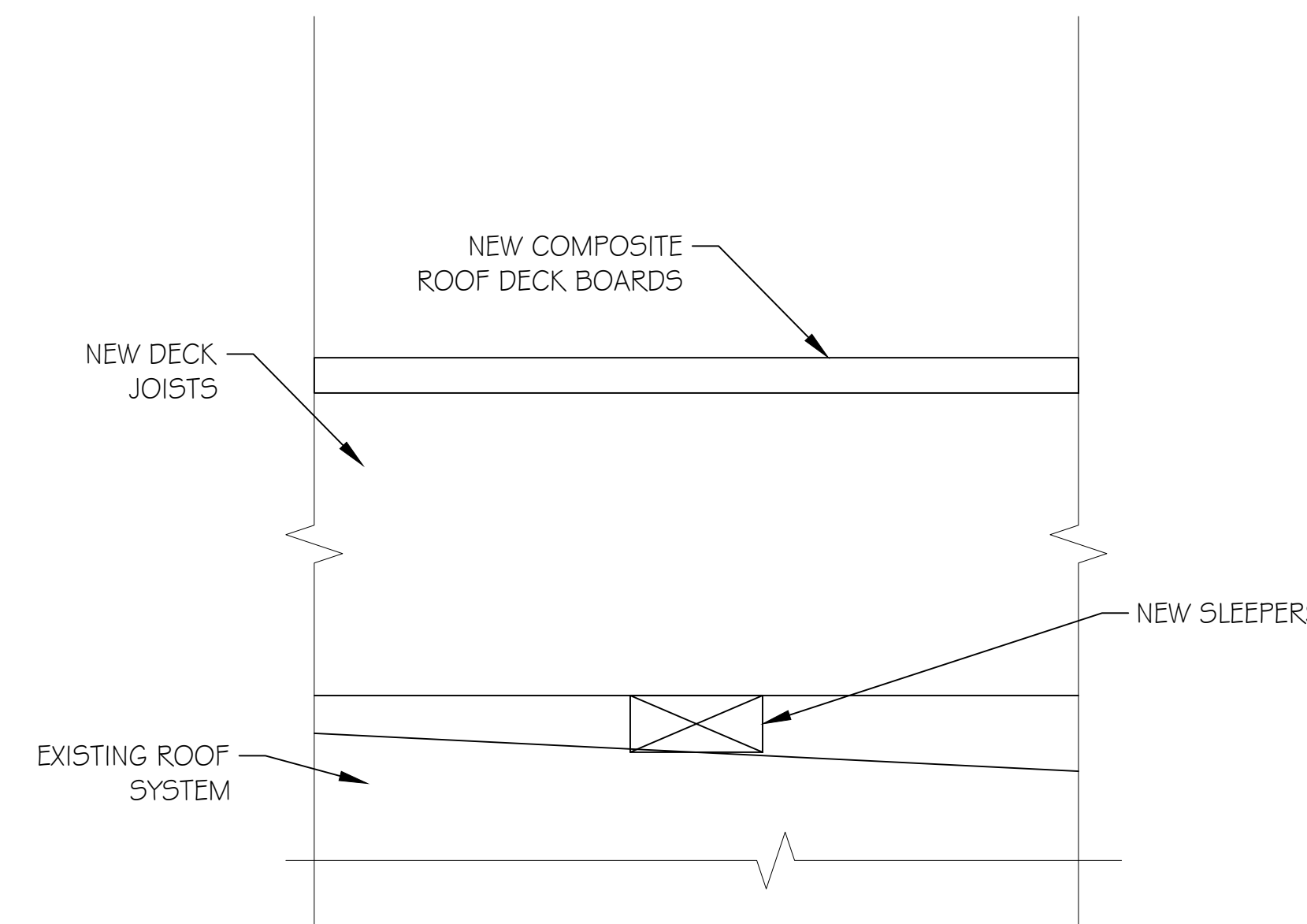
Project number	15249
Date	5/19/2026
Drawn by	AS
Checked by	JK

A-501

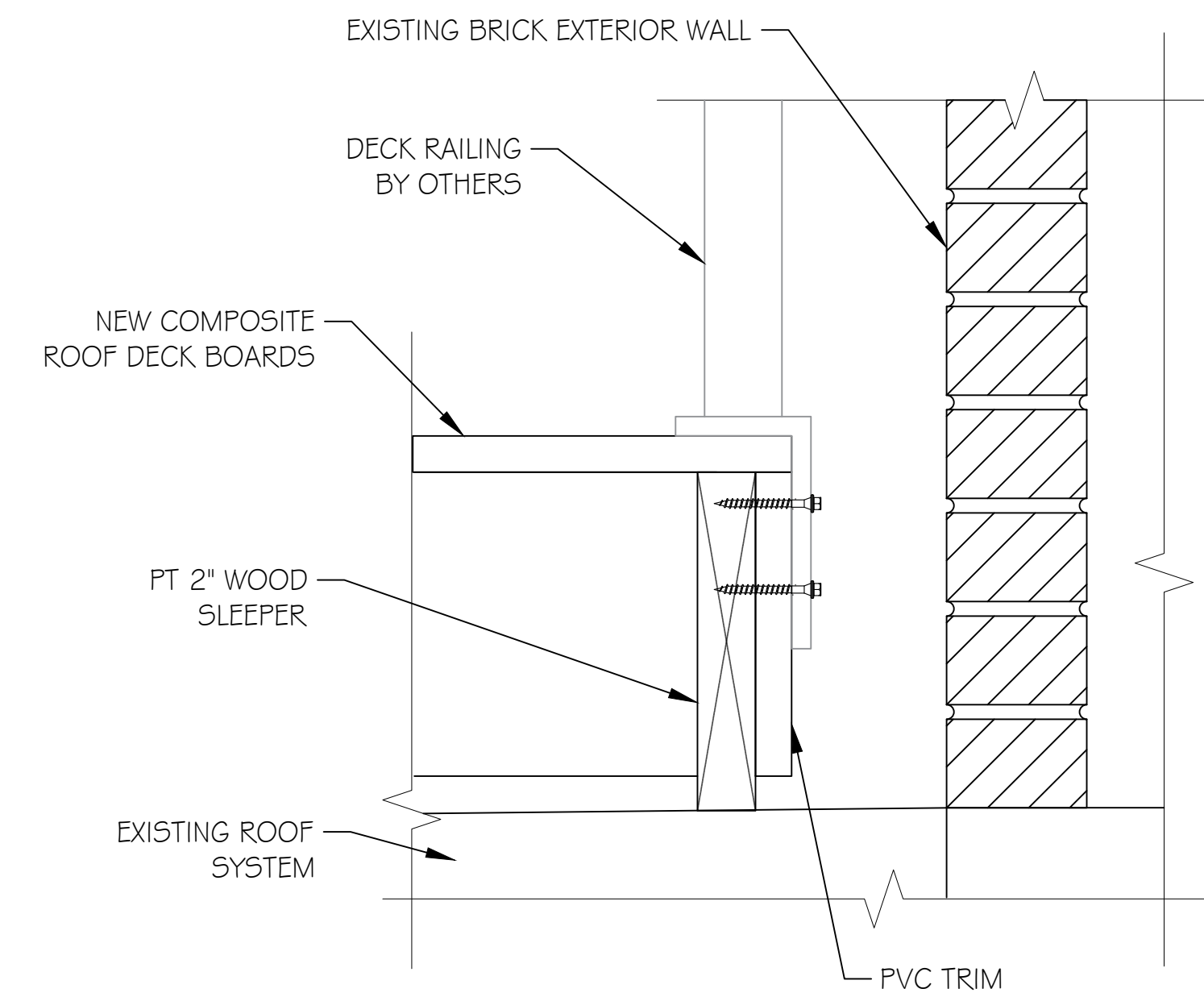
Scale AS NOTED



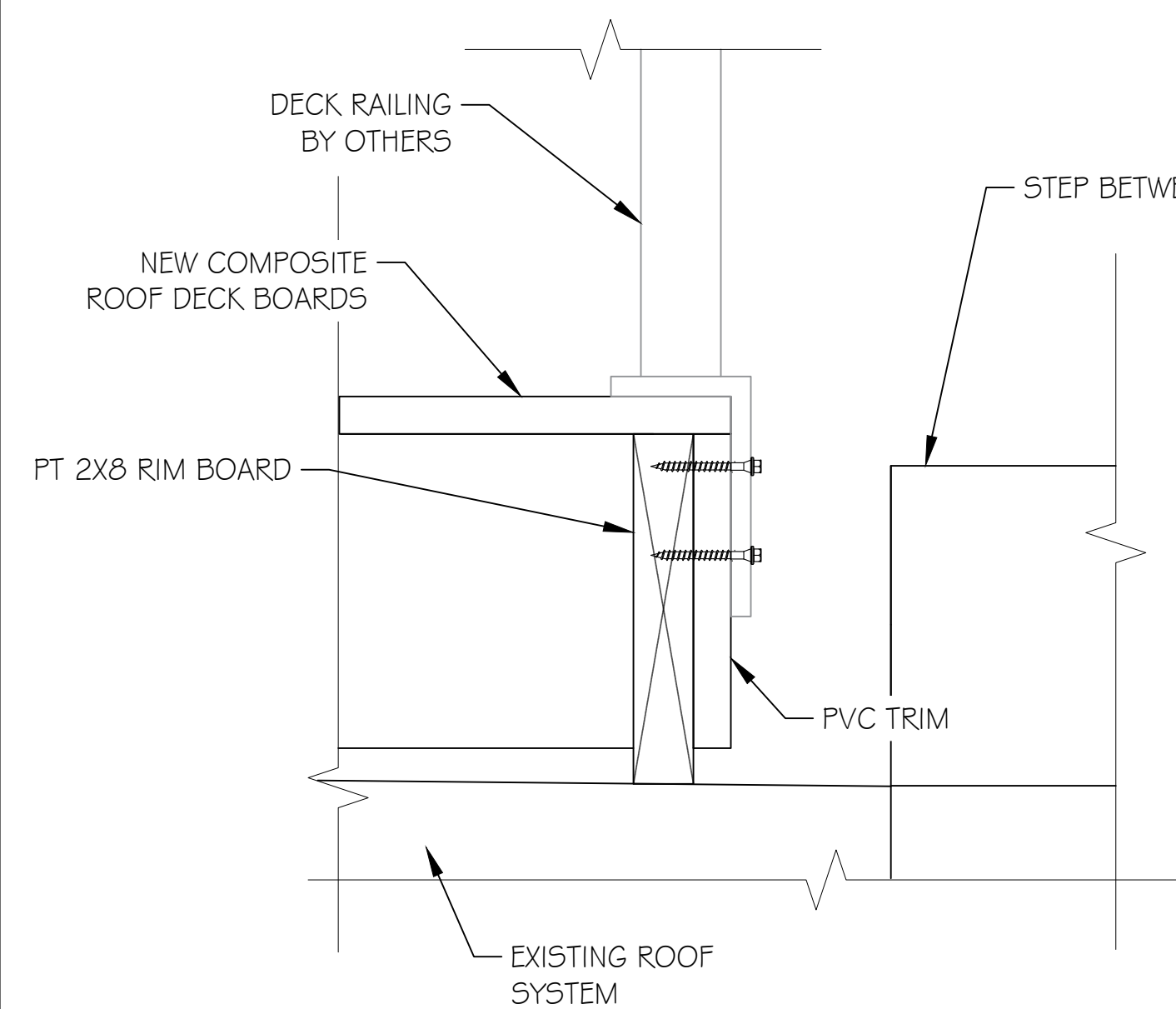
3 DETAIL
3" = 1'-0"



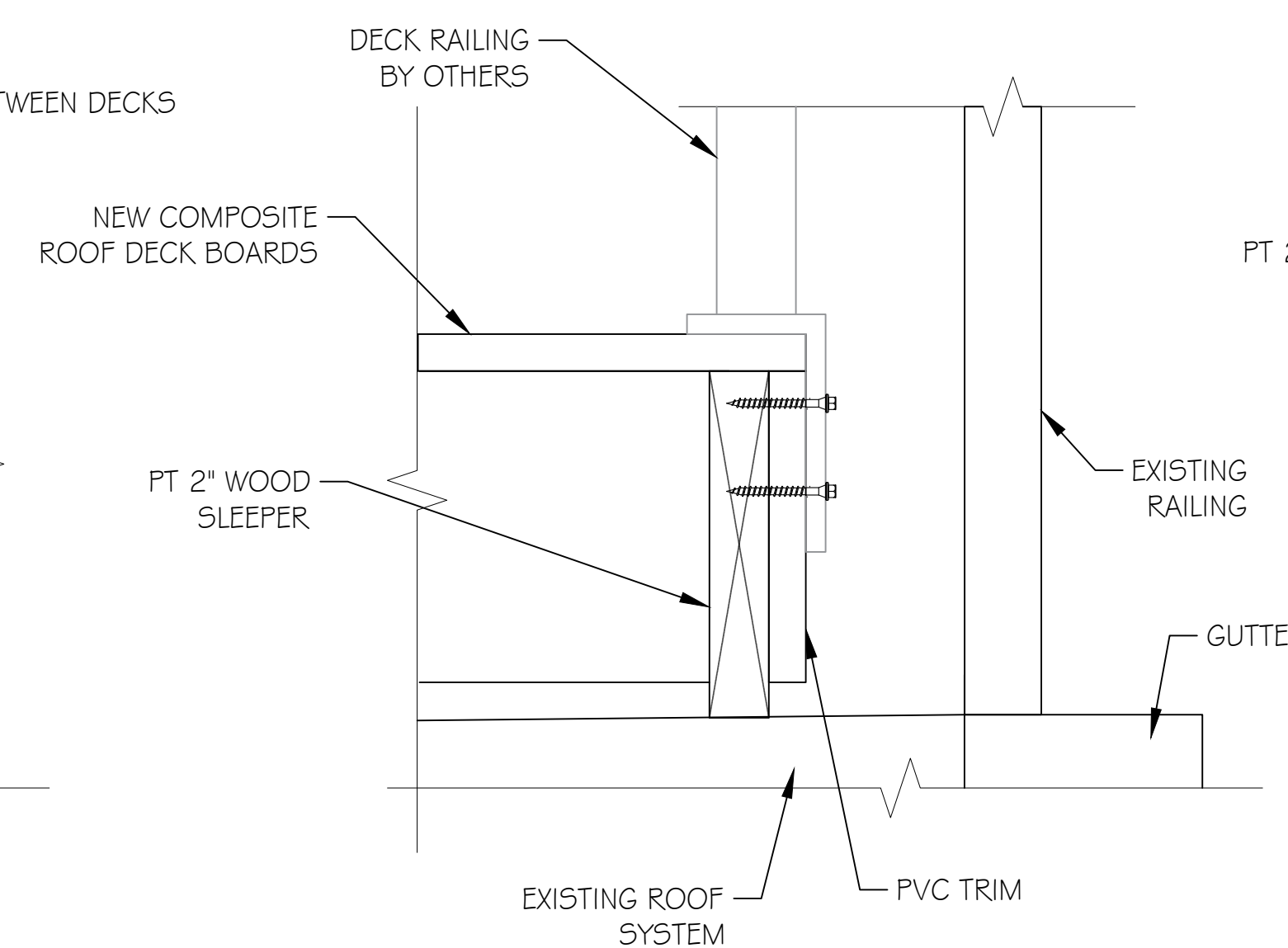
2 ROOF DECK SLEEPER DETAIL
3" = 1'-0"



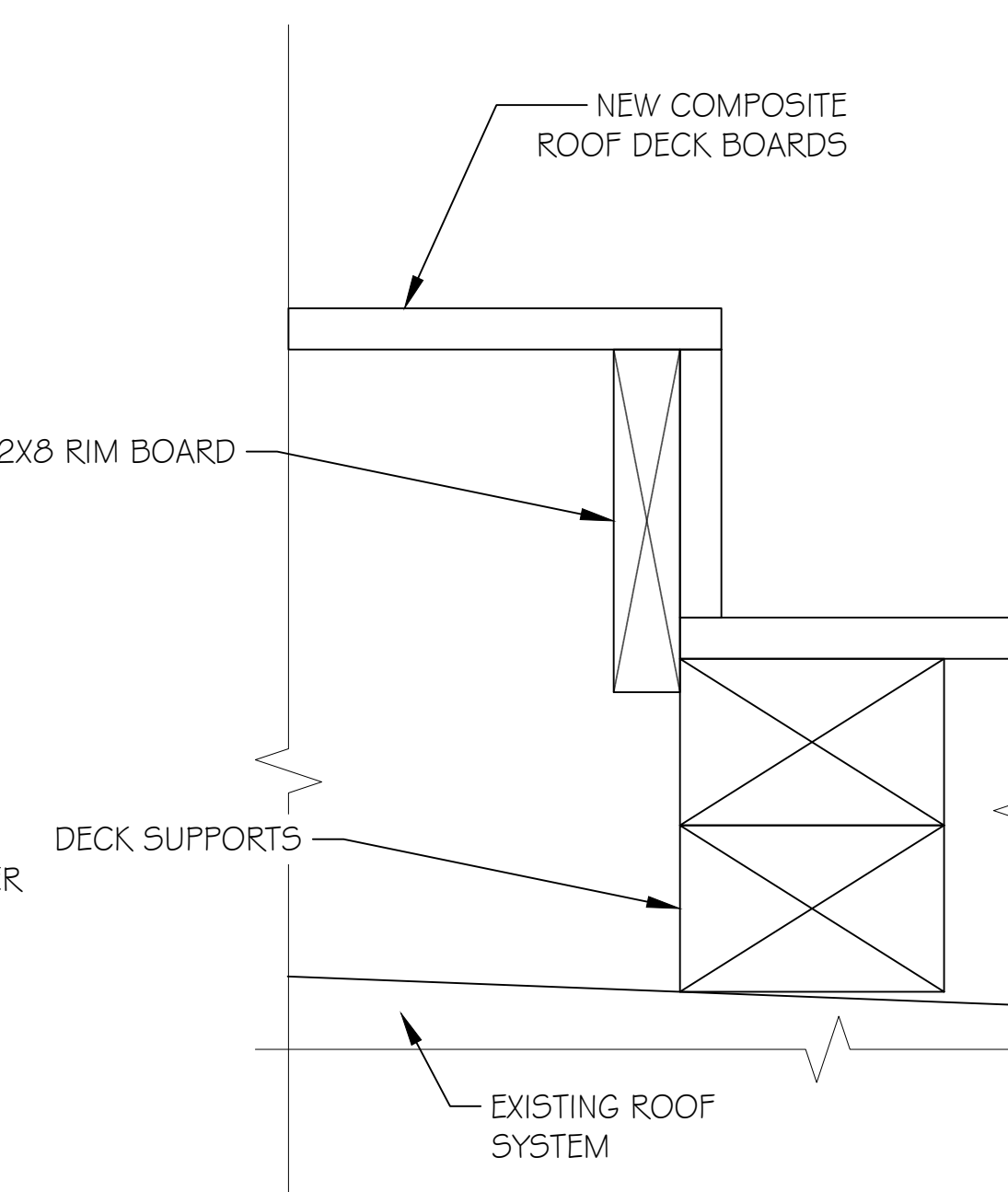
1 DETAIL
3" = 1'-0"



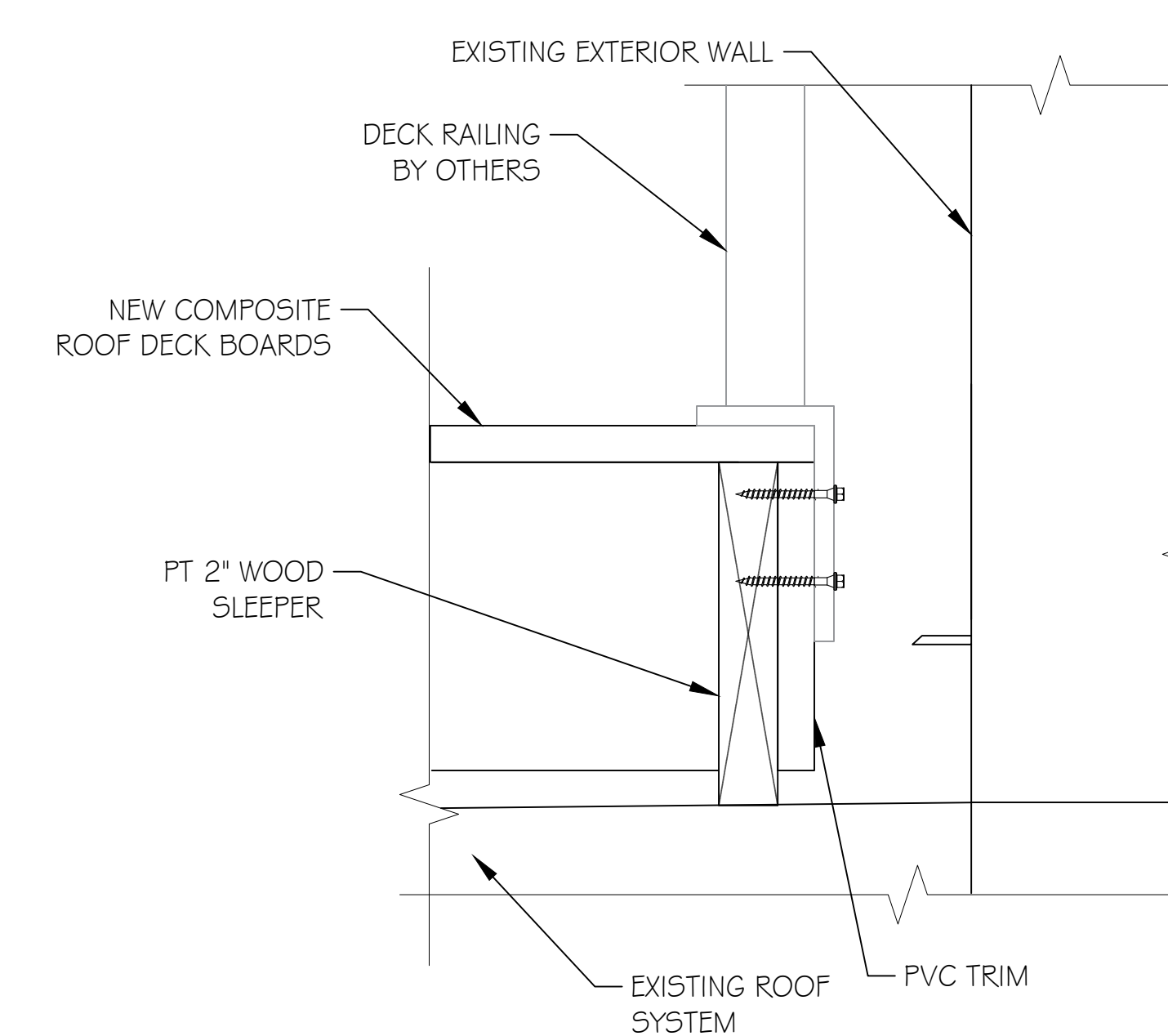
7 ROOF DECK @ STEP UP DETAIL
3" = 1'-0"



6 END OF ROOF DECK DETAIL
3" = 1'-0"



5 ROOF DECK STEP DETAIL
3" = 1'-0"



4 ROOF DECK AT WALL DETAIL
3" = 1'-0"

362 COMMONWEALTH
AVE ROOF DECK
INSTALLATION

362 COMMONWEALTH AVE
BOSTON, MA 02115

CONSULTANT:



**BUILDING RECON
SERVICES**

371 DORCHESTER AVE
BOSTON, MA 02127
PHONE: 617-464-4260
FAX: 617-464-4160
WEBSITE: www.brsinfo.com

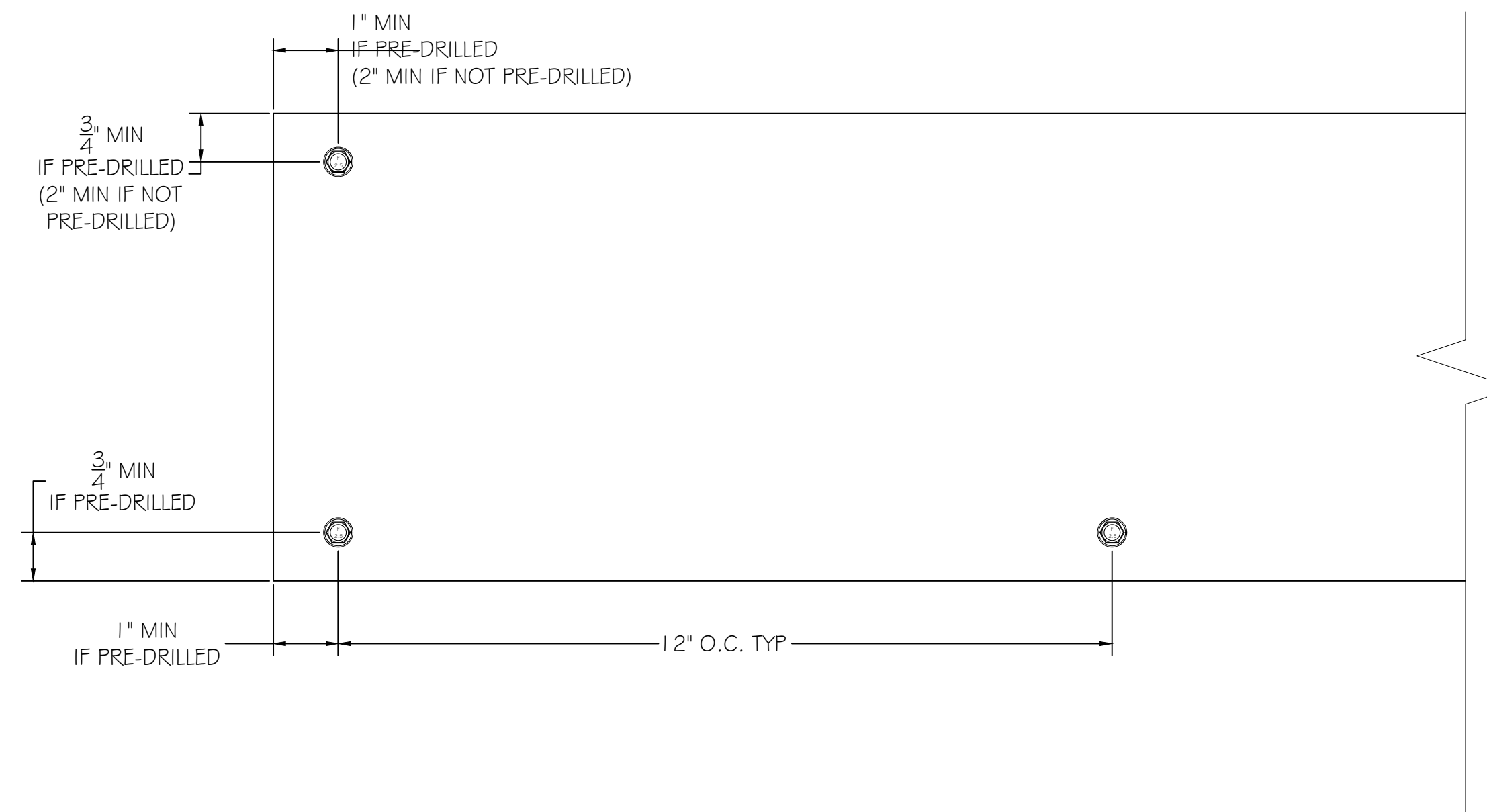
No.	Description	Date

DETAILS

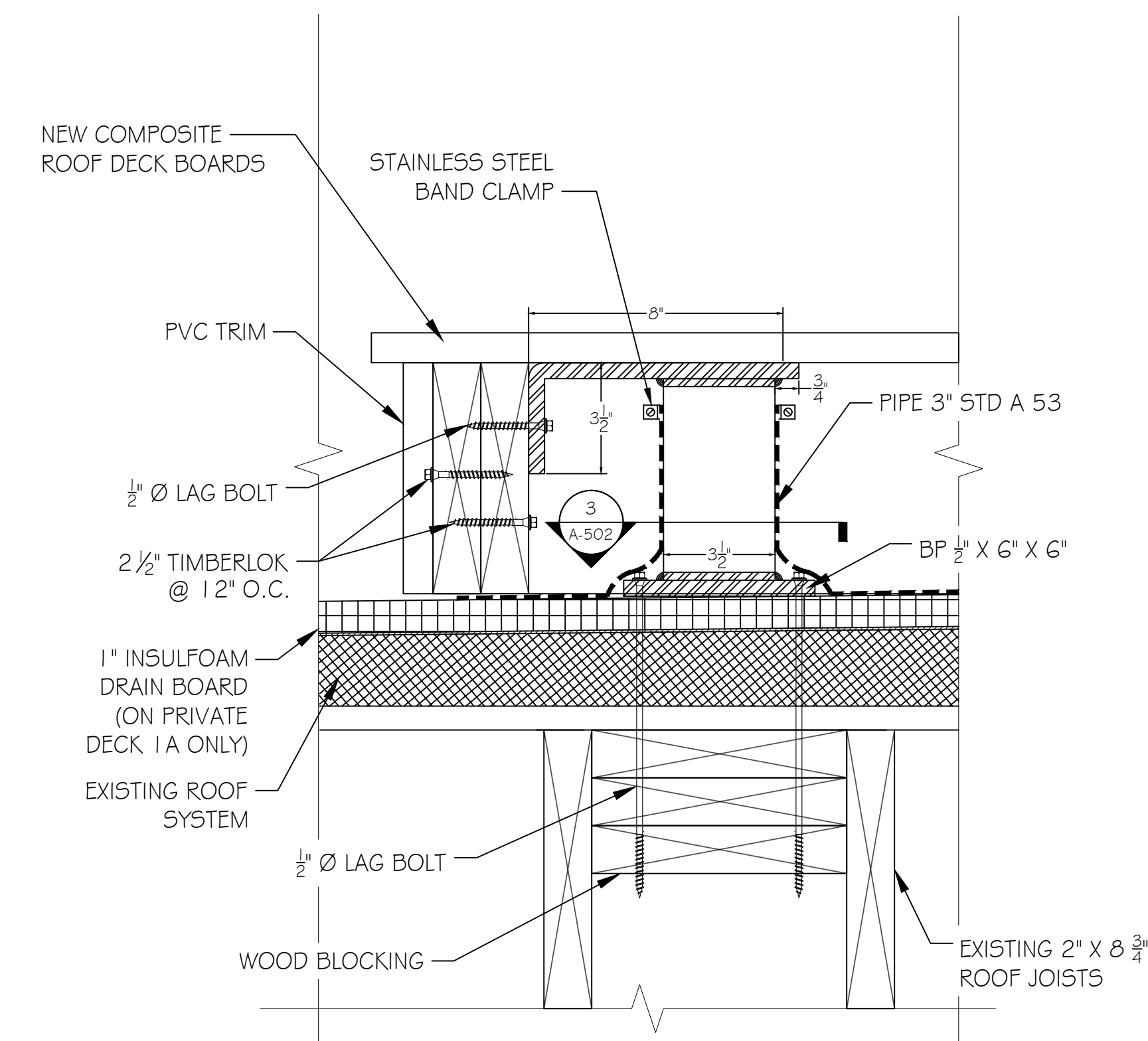
Project number	15249
Date	5/19/2026
Drawn by	AS
Checked by	JK

A-502

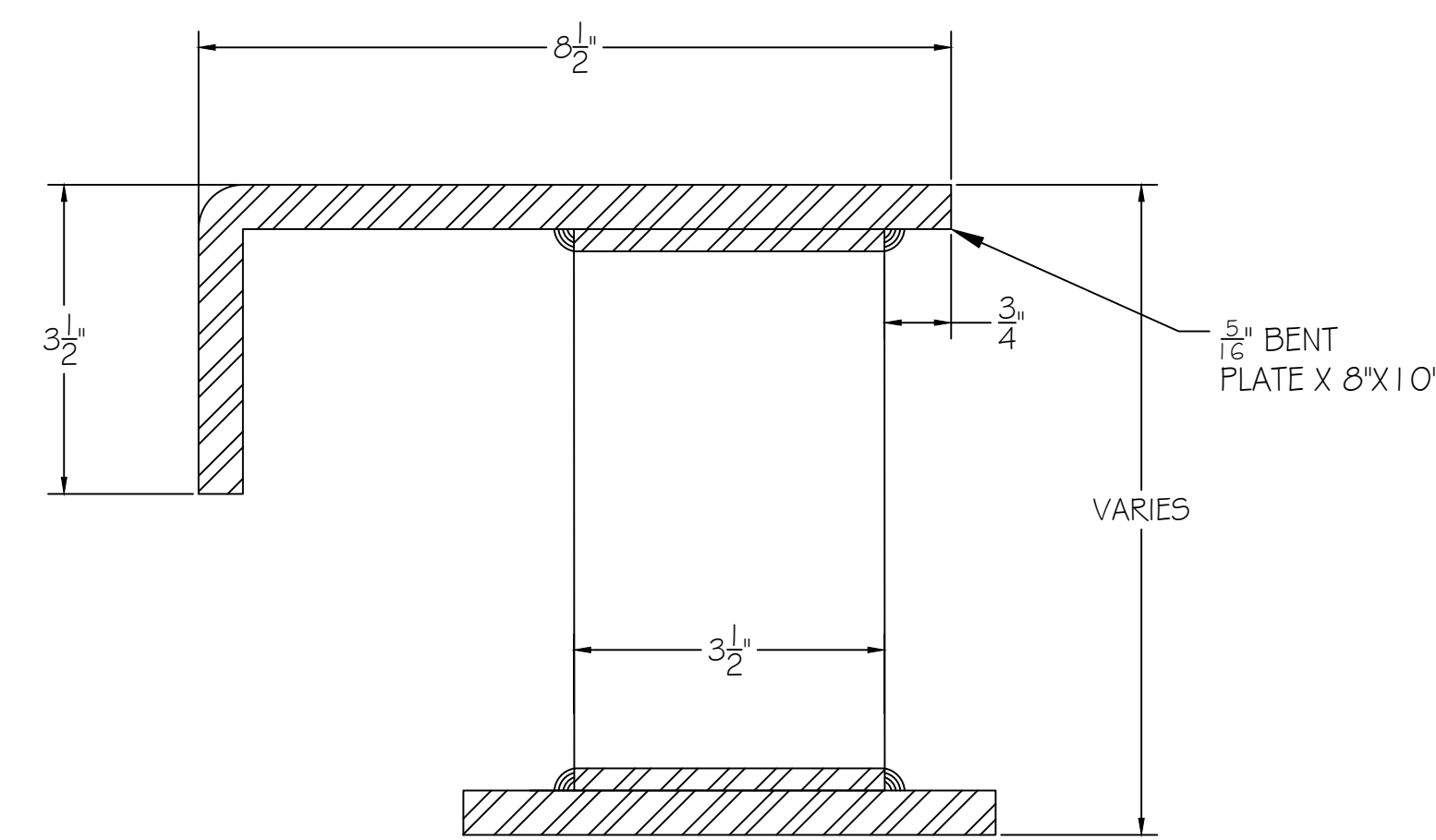
Scale AS NOTED



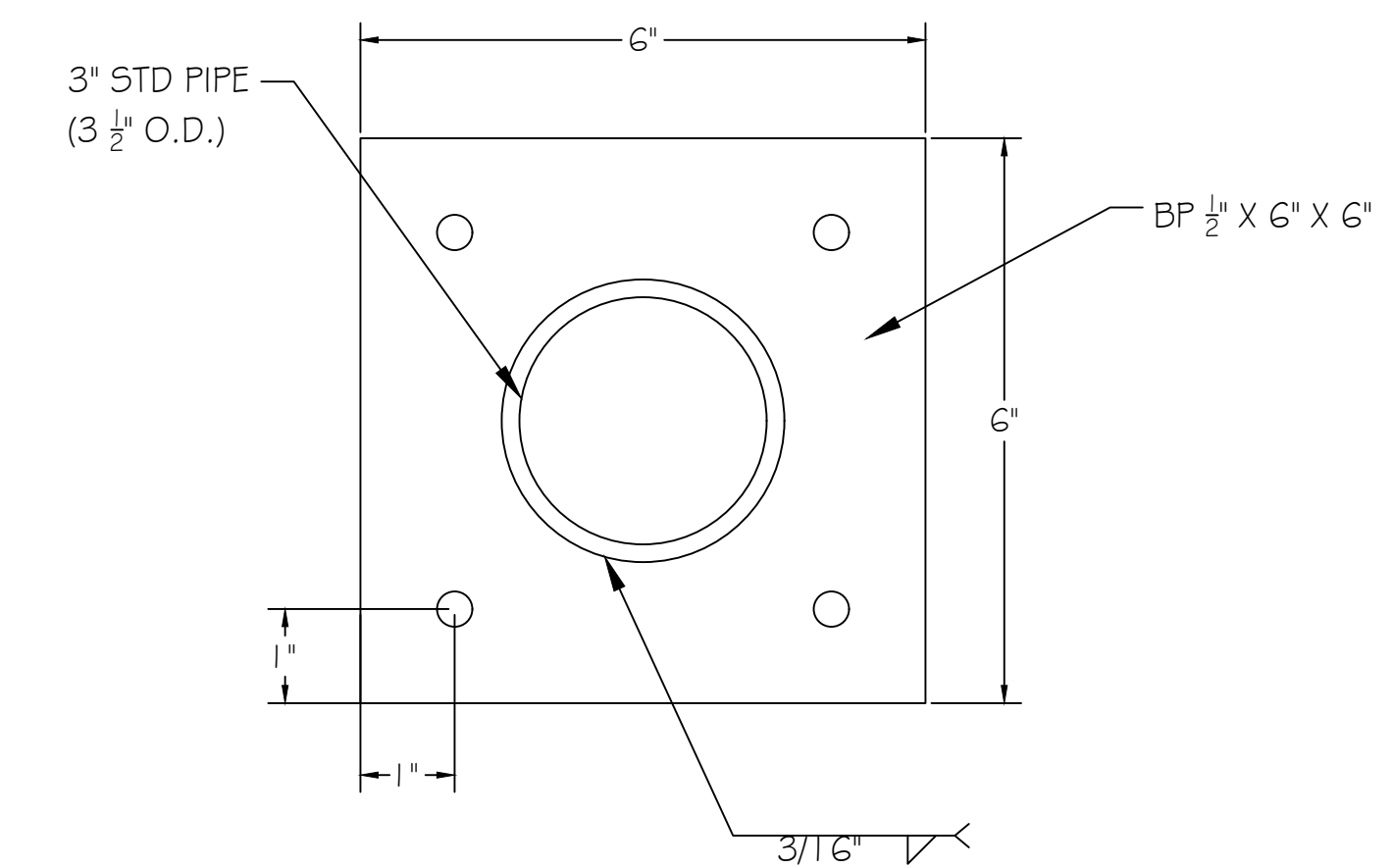
2 TYPICAL EDGE DISTANCE
6" = 1'-0"



1 SUPPORT PIPE DETAIL
3" = 1'-0"



4 PIPE DETAIL
6" = 1'-0"



3 BASE PLATE DETAIL
6" = 1'-0"