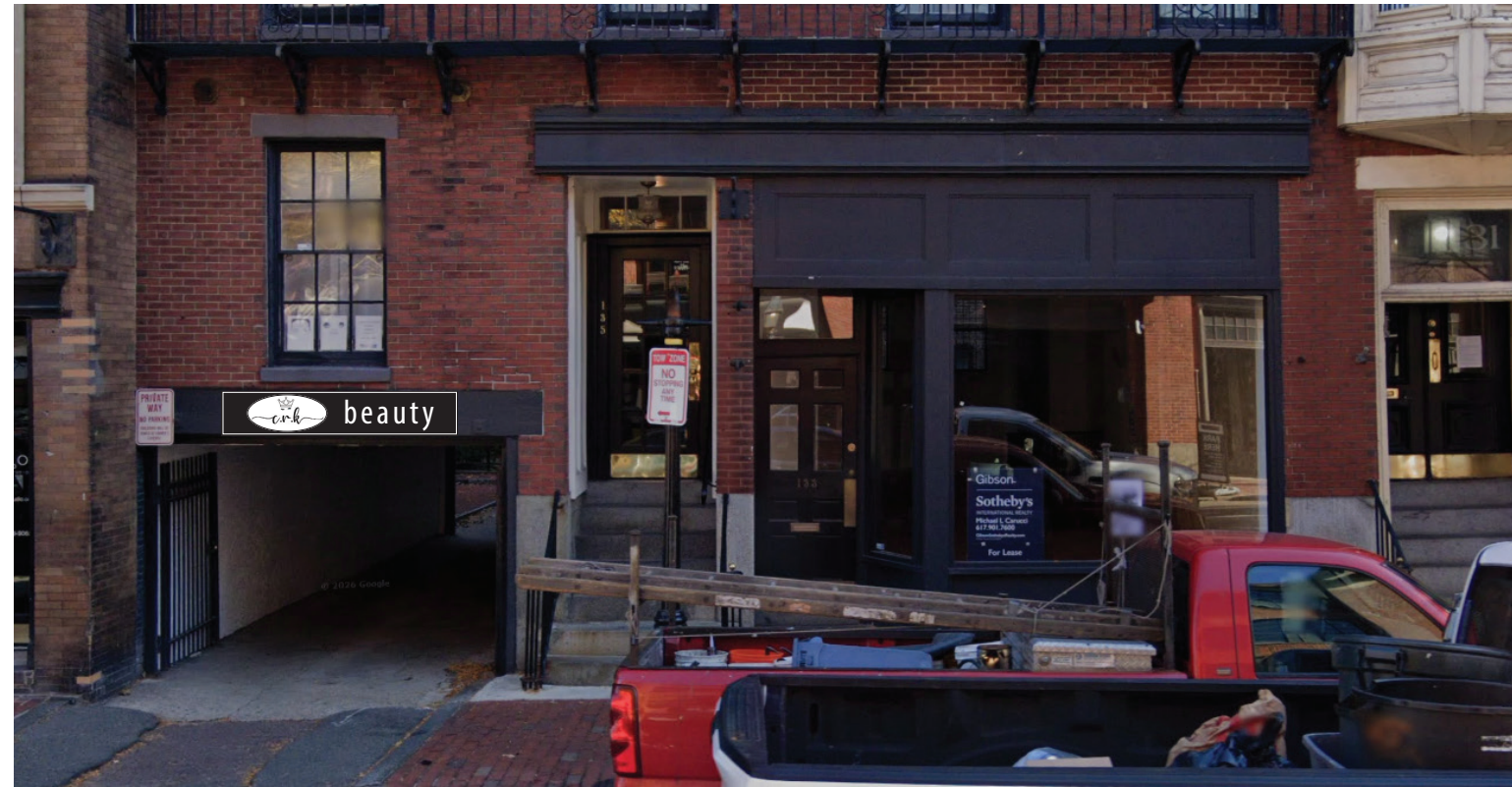


## Existing Conditions



## Proposed Signage



**bostonsign**

www.bostonsign.com  
40 Plympton Street Boston, MA 02118  
Tel. 617-338-2114 Fax 617-482-4825

CUSTOMER:

PROJECT :  
**135 Charles Street  
Boston, MA**

DATE:  
5/26/26

SCALE:  
As Noted

DRAWN BY:  
RT

WORK ORDER:

DRAWING NO.:

FILE:  
Ex1\_2\_3\_4\_5.ai

REVISIONS:

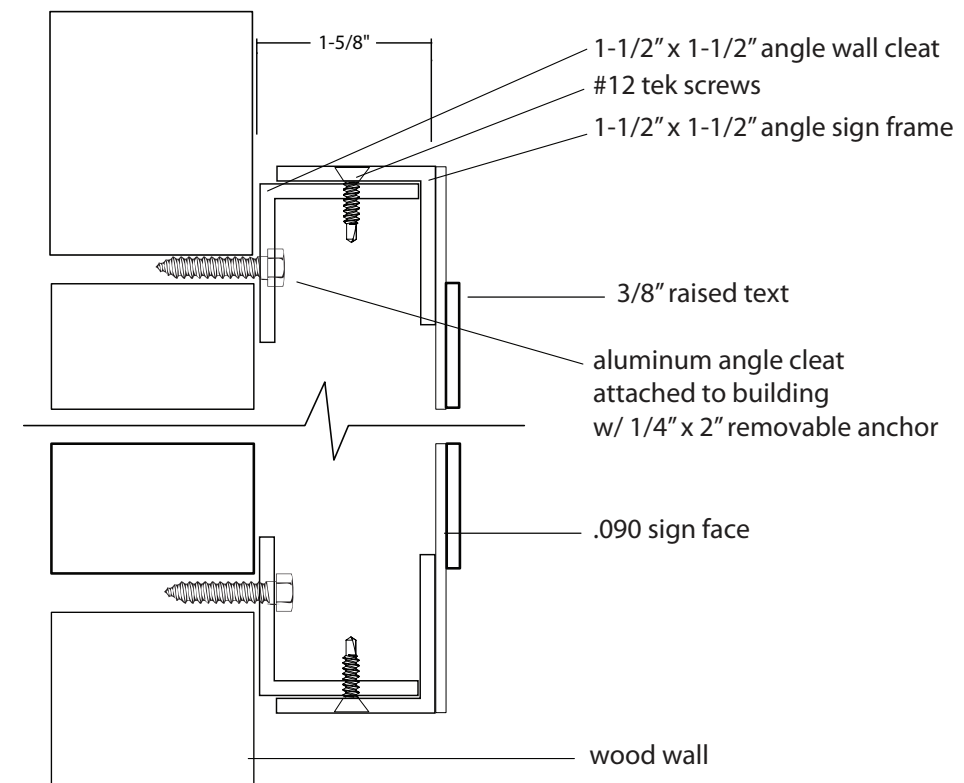
This artwork is Copyright © 2026 Boston Sign. Use of this artwork by any party other than Boston Sign for any purpose whatever is prohibited without a signed release from Boston Sign



72" x " x 14" 1-5/8" aluminum pan sign  
25.5" x 12" x 3/8" raised oval  
with flat graphics  
5.5" x 3/8" thick raised text "beauty"

**A** Front View  
1:10 scale

### Fabricated Pan w/ Cleat Attachment Detail



exterior  
signage