

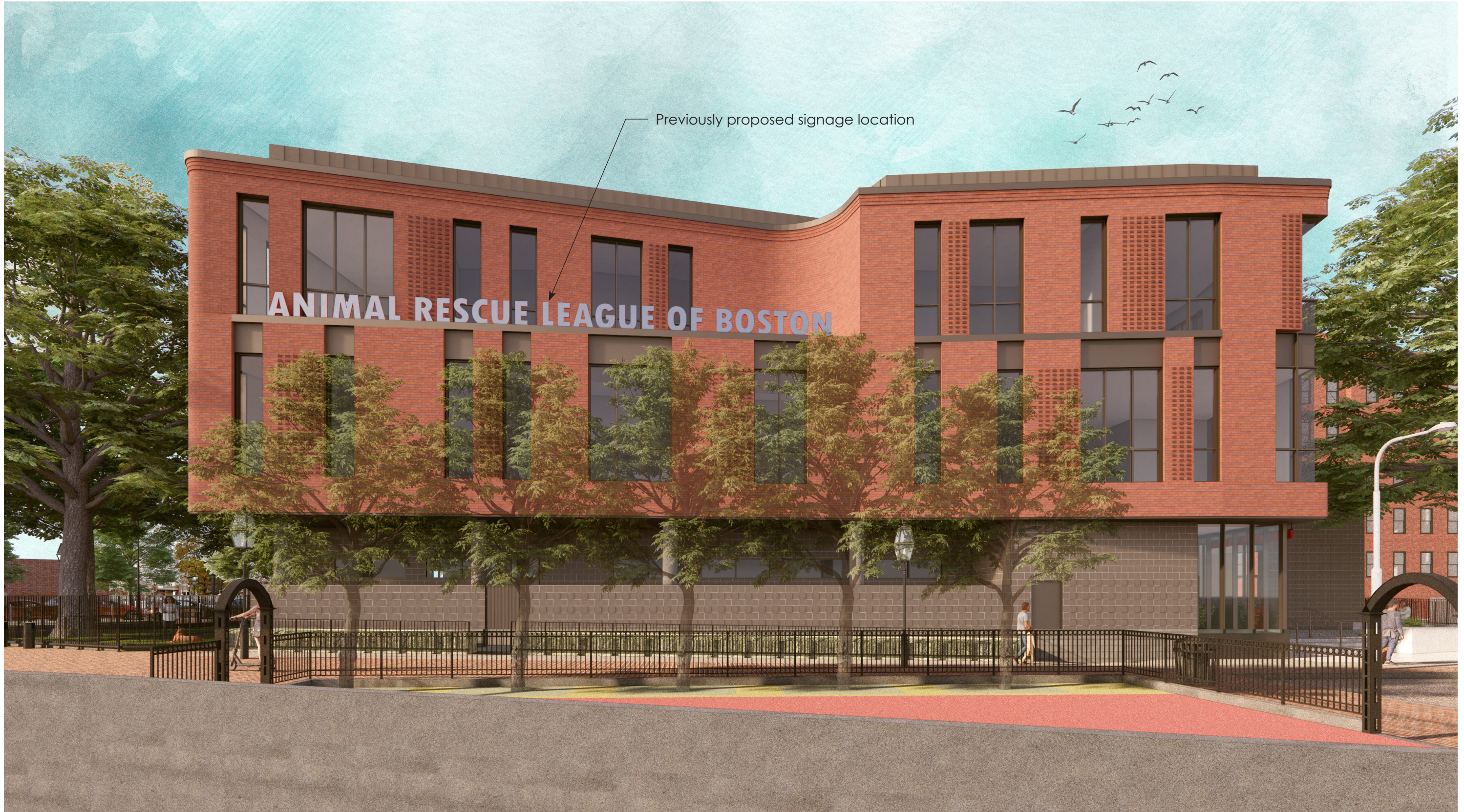
ANIMAL RESCUE LEAGUE OF BOSTON

10 Chandler Street
South End | Boston

South End Landmark District Commission
Signage Master Plan

July 07, 2026





10 Chandler St // South End Landmark District Commission // Signage Master Plan // July 07, 2026

From Chandler St.
PREVIOUS IMAGERY



10 Chandler St // South End Landmark District Commission // Signage Master Plan // July 07, 2026

From Chandler St.
PREVIOUS IMAGERY



Previously proposed
signage location

10 Chandler St // South End Landmark District Commission // Signage Master Plan // July 07, 2026

Chandler St. Entrance
PREVIOUS IMAGERY



10 Chandler St // South End Landmark District Commission // Signage Master Plan // July 07, 2026

Chandler/Tremont Plaza
PREVIOUS IMAGERY



10 Chandler St // South End Landmark District Commission // Signage Master Plan // July 07, 2026

Chandler St. Entrance
PREVIOUS IMAGERY



10 Chandler St // South End Landmark District Commission // Signage Master Plan // July 07, 2026

Chandler/Tremont Plaza
PREVIOUS IMAGERY



10 Chandler St // South End Landmark District Commission // Signage Master Plan // July 07, 2026

Tremont St. BVC Entrance
PREVIOUS IMAGERY



10 Chandler St // South End Landmark District Commission // Signage Master Plan // July 07, 2026

Chandler St. Entrance
CURRENT



10 Chandler St // South End Landmark District Commission // Signage Master Plan // July 07, 2026

Chandler/Tremont Plaza
CURRENT



10 Chandler St // South End Landmark District Commission // Signage Master Plan // July 07, 2026

Chandler St. Entrance
CURRENT



10 Chandler St // South End Landmark District Commission // Signage Master Plan // July 07, 2026

Tremont St. BVC Entrance
CURRENT

SIGN FAMILY

BOSTON VETERINARY CARE

ST - A
QTY - 1
PAGE - 1.0-1.1

ANIMAL RESCUE LEAGUE OF BOSTON

ST - B
QTY - 1
PAGE - 2.0-2.1

ANIMAL RESCUE LEAGUE OF BOSTON

ST - C
QTY - 1
PAGE - 3.0-3.2

ANIMAL RESCUE LEAGUE OF BOSTON

ST - D
QTY - 1
PAGE - 4.0-4.1



ST - E
QTY - 1
PAGE - 5.0-5.3



ST - F
QTY - 2
PAGE - 6.0-6.1



BLUEBIRD
GRAPHIC SOLUTIONS

17 Everberg Road, Unit E
Woburn, MA 01801

info@bluebirdgs.com
617.250.8500

CLIENT
ANIMAL RESCUE LEAGUE

ADDRESS
10 CHANDLER ST
BOSTON, MA 02116

PROJECT
EXTERIOR LETTERS

JOB#
PROJ-25.01763.01

DESIGNER: K. WHITE
PM: A. MORRISON

SIGN TYPE	DRAWING
—	0.1

SITE PLAN



BLUEBIRD
GRAPHIC SOLUTIONS

17 Everberg Road, Unit E
Woburn, MA 01801

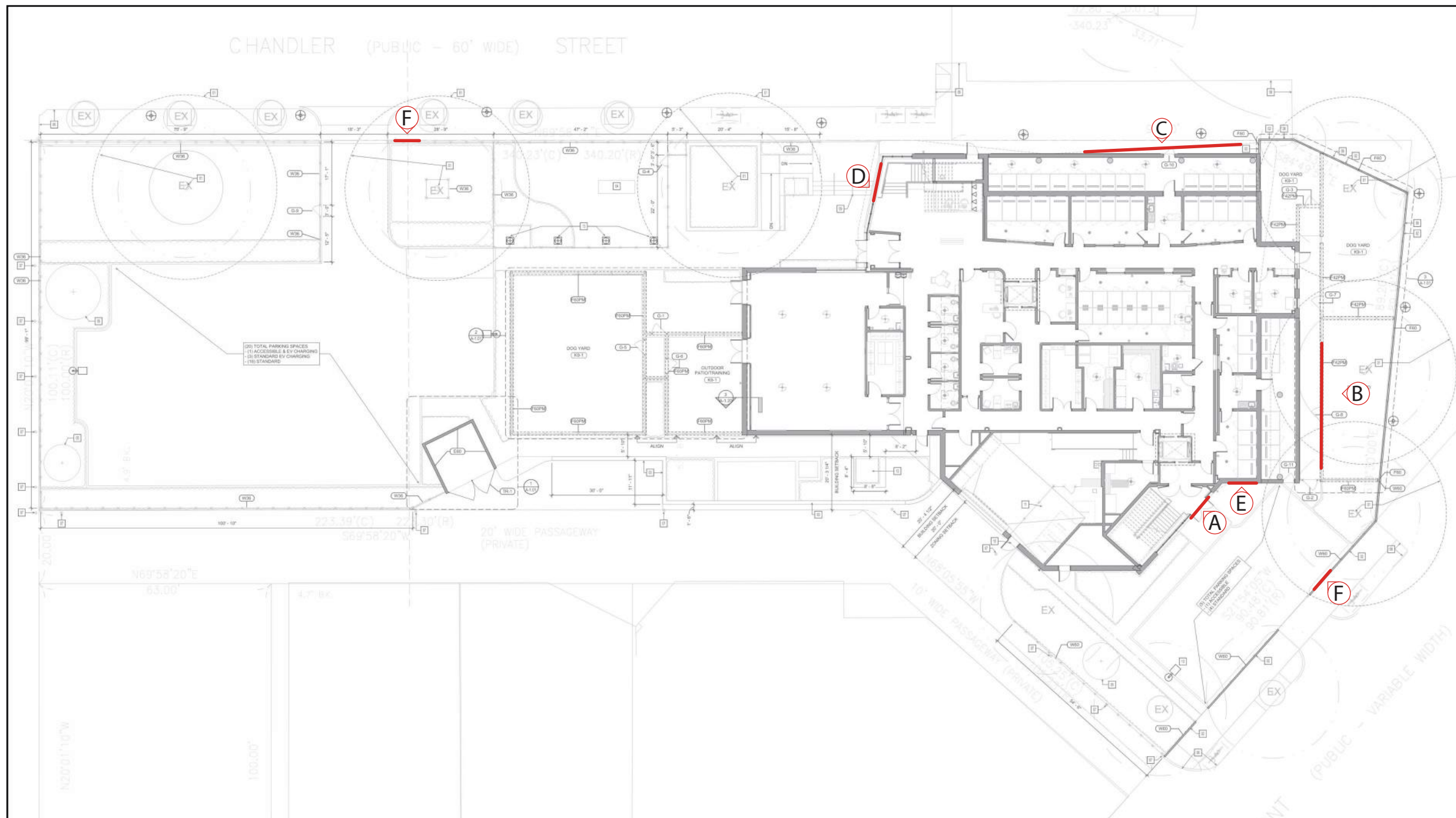
info@bluebirdgs.com
617.250.8500

CLIENT
ANIMAL RESCUE LEAGUE

ADDRESS
10 CHANDLER ST
BOSTON, MA 02116

PROJECT
EXTERIOR LETTERS

JOB#
PROJ-25.01763.01



DESIGNER: K. WHITE
PM: A. MORRISON

SIGN TYPE	DRAWING
—	0.2



BLUEBIRD
GRAPHIC SOLUTIONS

17 Everberg Road, Unit E
Woburn, MA 01801

info@bluebirdgs.com
617.250.8500

CLIENT
ANIMAL RESCUE LEAGUE

ADDRESS
10 CHANDLER ST
BOSTON, MA 02116

PROJECT
EXTERIOR LETTERS

JOB#
PROJ-25.01763.01



01
1.1



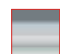
01 | SOUTHEAST ELEVATION - LIGHT BAR W/ LETTERS
1/8" = 1'-0"

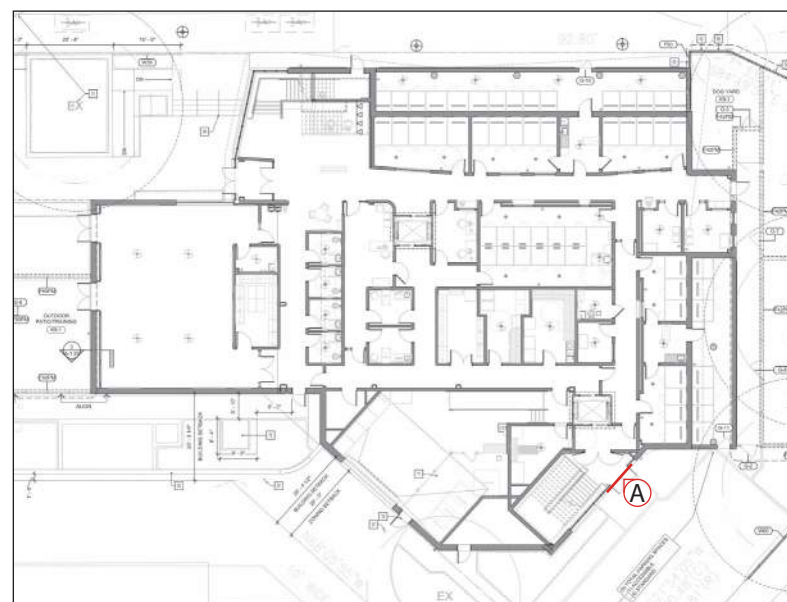
NOTE: TOTAL BUILDING ELEVATION FRONTAGE EQUAL TO APPROXIMATELY 505", SIGN TO OCCUPY APPROXIMATELY 158"

SIGN TYPE A - BOSTON VET SIGN LIGHT BAR OPTION

Quantity (1)

PALETTE

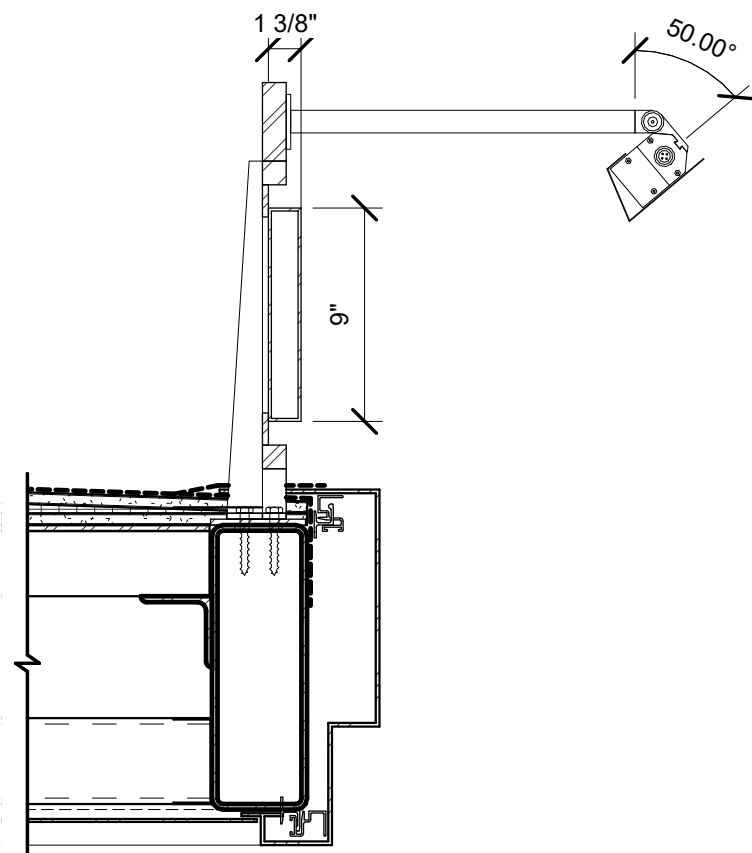
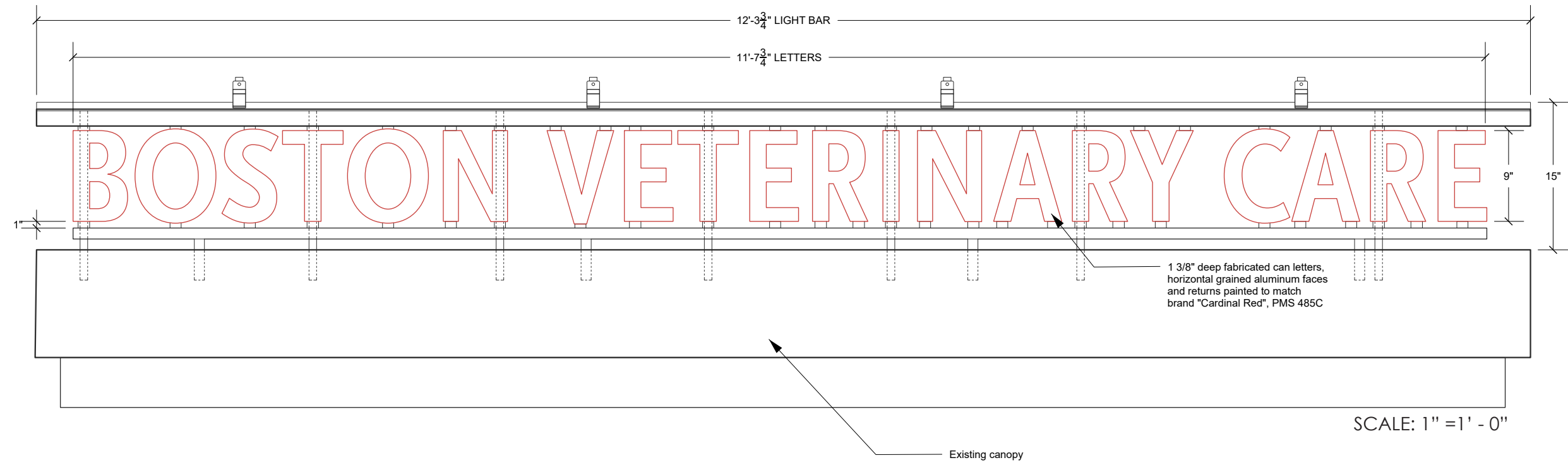
-  PAINT: PMS 485C CARDINAL RED
-  PAINT: PMS WARM GRAY 1C
-  MATERIAL: HORIZONTAL GRAIN ALUMINUM FACE



02 | SITE PLAN
NTS

DESIGNER: K. WHITE
PM: A. MORRISON

SIGN TYPE	DRAWING
A	1.0





10 Chandler St // South End Landmark District Commission // Signage Master Plan // July 07, 2026

Tremont St. BVC Entrance
Sign Type (A) w/ Light Bar



BLUEBIRD
GRAPHIC SOLUTIONS

17 Everberg Road, Unit E
Woburn, MA 01801

info@bluebirdgs.com
617.250.8500

CLIENT
ANIMAL RESCUE LEAGUE

ADDRESS
10 CHANDLER ST
BOSTON, MA 02116

PROJECT
EXTERIOR LETTERS

JOB#
PROJ-25.01763.01



01
2.1

01 EAST ELEVATION - LIGHT BAR W/ LETTERS
1/8" = 1'-0"

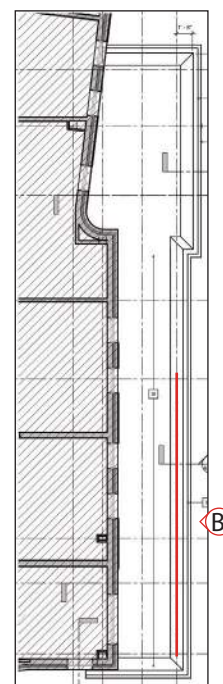
NOTE: TOTAL BUILDING ELEVATION FRONTAGE EQUAL TO APPROXIMATELY 1,110", SIGN TO OCCUPY APPROXIMATELY 465"

SIGN TYPE B - ARL SIGN 1 - FRONT LIT

Quantity (1)

PALETTE

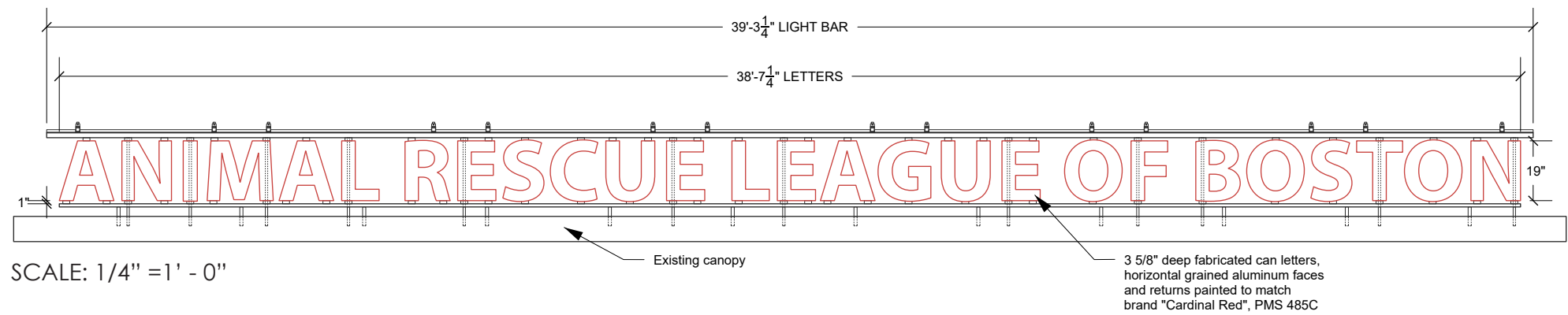
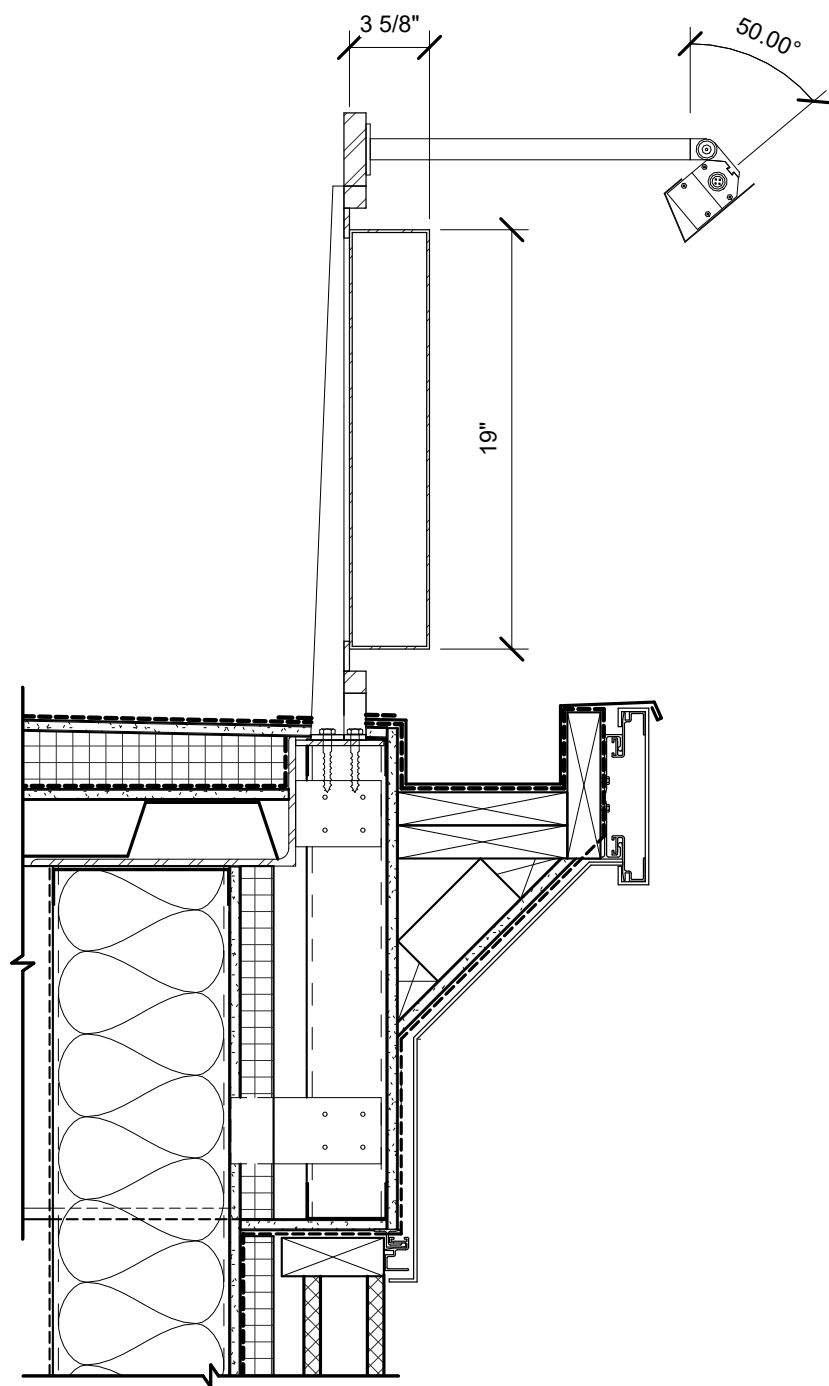
- PAINT: PMS 485C CARDINAL RED
- MATERIAL: HORIZONTAL GRAIN ALUMINUM FACE
- PAINT: PMS WARM GRAY 1C



02 SITE PLAN
NTS

DESIGNER: K. WHITE
PM: A. MORRISON

SIGN TYPE	DRAWING
B	2.0





10 Chandler St // South End Landmark District Commission // Signage Master Plan // July 07, 2026

Chandler/Tremont Plaza
Sign Type (B) w/ Light Bar

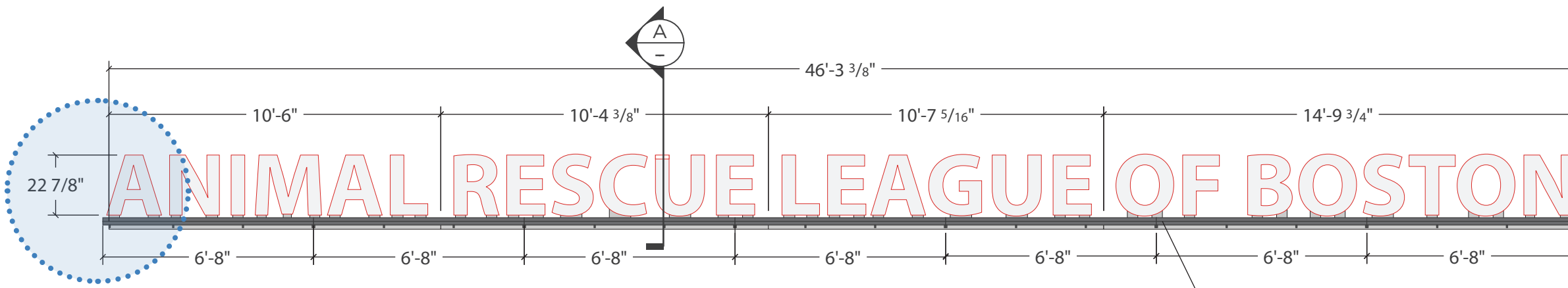


10 Chandler St // South End Landmark District Commission // Signage Master Plan // July 07, 2026

Chandler St.
Sign Type (C) w/ Light Bar

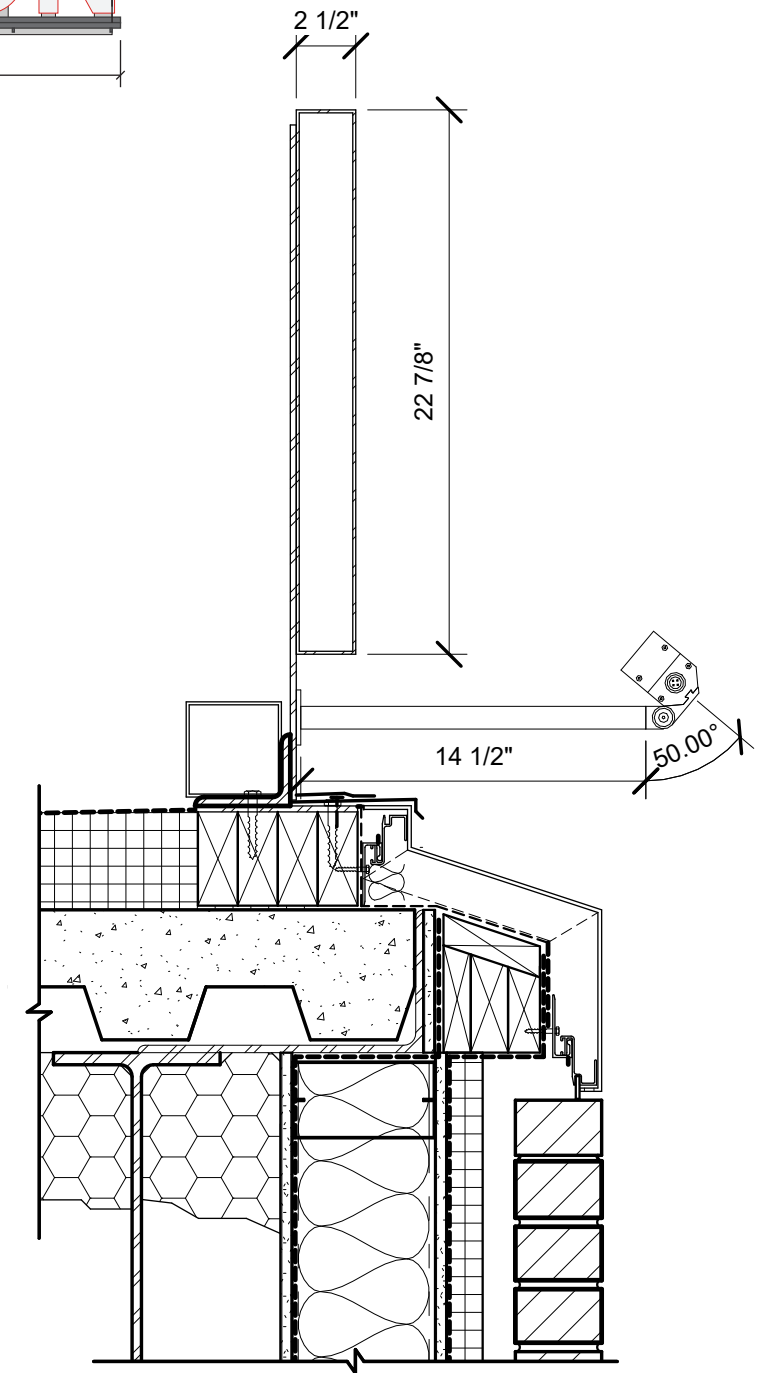


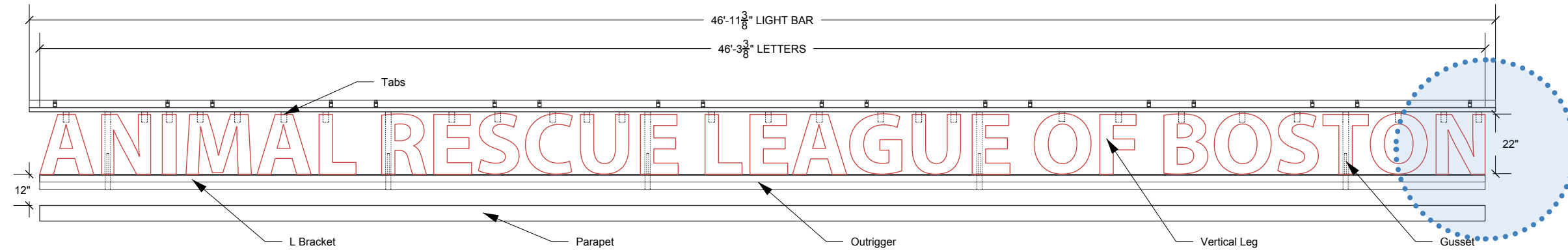
Proposed Sign Location
(Trees Updated to Reflect Current Site Conditions)



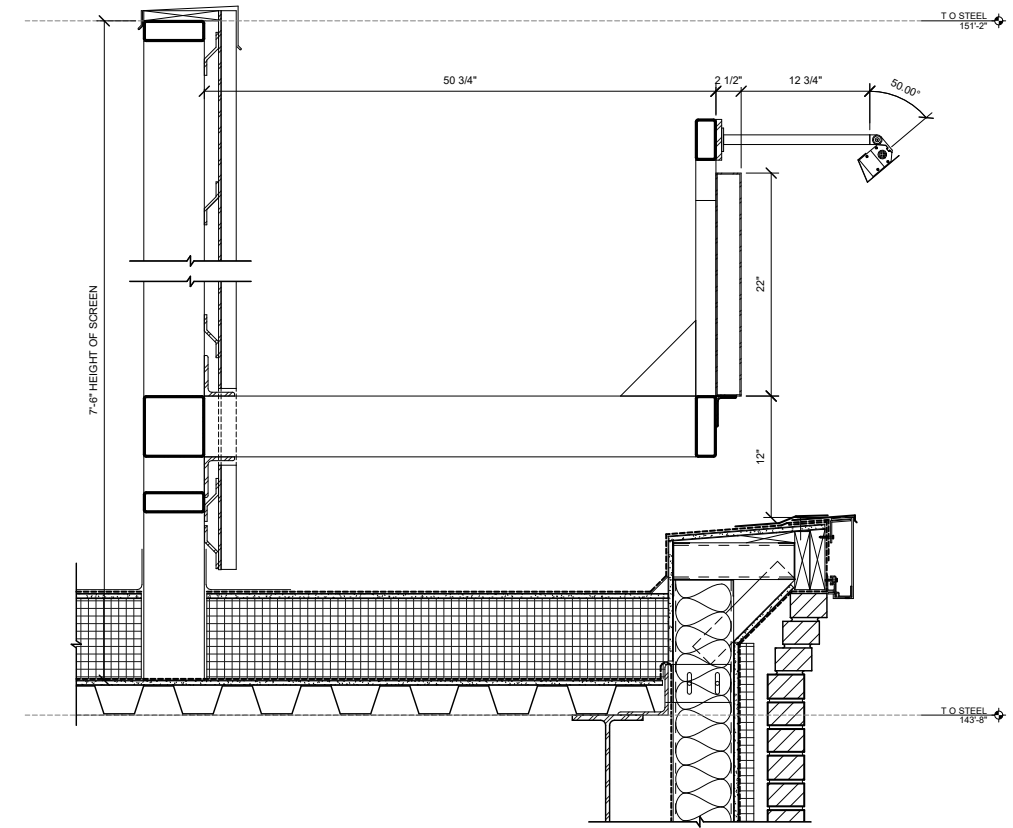
01 | FRONT VIEW
1/4" = 1'-0"

2-1/2" deep fabricated can letters,
horizontal grained aluminum faces
and painted returns painted to match
brand "Cardinal Red", PMS 485C





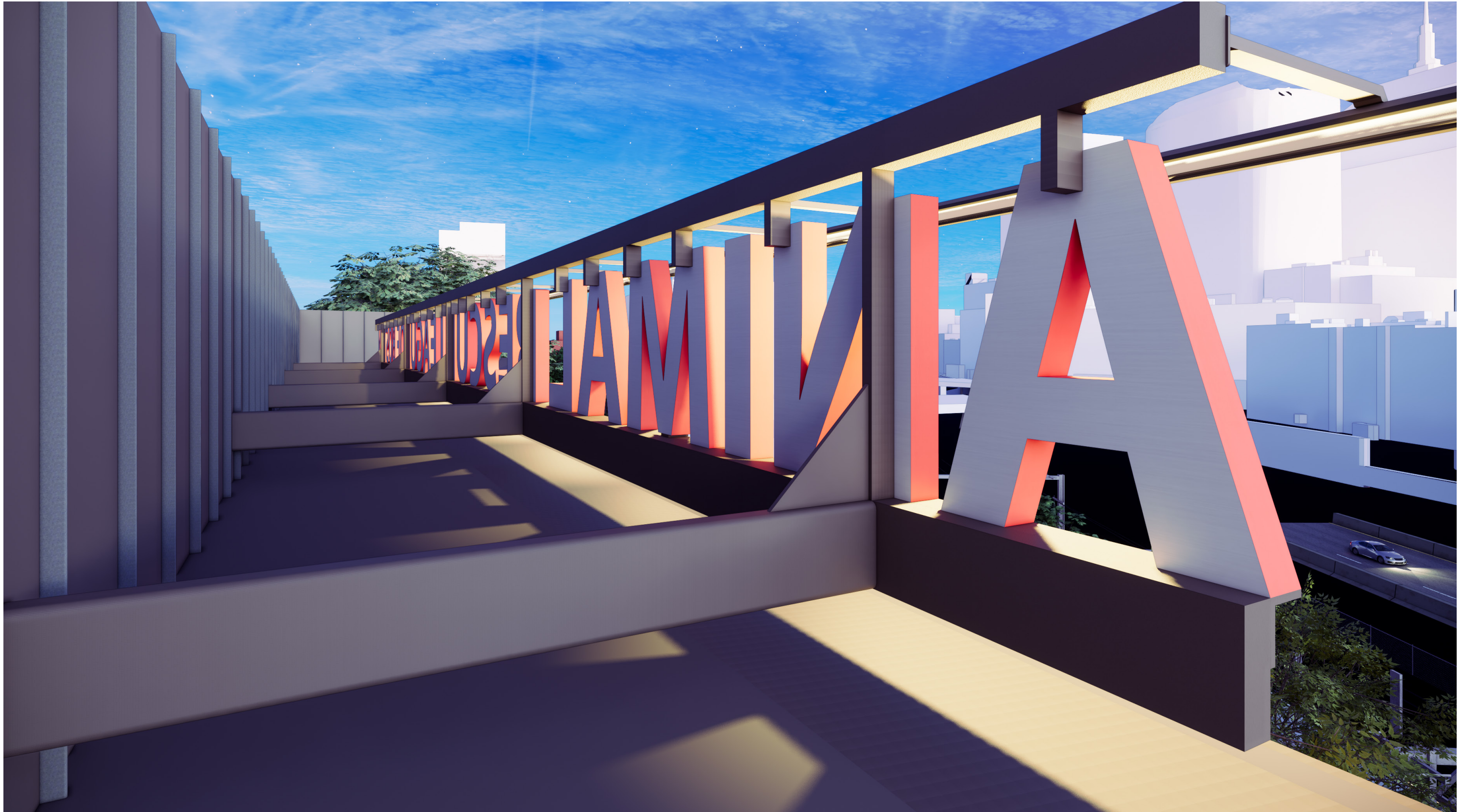
01 FRONT VIEW
1/4" = 1'-0"





10 Chandler St // South End Landmark District Commission // Signage Master Plan // July 07, 2026

Chandler St.
Sign Type (C) w/ Light Bar



10 Chandler St // South End Landmark District Commission // Signage Master Plan // July 07, 2026

Chandler St.
Sign Type (C) w/ Light Bar



10 Chandler St // South End Landmark District Commission // Signage Master Plan // July 07, 2026

Chandler St. from Mass Pike
Sign Type (C) w/ Light Bar



10 Chandler St // South End Landmark District Commission // Signage Master Plan // July 07, 2026

Chandler St. from Mass Pike





BLUEBIRD
GRAPHIC SOLUTIONS

17 Everberg Road, Unit E
Woburn, MA 01801

info@bluebirdgs.com
617.250.8500

CLIENT
ANIMAL RESCUE LEAGUE

ADDRESS
10 CHANDLER ST
BOSTON, MA 02116

PROJECT
EXTERIOR LETTERS

JOB#
PROJ-25.01763.01



01
4.1




01 | WEST ELEVATION - EDGE LIT LETTERS
1/8" = 1'-0"

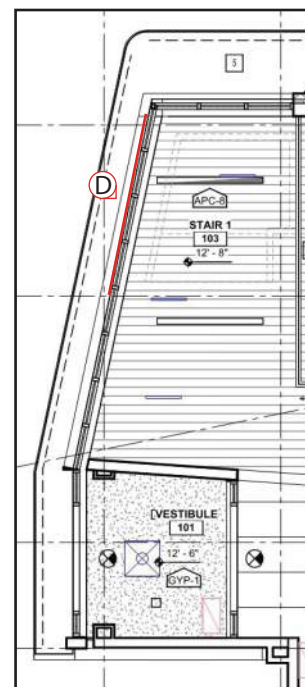
**NOTE: TOTAL BUILDING ELEVATION
FRONTAGE EQUAL TO APPROXIMATELY 435",
SIGN TO OCCUPY APPROXIMATELY 192"**

SIGN TYPE D - ARL SIGN 3 - FRONT LIT

Quantity (1)

PALETTE

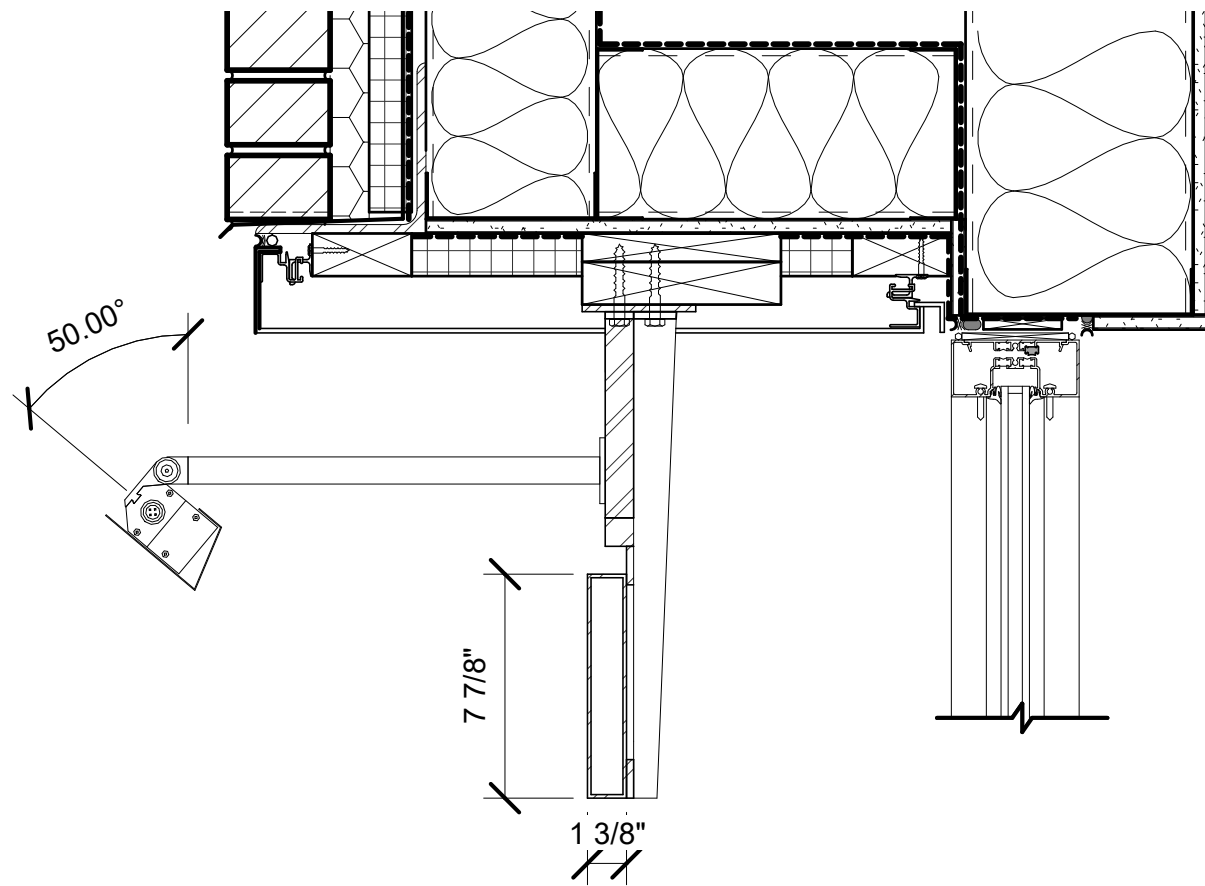
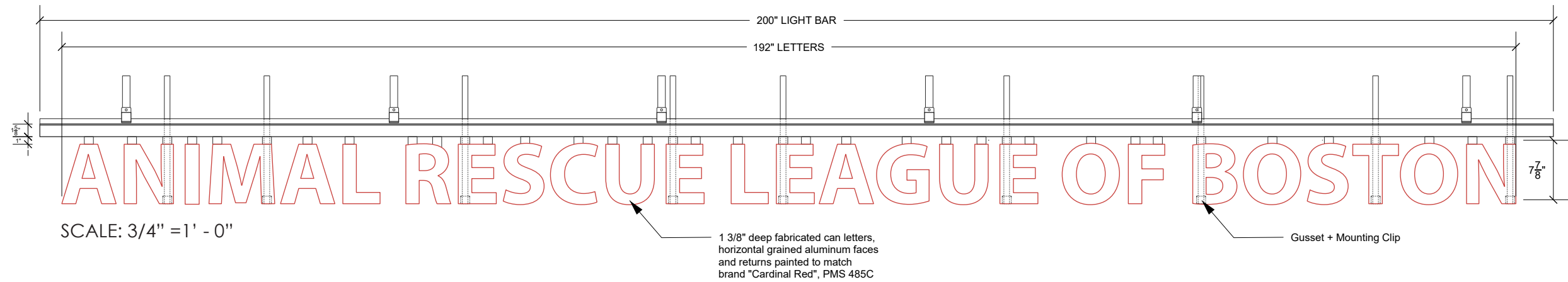
-  PAINT: PMS 485C CARDINAL RED
-  PAINT: PMS WARM GRAY 1C
-  MATERIAL: HORIZONTAL GRAIN ALUMINUM FACE



02 | SITE PLAN
NTS

DESIGNER: K. WHITE
PM: A. MORRISON

SIGN TYPE	DRAWING
D	4.0





10 Chandler St // South End Landmark District Commission // Signage Master Plan // July 07, 2026

Chandler St. Entrance
Sign Type (D) w/ Light Bar



10 Chandler St // South End Landmark District Commission // Signage Master Plan // July 07, 2026

Chandler St. Entrance
Sign Type (D) w/ Light Bar



BLUEBIRD
GRAPHIC SOLUTIONS

17 Everberg Road, Unit E
Woburn, MA 01801

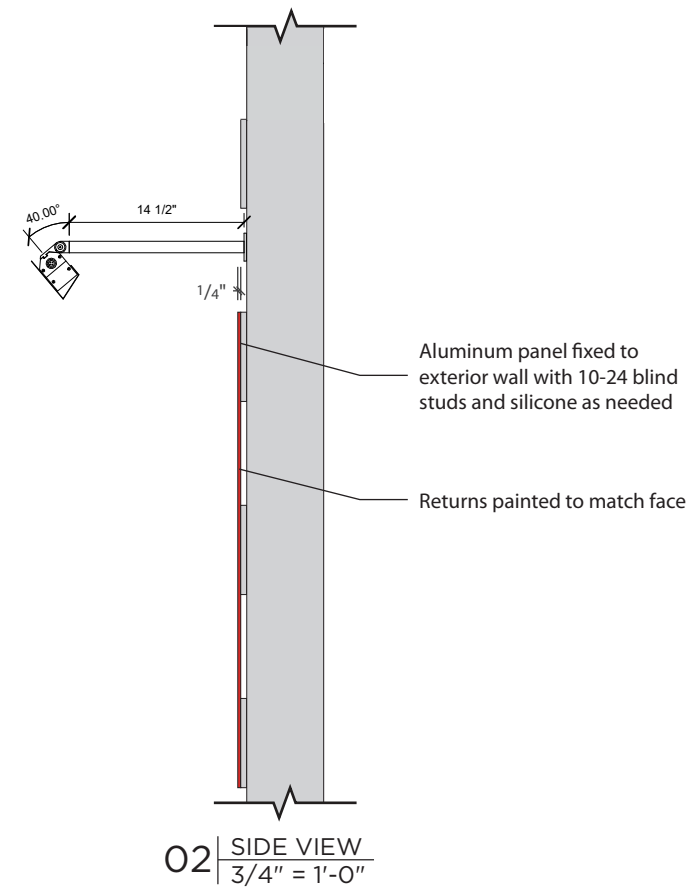
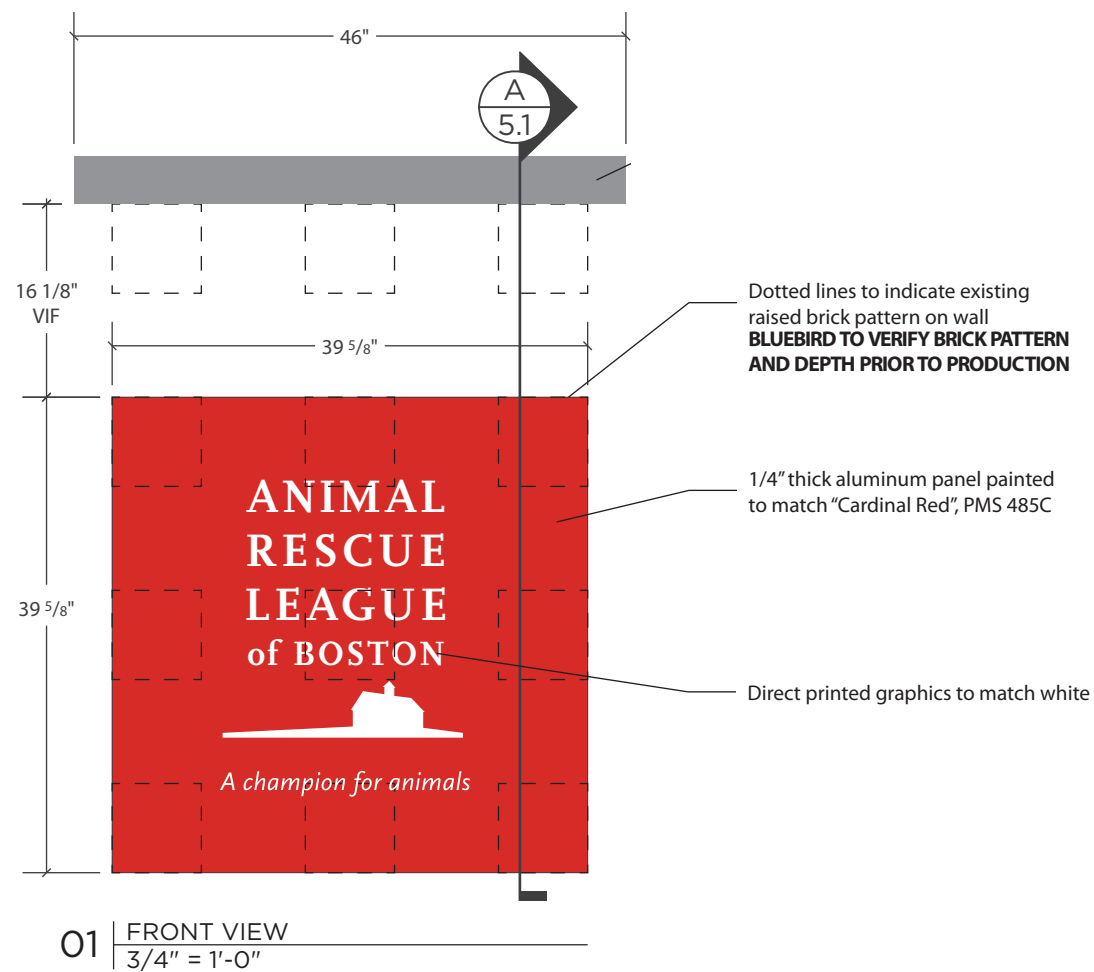
info@bluebirdgs.com
617.250.8500

CLIENT
ANIMAL RESCUE LEAGUE

ADDRESS
10 CHANDLER ST
BOSTON, MA 02116

PROJECT
EXTERIOR LETTERS

JOB#
PROJ-25.01763.01



NOTES: BLUEBIRD TO VERIFY INSTALL LOCATION PRIOR TO PRODUCTION, PLEASE CONFIRM ELEVATION



SIGN TYPE E - ENTRY WALL SIGN

Quantity (1)

PALETTE

- PRINT: TO MATCH WHITE
- PAINT: TO MATCH CARDINAL RED (PMS 485C)

DESIGNER: K. WHITE
PM: A. MORRISON

SIGN TYPE	DRAWING
E	5.0



BLUEBIRD
GRAPHIC SOLUTIONS

17 Everberg Road, Unit E
Woburn, MA 01801

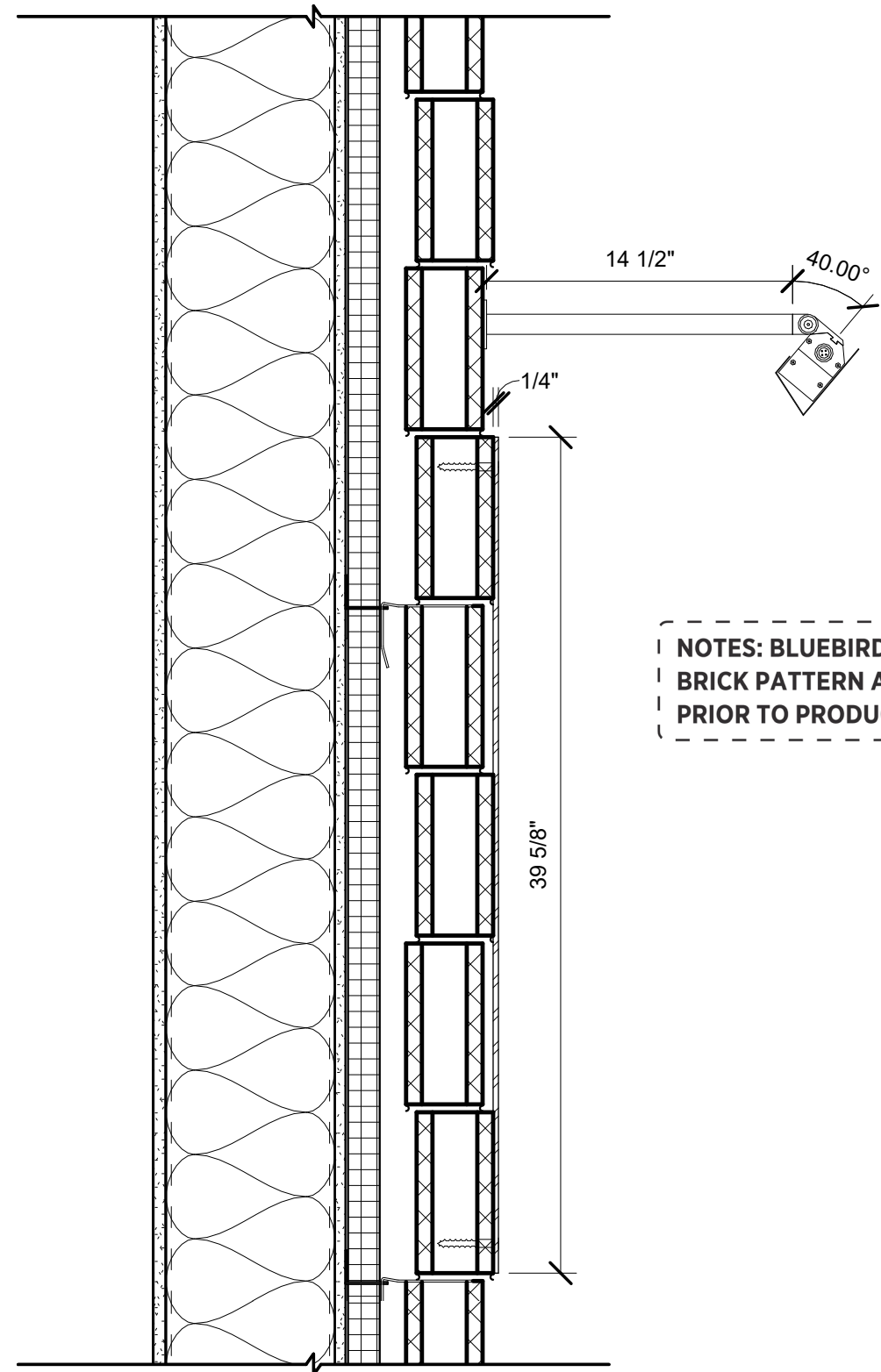
info@bluebirdgs.com
617.250.8500

CLIENT
ANIMAL RESCUE LEAGUE

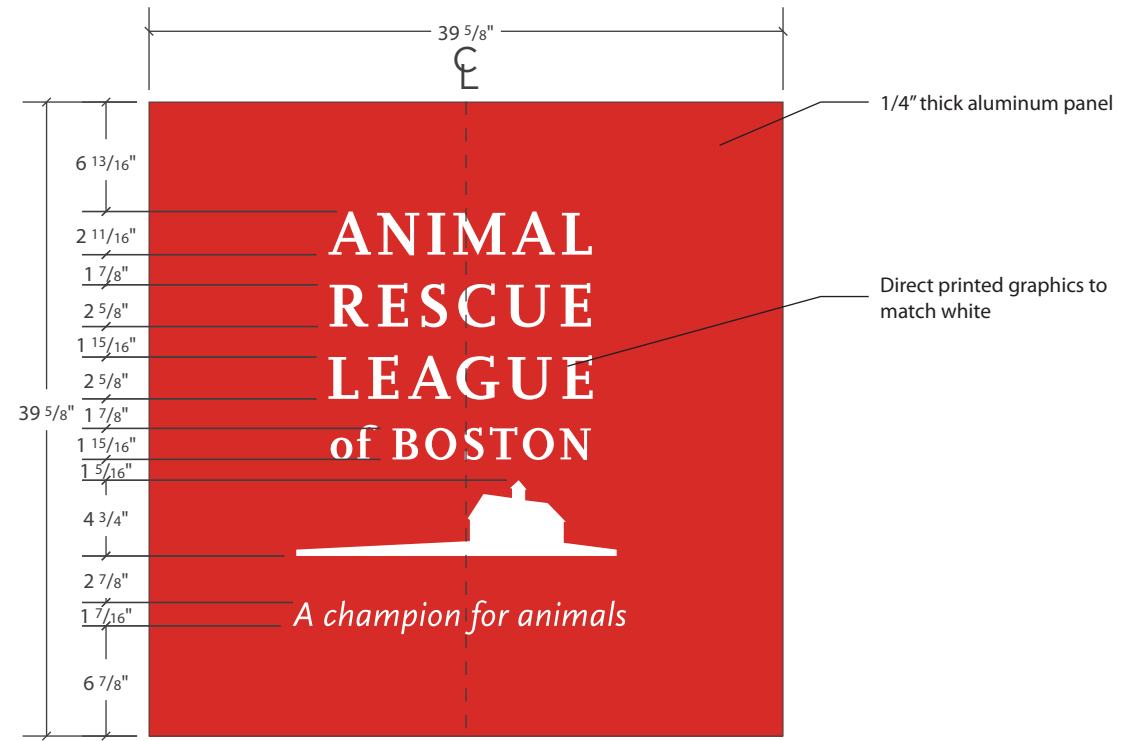
ADDRESS
10 CHANDLER ST
BOSTON, MA 02116

PROJECT
EXTERIOR LETTERS

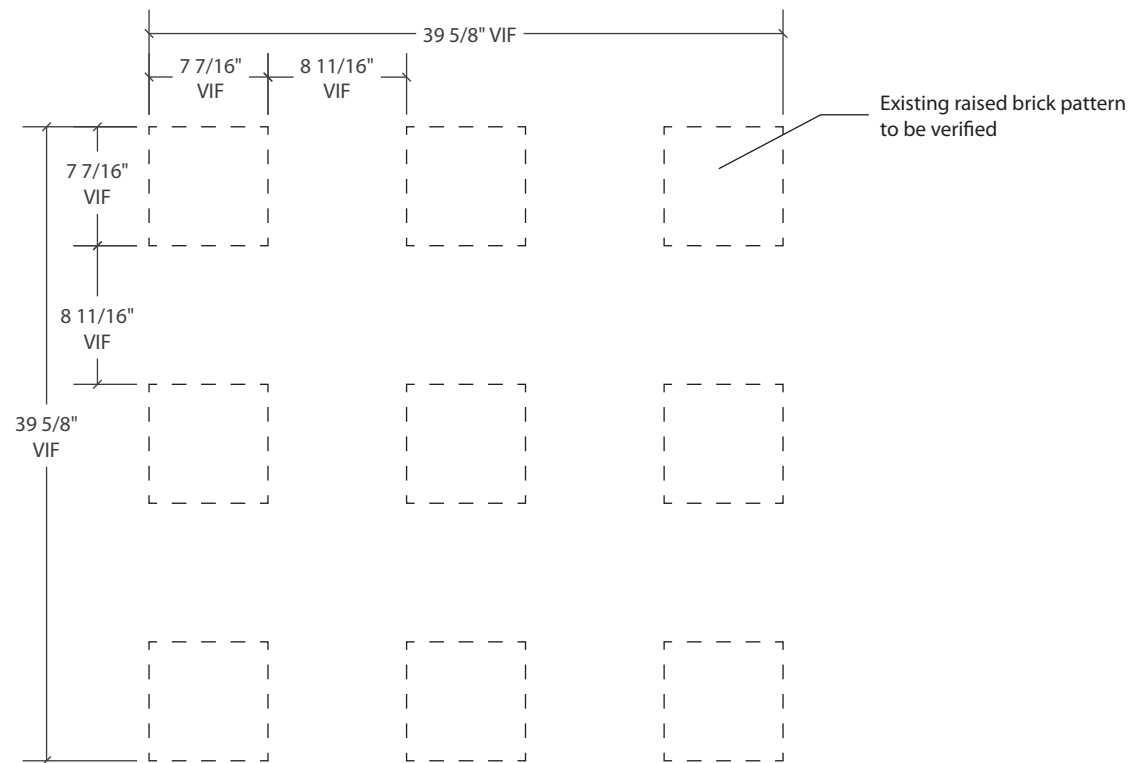
JOB#
PROJ-25.01763.01



**NOTES: BLUEBIRD TO VERIFY
BRICK PATTERN AND DEPTH
PRIOR TO PRODUCTION**



01 GRAPHIC LAYOUT
1" = 1'-0"



02 EXISTING BRICK LAYOUT
1" = 1'-0"

DESIGNER: K. WHITE
PM: A. MORRISON

SIGN TYPE	DRAWING
E	5.1



10 Chandler St // South End Landmark District Commission // Signage Master Plan // July 07, 2026

Tremont St. Entry
Sign Type (E) w/ Light Bar



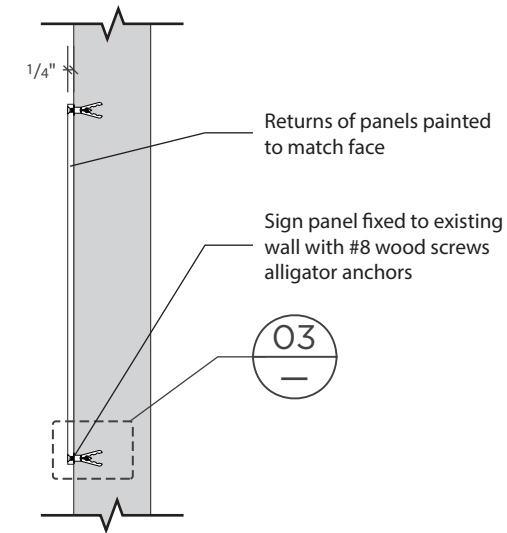


1/4" thick aluminum panel painted to match 120 white

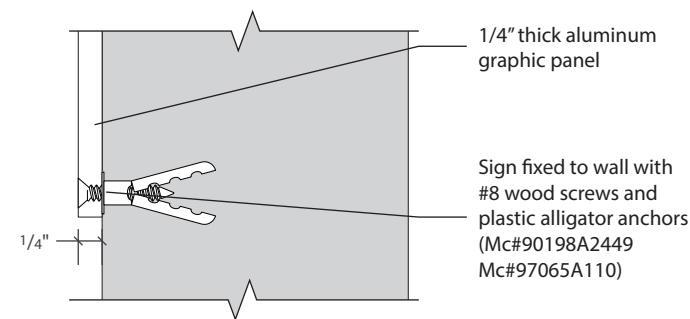
Direct printed graphics to match "Cardinal Red", PMS 485C

Circles to indicate mounting hardware through face, all exposed screws painted to match face

01 FRONT VIEW
1 1/2" = 1'-0"



02 SIDE VIEW
1 1/2" = 1'-0"



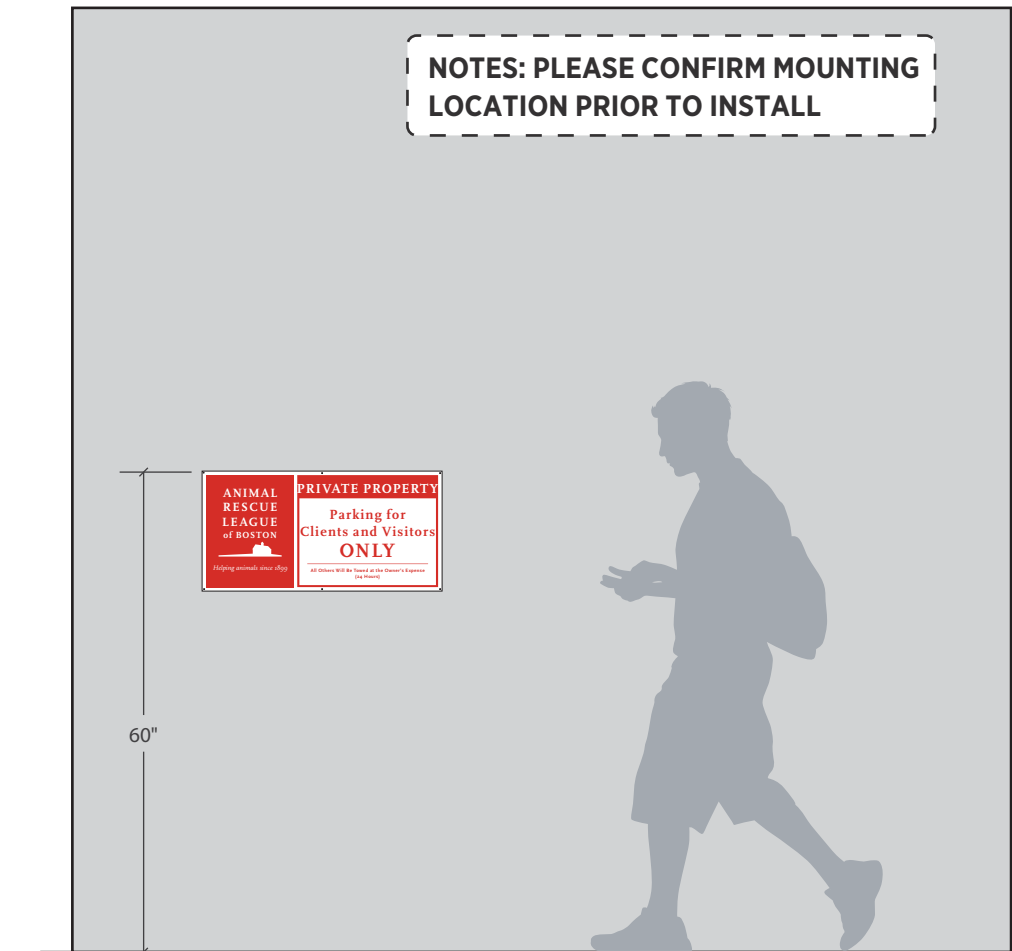
03 MOUNTING DETAIL
6" = 1'-0"

SIGN TYPE F - PRIVATE PROPERTY SIGN

Quantity (2)

PALETTE

- PAINT: TO MATCH 120 WHITE
- PRINT: TO MATCH CARDINAL RED (PMS 485C)



04 ELEVATION
1/2" = 1'-0"



BLUEBIRD
GRAPHIC SOLUTIONS

17 Everberg Road, Unit E
Woburn, MA 01801
info@bluebirdgs.com
617.250.8500

CLIENT
ANIMAL RESCUE LEAGUE

ADDRESS
10 CHANDLER ST
BOSTON, MA 02116

PROJECT
EXTERIOR LETTERS

JOB#
PROJ-25.01763.01

DESIGNER: K. WHITE
PM: A. MORRISON

SIGN TYPE	DRAWING
F	6.0



01 GRAPHIC LAYOUT
3" = 1'-0"



BLUEBIRD
GRAPHIC SOLUTIONS

17 Everberg Road, Unit E
Woburn, MA 01801

info@bluebirdgs.com
617.250.8500

CLIENT
ANIMAL RESCUE LEAGUE

ADDRESS
10 CHANDLER ST
BOSTON, MA 02116

PROJECT
EXTERIOR LETTERS

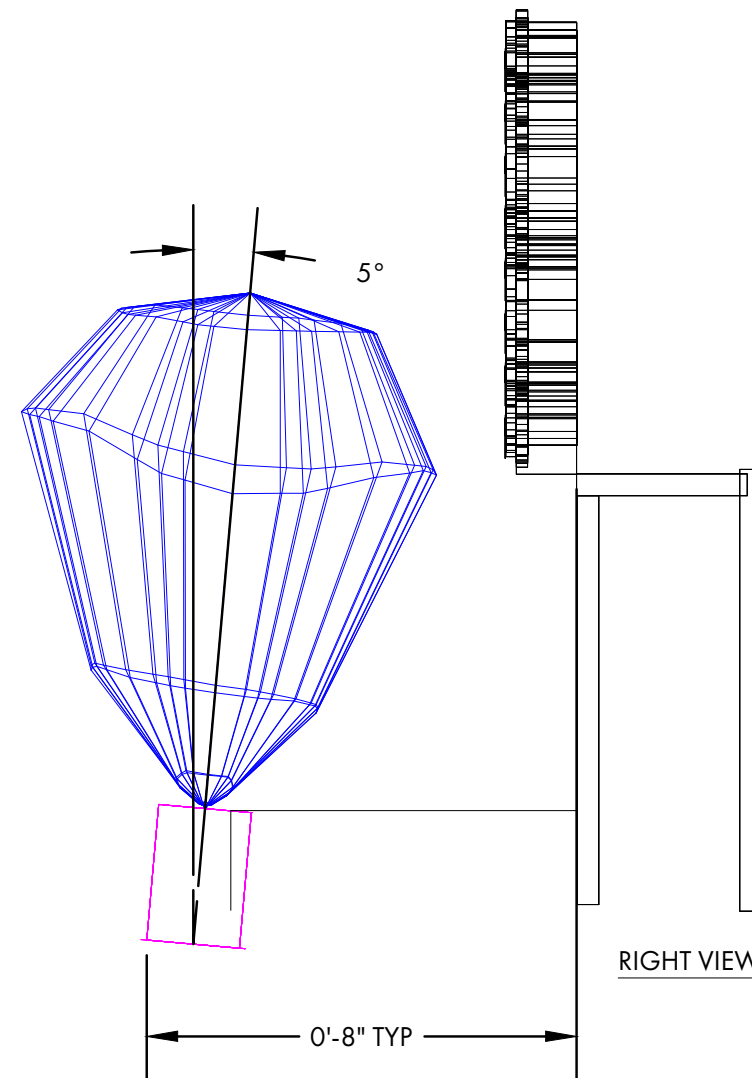
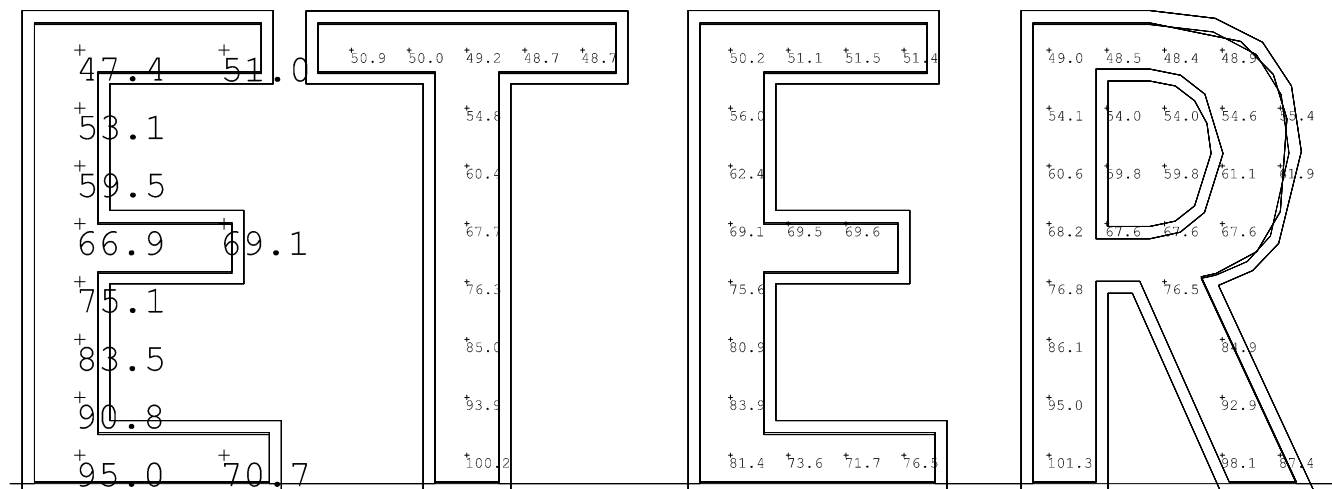
JOB#
PROJ-25.01763.01

DESIGNER: K. WHITE
PM: A. MORRISON

SIGN TYPE	DRAWING
F	6.1

BOSTON VETERINARY CARE

BOSTON VETERINARY CARE



LUMINAIRE SCHEDULE					
Symbol	Qty	Label	Luminaire Lumens	Luminaire Watts	Total Watts
	3	AP/LO/30K/8080/48	1797	24	72

CALCULATION SUMMARY							
Label	CalcType	Units	Avg	Max	Min	Avg/Min	Max/Min
SIGN A	Illuminance	Fc	67.61	101.3	47.4	1.43	2.14



CALCULATIONS RAN IN 40K
 4341 FULCRUM WAY, RIO RANCHO NEW MEXICO 87144
 PH: (505)345-0888 EXT 3063
 EMAIL: ETORTALITA@INSIGHTLIGHTING.COM

PROJECT NAME:
 ANIMAL RESCUE LEAGUE SIGN A - 001
 PHOTOMETRIC CALCULATIONS

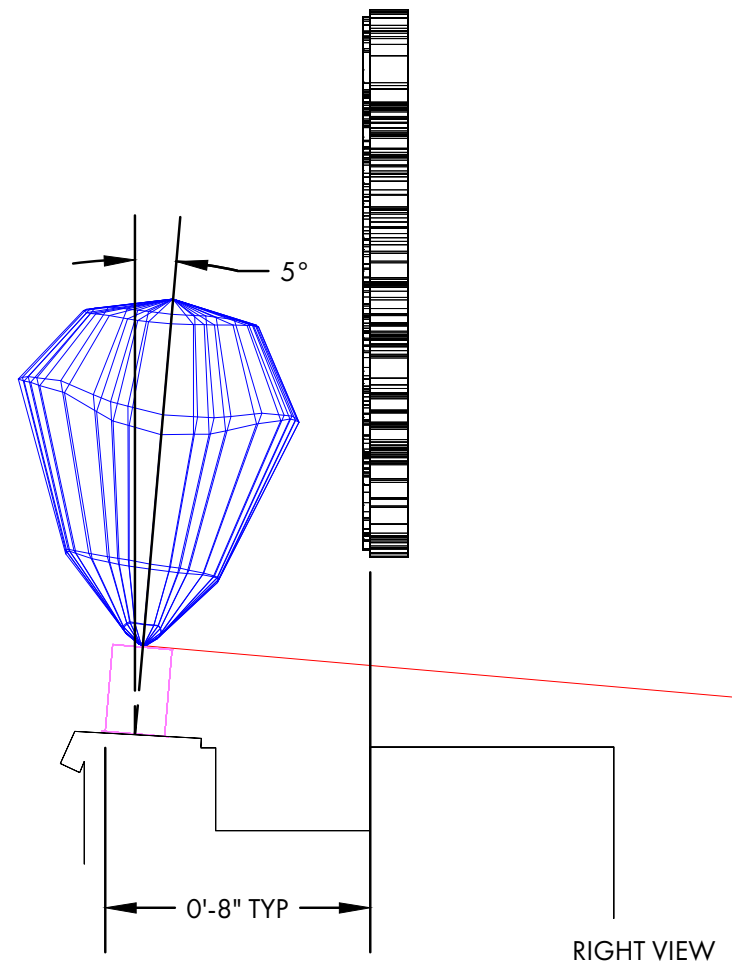
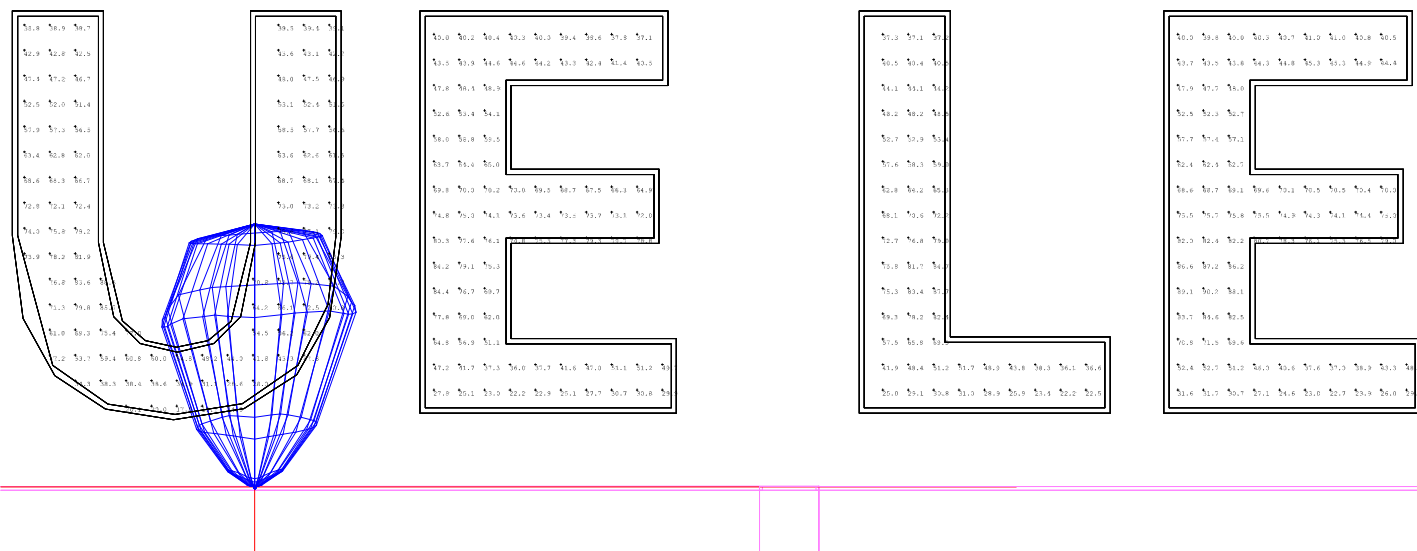
DATE: 04 FEB 2026

AGENT: ERIC PETRICHENKO
 AGENCY: OMNILITE | ILLUMINATE
 LAYOUT: EMILY TORTALITA

THE DATA AND INFORMATION DISCLOSED ON THIS DRAWING ARE THE EXCLUSIVE PROPERTY OF INSIGHT LIGHTING AND APPLICATIONS. REPRODUCTION, COPYING, DISCLOSURE OR USE OF THIS DRAWING, DATA AND INFORMATION WITHOUT WRITTEN PERMISSION OF INSIGHT LIGHTING IS PROHIBITED. COPYRIGHT © 2012 BY INSIGHT LIGHTING. ALL RIGHTS RESERVED. THIS DRAWING IS PROVIDED AS A SERVICE FOR COMPANIES AND DOES NOT CONSTITUTE INSIGHT LIGHTING'S WARRANTY OR GUARANTEE OF THE ACCURACY OF THE MATTERS CONTAINED HEREIN. FIXTURE CONFIGURATION AND FIXTURE LOCATIONS ARE APPROXIMATIONS. ACCURACY OF LIGHT LEVELS IS DEPENDENT ON MULTIPLE VARIABLES WHICH ARE DEFINED IN THIS CALCULATION AND MAY BE AFFECTED BY VARIABLES ATTRIBUTABLE TO THE SPACE TO BE LIGHTED. DEVIATION FROM THESE VARIABLES WILL DEFINITELY ALTER THE LIGHT LEVELS. THE CALCULATIONS PROVIDED HEREIN RELATING TO THE NUMBER OF FIXTURES AND FIXTURE CONFIGURATION CANNOT BE RELIED UPON AND MUST BE VERIFIED BY EITHER AN ARCHITECT, A LIGHTING DESIGNER OR AN ELECTRICAL ENGINEER.

ANIMAL RESCUE LEAGUE OF BOSTON

ANIMAL RESCUE LEAGUE OF BOSTON



LUMINAIRE SCHEDULE					
Symbol	Qty	Label	Luminaire Lumens	Luminaire Watts	Total Watts
	9	AP/LO/30K/8080/48	1797	24	216

CALCULATION SUMMARY							
Label	CalcType	Units	Avg	Max	Min	Avg/Min	Max/Min
SIGN B	Illuminance	Fc	56.36	90.2	14.8	3.81	6.09



CALCULATIONS RAN IN 40K
 4341 FULCRUM WAY, RIO RANCHO NEW MEXICO 87144
 PH: (505)345-0888 EXT 3063
 EMAIL: ETORTALITA@INSIGHTLIGHTING.COM

PROJECT NAME:
 ANIMAL RESCUE LEAGUE SIGN B - 001
 PHOTOMETRIC CALCULATIONS

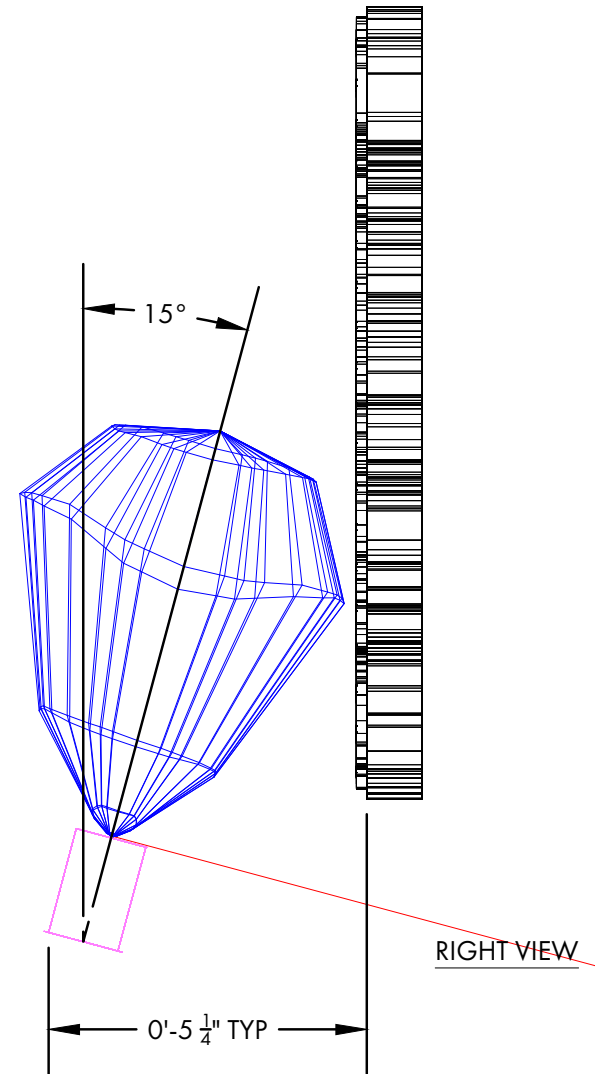
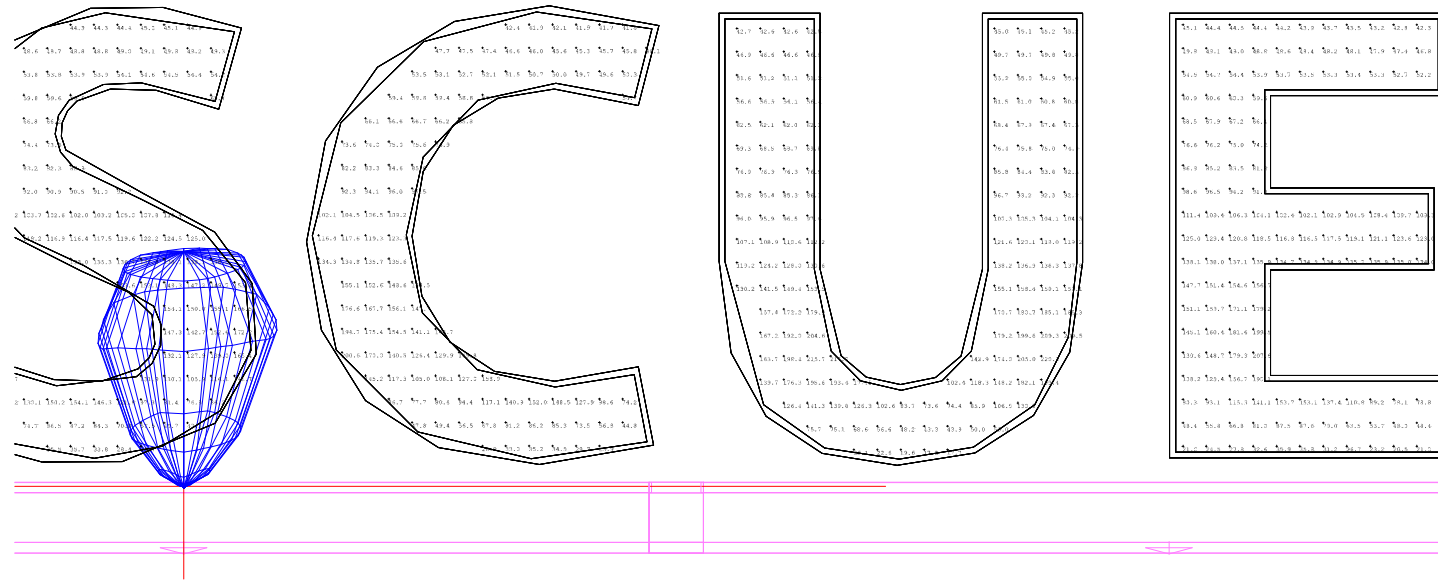
DATE: 04 FEB 2026

AGENT: ERIC PETRICHENKO
 AGENCY: ONILITE | ILLUMINATE
 LAYOUT: EMILY TORTALITA

THE DATA AND INFORMATION DISCLOSED ON THIS DRAWING ARE THE EXCLUSIVE PROPERTY OF INSIGHT LIGHTING AND APPLICATIONS. REPRODUCTION, COPYING, DISCLOSURE OR USE OF THIS DRAWING, DATA AND INFORMATION WITHOUT WRITTEN PERMISSION OF INSIGHT LIGHTING IS PROHIBITED. COPYRIGHT © 2012 BY INSIGHT LIGHTING. ACCURACY OF LIGHT LEVELS IS DEPENDENT ON MULTIPLE VARIABLES WHICH ARE DEFINED IN THIS CALCULATION AND MAY BE AFFECTED BY VARIABLES ATTRIBUTABLE TO THE SPACE TO BE LIGHTED. DEVIATION FROM THESE VARIABLES WILL DEFINITELY ALTER THE LIGHT LEVELS. THE CALCULATIONS PROVIDED HEREIN RELATING TO THE NUMBER OF FIXTURES AND FIXTURE CONFIGURATION CANNOT BE RELIED UPON AND MUST BE VERIFIED BY EITHER AN ARCHITECT, A LIGHTING DESIGNER OR AN ELECTRICAL ENGINEER.

ANIMAL RESCUE LEAGUE OF BOSTON

ANIMAL RESCUE LEAGUE OF BOSTON



LUMINAIRE SCHEDULE					
Symbol	Qty	Label	Luminaire Lumens	Luminaire Watts	Total Watts
	11	AP/LO/30K/8080/48	1797	24	264

CALCULATION SUMMARY							
Label	CalcType	Units	Avg	Max	Min	Avg/Min	Max/Min
SIGN C	Illuminance	Fc	94.15	220.0	17.2	5.47	12.79



CALCULATIONS RAN IN 40K
 4341 FULCRUM WAY, RIO RANCHO NEW MEXICO 87144
 PH: (505)345-0888 EXT 3063
 EMAIL: ETORTALITA@INSIGHTLIGHTING.COM

PROJECT NAME:
 ANIMAL RESCUE LEAGUE SIGN C - 001
 PHOTOMETRIC CALCULATIONS

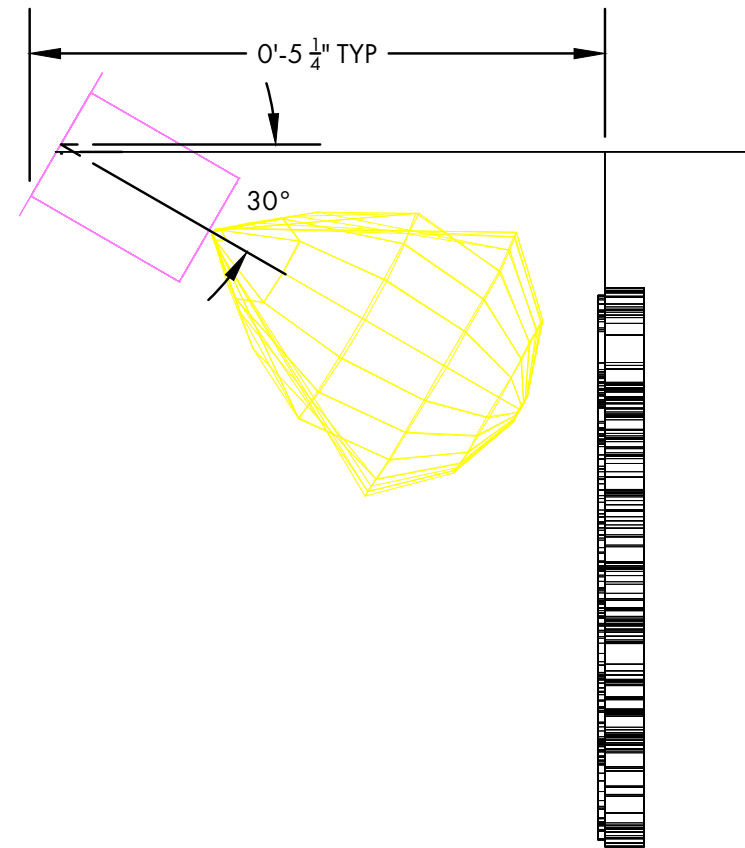
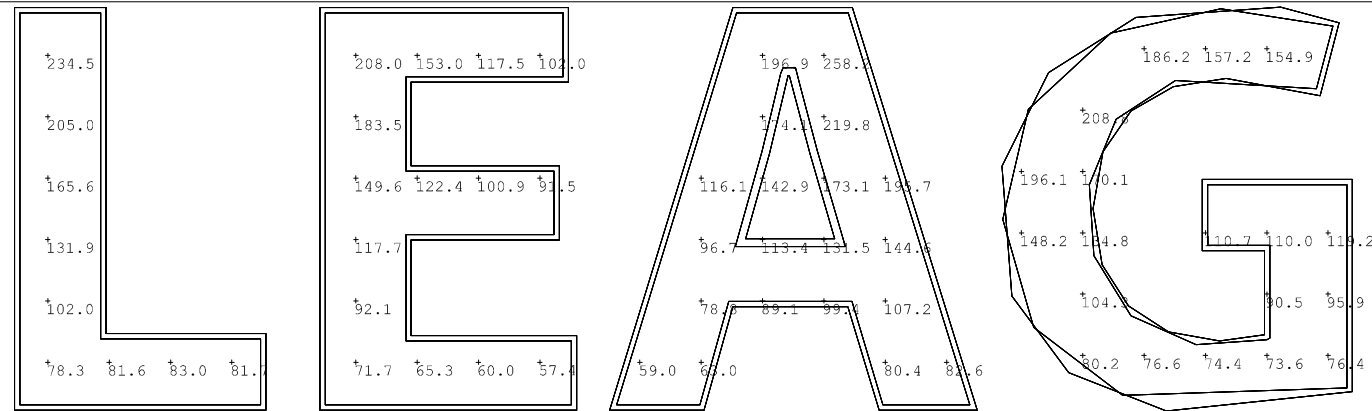
DATE: 04 FEB 2026

AGENT: ERIC PETRICHENKO
 AGENCY: OMNILITE | ILLUMINATE
 LAYOUT: EMILY TORTALITA

THE DATA AND INFORMATION DISCLOSED ON THIS DRAWING ARE THE EXCLUSIVE PROPERTY OF INSIGHT LIGHTING AND APPLICATIONS. REPRODUCTION, COPYING, DISCLOSURE OR USE OF THIS DRAWING, DATA AND INFORMATION WITHOUT WRITTEN PERMISSION OF INSIGHT LIGHTING IS PROHIBITED. COPYRIGHT © 2012 BY INSIGHT LIGHTING. ALL RIGHTS RESERVED. THIS DOCUMENT IS PROVIDED AS A SERVICE FOR COMPATIBLE USE ONLY. NOTHING CONTAINED HEREIN CONSTITUTES A WARRANTY OR GUARANTEE OF THE ACCURACY OF THE DATA OR INFORMATION CONTAINED HEREIN. FIXTURE CONFIGURATION AND FIXTURE LOCATIONS ARE APPROXIMATIONS. ACCURACY OF LIGHT LEVELS IS DEPENDENT ON MULTIPLE VARIABLES WHICH ARE DEFINED IN THIS CALCULATION AND MAY BE AFFECTED BY VARIABLES AFFECTABLE TO THE SPACE TO BE LIGHTED. DEVIATION FROM THESE VARIABLES WILL DEFINITELY ALTER THE LIGHT LEVELS. THE CALCULATIONS PROVIDED HEREIN RELATING TO THE NUMBER OF FIXTURES AND FIXTURE CONFIGURATION CANNOT BE RELIED UPON AND MUST BE VERIFIED BY EITHER AN ARCHITECT, A LIGHTING DESIGNER OR AN ELECTRICAL ENGINEER.

ANIMAL RESCUE LEAGUE OF BOSTON

ANIMAL RESCUE LEAGUE OF BOSTON



RIGHT VIEW

LUMINAIRE SCHEDULE					
Symbol	Qty	Label	Luminaire Lumens	Luminaire Watts	Total Watts
	4	PEX/LO/30K/100100/48	962	44.8	179.2

CALCULATION SUMMARY							
Label	CalcType	Units	Avg	Max	Min	Avg/Min	Max/Min
SIGN D	Illuminance	Fc	124.55	258.2	57.4	2.17	4.50



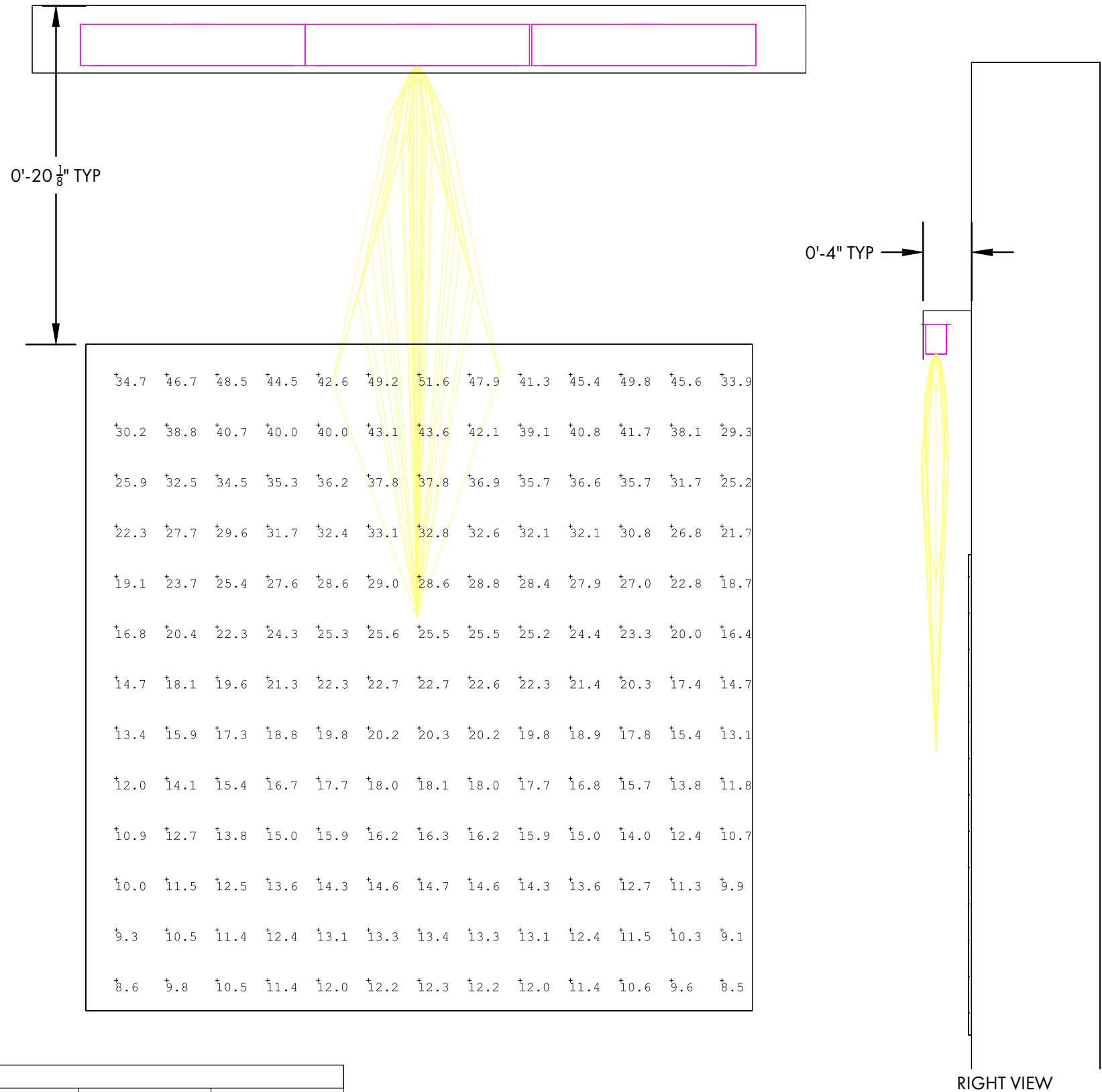
CALCULATIONS RAN IN 40K
 4341 FULCRUM WAY, RIO RANCHO NEW MEXICO 87144
 PH: (505)345-0888 EXT 3063
 EMAIL: ETORTALITA@INSIGHTLIGHTING.COM

PROJECT NAME:
 ANIMAL RESCUE LEAGUE SIGN D - 001
 PHOTOMETRIC CALCULATIONS

DATE: 04 FEB 2026

AGENT: ERIC PETRICHENKO
 AGENCY: OMNILITE | ILLUMINATE
 LAYOUT: EMILY TORTALITA

THE DATA AND INFORMATION DISCLOSED ON THIS DRAWING ARE THE EXCLUSIVE PROPERTY OF INSIGHT LIGHTING AND APPLICATIONS. REPRODUCTION, COPYING, DISCLOSURE OR USE OF THIS DRAWING, DATA AND INFORMATION WITHOUT WRITTEN PERMISSION OF INSIGHT LIGHTING IS PROHIBITED. COPYRIGHT © 2012 BY INSIGHT LIGHTING. ALL RIGHTS RESERVED. THIS DOCUMENT IS PROVIDED AS A SERVICE FOR COMPARED USE ONLY. NOTHING CONTAINED HEREIN CONSTITUTES INSIGHT LIGHTING'S WARRANTY OR GUARANTEE OF THE ACCURACY OF THE MATTERS CONTAINED HEREIN. FIXTURE CONFIGURATION AND FIXTURE LOCATIONS ARE APPROXIMATIONS. ACCURACY OF LIGHT LEVELS IS DEPENDENT ON MULTIPLE VARIABLES WHICH ARE DEFINED IN THIS CALCULATION AND MAY BE AFFECTED BY VARIABLES ATtributable TO THE SPACE TO BE LIGHTED. DEVIATION FROM THESE VARIABLES WILL DEFINITELY ALTER THE LIGHT LEVELS. THE CALCULATIONS PROVIDED HEREIN RELATING TO THE NUMBER OF FIXTURES AND FIXTURE CONFIGURATION CANNOT BE RELIED UPON AND MUST BE VERIFIED BY EITHER AN ARCHITECT, A LIGHTING DESIGNER OR AN ELECTRICAL ENGINEER.



LUMINAIRE SCHEDULE					
Symbol	Qty	Label	Luminaire Lumens	Luminaire Watts	Total Watts
█	3	PEX/HO/30K/1030/SM/12	647	10.22	30.66

CALCULATION SUMMARY							
Label	CalcType	Units	Avg	Max	Min	Avg/Min	Max/Min
SIGN E	Illuminance	Fc	23.02	51.6	8.5	2.71	6.07



CALCULATIONS RAN IN 40K
 4341 FULCRUM WAY, RIO RANCHO NEW MEXICO 87144
 PH: (505)345-0888 EXT 3063
 EMAIL: ETORTALITA@INSIGHTLIGHTING.COM

PROJECT NAME:
 ANIMAL RESCUE LEAGUE SIGN E - 001
 PHOTOMETRIC CALCULATIONS

DATE: 04 FEB 2026

AGENT: ERIC PETRICHENKO
 AGENCY: OMNILITE | ILLUMINATE
 LAYOUT: EMILY TORTALITA

THE DATA AND INFORMATION DISCLOSED ON THIS DRAWING ARE THE EXCLUSIVE PROPERTY OF INSIGHT LIGHTING AND APPLICATIONS. REPRODUCTION, COPYING, DISCLOSURE OR USE OF THIS DRAWING, DATA AND INFORMATION WITHOUT WRITTEN PERMISSION OF INSIGHT LIGHTING IS PROHIBITED. COPYRIGHT © 2012 BY INSIGHT LIGHTING. CALCULATIONS ARE PROVIDED AS A SERVICE FOR COMPARISON USE ONLY. NOTHING CONTAINED HEREIN CONSTITUTES INSIGHT LIGHTING'S WARRANTY OR GUARANTEE OF THE ACCURACY OF THE MATTERS CONTAINED HEREIN. FIXTURE CONFIGURATION AND FIXTURE LOCATIONS ARE APPROXIMATIONS. ACCURACY OF LIGHT LEVELS IS DEPENDENT ON MULTIPLE VARIABLES WHICH ARE DEFINED IN THIS CALCULATION AND MAY BE AFFECTED BY VARIABLES ATTRIBUTABLE TO THE SPACE TO BE LIGHTED. DEVIATION FROM THESE VARIABLES WILL DEFINITELY ALTER THE LIGHT LEVELS. THE CALCULATIONS PROVIDED HEREIN RELATING TO THE NUMBER OF FIXTURES AND FIXTURE CONFIGURATION CANNOT BE RELIED UPON AND MUST BE VERIFIED BY EITHER AN ARCHITECT, A LIGHTING DESIGNER OR AN ELECTRICAL ENGINEER.

PROJECT: _____ TYPE: _____ FIXTURE CATALOG #: AP - - - - -

PROFILE



OUTPUT	LO (6 W/FT), MO (12 W/FT), HO (18 W/FT), VO (24 W/FT)
OPTICAL DISTRIBUTIONS	10° X 10°, 10°X30°, 10° X 60°, 10° X 90°, 20° X 20°, 20°X30°, 20° X 60°, 20°X90°, 30°X30°, 30°X60°, 30°X90°, 40° X 40°, 40° X 60°, 40° X 90°, 60° X 60°, 80° X 80°, 90° X 90°, ASYMMETRIC GRAZE
CCTS	2200K, 2700K, 3000K, 3500K, 4000K
STATIC COLORS	RED, GREEN, BLUE, AMBER, TURTLE FRIENDLY AMBER
CRI	82 (OPTIONAL 90+)
PERFORMANCE	UP TO: 87.3 LM/W, 8,420 LUMENS, 148,436 PEAK CANDELA
VOLTAGE	120VAC, 277VAC, INTEGRAL DRIVER 380VDC - REMOTE DRIVER, POWERED BY MARATHON TECHNOLOGY
CONTROL	NO DIMMING, 0-10V, DMX DIMMING
FIXTURE LENGTHS	12", 24", 36", 48", 60"
WEIGHT	2.41 LB/FT
HOUSING	PRECISION EXTRUDED ALUMINUM
LENS	HIGH DENSITY TEMPERED GLASS
FINISH	HIGH DURABILITY POWDER COATING
OPERATING TEMP.	-20° C TO 50° C
WARRANTY	5-YEAR LIMITED
LUMEN MAINTENANCE	75,000 HOURS
CERTIFICATION	ETL AND CETL FOR IP67, IK07, 3G, COMPLIES WITH BUY AMERICAN ACT
PATENT	US PATENT 12,516,785B1



MARATHON TECHNOLOGY

Create long run lengths on a single driver with Insight's MARATHON 380VDC power system, delivering dramatically increased reliability and lower lifetime cost.

PATENTED PROLINK CONNECT SYSTEM

Experience the difference of an aesthetically engineered system that eliminates visible wiring to define clean, uninterrupted architectural lines with Insight's patented ProLink Connect cable cover and connection system.

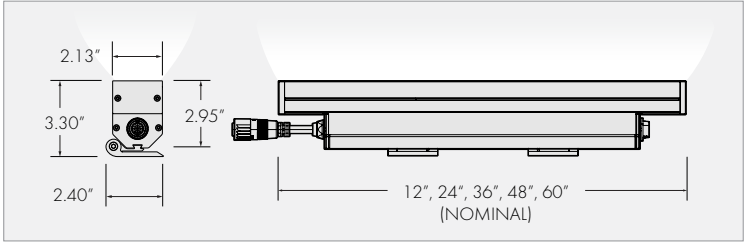
ADVANCED CABLE SYSTEM

Insight Lighting's Advanced Cable System is designed for plug-and-play installations, delivering unmatched consistency in lighting performance.

POWER & DATA BOX WITH SURGE PROTECTION

Insight's PROSURGE power & data box transitions data and power, with 20 KA surge protection for Insight's Plug & Play cable system.

PROFILE



PROJECT: _____ TYPE: _____ FIXTURE CATALOG #: AP - - - - -

FIXTURE SPECIFICATION

AP _____ Separate options with dashes

1 2 3 4 5 6 7 8 9

1 FIXTURE

ARGO PRO AP

2 WATTAGE

LOW OUTPUT LO
6 W/FT

MEDIUM OUTPUT MO
12 W/FT

HIGH OUTPUT HO
18W/FT

MAXIMUM OUTPUT VO
24 W/FT

3 CCT

2200K 2200K

2700K 2700K

3000K 3000K

3500K 3500K

4000K 4000K

STATIC RED REDST

STATIC GREEN GRNST

STATIC BLUE BLUST

STATIC AMBER AMBST
AMBST is not turtle friendly. See below for for Turtle Friendly Amber

TURTLE FRIENDLY AMBER TFAMB

4 OPTICAL DISTRIBUTION

10° X 10° 1010

10° X 30° 1030

10° X 60° 1060

10° X 90° 1090

20° X 20° 2020

20° X 30° 2030

20° X 60° 2060

20° X 90° 2090

30°X10° 3010

30° X 30° 3030

30° X 60° 3060

30° X 90° 3090

40° X 40° 4040

40° X 60° 4060

40° X 90° 4090

60° X 10° 6010

60° X 60° 6060

80° X 80° 8080

90° X 90° 9090

WHITE DIFUSE LENS WHDL

ASYMMETRIC GRAZE UPLIGHT, LEFT POWER FEED ¹ ASUL

ASYMMETRIC GRAZE UPLIGHT, RIGHT POWER FEED ¹ ASUR

ASYMMETRIC GRAZE DOWNLIGHT, LEFT POWER FEED ¹ ASDL

ASYMMETRIC GRAZE DOWNLIGHT, RIGHT POWER FEED ¹ ASDR

¹ Asym Graze: See page 6 for details.

5 FIXTURE LENGTH

12" 12

24" 24

36" 36

48" 48

60" 60

6 VOLTAGE

INTEGRAL

120VAC 120

277VAC 277

Contact factory for additional voltages

MARATHON REMOTE TECHNOLOGY

380VDC MAR

380VDC requires Insight's Marathon 380VDC remote power supply. Must be ordered separately. See page 4 for details.

7 CONTROL OPTIONS

NON DIMMING NON

0-10V DIMMING (1%) DIM

DMX DIMMING ² DMX

² Fixtures are shipped w/ default set at address 1

² Fixtures are not pre-addressed or labeled at the factory. A DMXCAT Tool is required for on-site fixture resolution/addressing. See page 4 for details.

² A CDS/RDM Distribution Kit is required. Must be ordered separately. See page 4 for details.

² DMX controls are required. Order separately.

8 FIXTURE FINISH

TEXTURED WHITE TWH

TEXTURED BLACK TBL

TEXTURED BRONZE TBR

TEXTURED LIGHT BRONZE TLB

TEXTURED GRAY TGR

TEXTURED NATURAL TNA

TEXTURED SANDSTONE TSA

ANODIZED PAINTED FINISH ANA

CUSTOM COLOR CUS
Contact factory for custom color. Additional charges will apply.

9 OPTIONS

HIGH CRI 90+ HIC

INTERNAL HONEYCOMB LOUVER IHL
Finish to match fixture housing.

INTERNAL VERTICAL LOUVER IVL
Finish to match fixture housing.

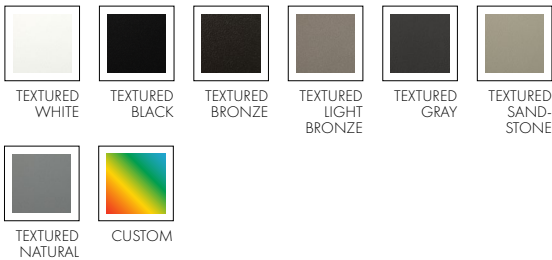
INTERNAL HORIZ. LOUVER ILL
Finish to match fixture housing.

WHITE CABLE WCA
White fixtures are provided white cables as standard. All other fixture finishes are provided with black cables, unless the WCA option is specified.

CORROSION RESISTANT FINISH CRF
Complies with ASTM B117 and is recommended for coastal or extreme exterior environments.

BUILD AMERICA BUY AMERICA ACT BAB
Complies with BAA.

STANDARD FINISHES

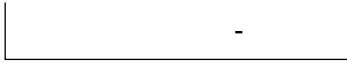


OPTIONS & ACCESSORIES



PROJECT: _____ TYPE: _____ FIXTURE CATALOG #: AP - - - - -

ORDERING LOGIC: MOUNTING - REQUIRED (ORDER SEPARATELY)



1 MOUNTING OPTION	12" FIXTURE	24" - 60" FIXTURE
FIXED MOUNT	SA28170-1	SA28170
HINGE MOUNT	SA28104-1	SA28104
WALL MOUNT	SA28105-1	SA28105
GROUND MOUNT	SA28106-1	SA28106
EXTENDED ARM, WALL - 2.5" ARM	SA28107-1-6	SA28107-6
EXTENDED ARM, WALL - 8.5" ARM	SA28107-1-12	SA28107-12
EXTENDED ARM, WALL - 14.5" ARM	SA28107-1-18	SA28107-18
EXTENDED ARM, WALL - 20.5" ARM	SA28107-1-24	SA28107-24
PENDANT, CEILING/GROUND MOUNT - 1.5" PENDANT	SA28108-1-6	SA28108-6
PENDANT, CEILING/GROUND MOUNT - 7.5" PENDANT	SA28108-1-12	SA28108-12
PENDANT, CEILING/GROUND MOUNT - 13.5" PENDANT	SA28108-1-18	SA28108-18
PENDANT, CEILING/GROUND MOUNT - 19.5" PENDANT	SA28108-1-24	SA28108-24
STAKE MOUNT	SA28110-1	SA28110

2 MOUNTING FINISH	
TEXTURED WHITE	TWH
TEXTURED BLACK	TBL
TEXTURED BRONZE	TBR
TEXTURED LIGHT BRONZE	TLB
TEXTURED GRAY	TGR
TEXTURED NATURAL	TNA
TEXTURED SANDSTONE	TSA
ANODIZED PAINTED FINISH	ANA
CUSTOM COLOR	CUS

Contact factory for custom color. Additional charges will apply.

ORDERING LOGIC: PROLINK OPTIONS (ORDER SEPARATELY)



1 PROLINK CONDUIT J-BOX OPTIONS (INCLUDES REQUIRED FIXTURE MOUNTING OPTION)	PART NUMBER
PROLINK CONDUIT J-BOX WITH FIXED MOUNT	SA28177-FM
PROLINK CONDUIT J-BOX WITH HINGE MOUNT	SA28177-HM
PROLINK CONDUIT J-BOX WITH WALL MOUNT	SA28177-WM
PROLINK CONDUIT J-BOX WITH GROUND MOUNT	SA28177-GM
PROLINK CONDUIT J-BOX WITH EXTENDED ARM, WALL - 2.5" ARM	SA28177-E6
PROLINK CONDUIT J-BOX WITH EXTENDED ARM, WALL - 8.5" ARM	SA28177-E12
PROLINK CONDUIT J-BOX WITH EXTENDED ARM, WALL - 14.5" ARM	SA28177-E18
PROLINK CONDUIT J-BOX WITH EXTENDED ARM, WALL - 20.5" ARM	SA28177-E24
PROLINK CONDUIT J-BOX WITH PENDANT, CEILING/GROUND - 1.5" PENDANT	SA28177-P6
PROLINK CONDUIT J-BOX WITH PENDANT, CEILING/GROUND - 7.5" PENDANT	SA28177-P12
PROLINK CONDUIT J-BOX WITH PENDANT, CEILING/GROUND - 13.5" PENDANT	SA28177-P18
PROLINK CONDUIT J-BOX WITH PENDANT, CEILING/GROUND - 19.5" PENDANT	SA28177-P24
PROLINK CONDUIT J-BOX WITH STAKE MOUNT	SA28177-ST

2 PROLINK CONDUIT J-BOX FINISH	
TEXTURED WHITE	TWH
TEXTURED BLACK	TBL
TEXTURED BRONZE	2 TBR
TEXTURED LIGHT BRONZE	TLB
TEXTURED GRAY	TGR
TEXTURED NATURAL	TNA
TEXTURED SANDSTONE	TSA
ANODIZED PAINTED FINISH	ANA
CUSTOM COLOR	CUS

Contact factory for custom color. Additional charges will apply.

1 PROLINK CONNECT CABLE COVER OPTION (NOT AVAILABLE WITH 12" FIXTURES)	PART NUMBER
PROLINK CONNECT START ¹	SA28178
<small>Not available with Extended Arm Wall. See SA28179 below.</small>	
PROLINK CONNECT START FOR EXTENDED ARM WALL	SA28179
<small>Intended for Extended Arm, Wall only (SA28107-X)</small>	
PROLINK CONNECT MID FOR PLUG AND PLAY SYSTEM ¹	SA28180
<small>ProLink Mid is intended for straight runs only.</small>	
PROLINK CONNECT END ¹	SA28181
<small>ProLink Connect End for end of continuous run.</small>	

¹ Not recommended with Fixed Mount (SA28170-1 / SA28170)

2 PROLINK CONNECT CABLE COVER FINISH	
TEXTURED WHITE	TWH
TEXTURED BLACK	TBL
TEXTURED BRONZE	TBR
TEXTURED LIGHT BRONZE	TLB
TEXTURED GRAY	TGR
TEXTURED NATURAL	TNA
TEXTURED SANDSTONE	TSA
ANODIZED PAINTED FINISH	ANA
CUSTOM COLOR	CUS

Contact factory for custom color. Additional charges will apply.

PROJECT: _____ TYPE: _____ FIXTURE CATALOG #: AP - - - - -

ORDERING LOGIC: SHIELDING ACCESSORIES OPTIONS (ORDER SEPARATELY)



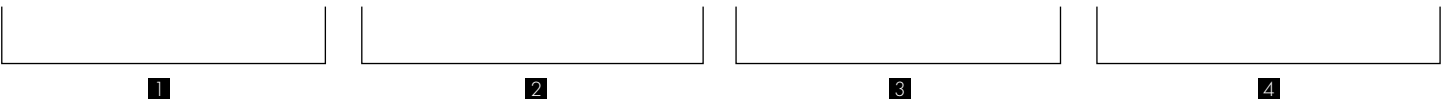
1 SHIELDING ACCESSORIES	12" FIXTURE	24" FIXTURE	36" FIXTURE	48" FIXTURE	60" FIXTURE
LOUVER ¹	SA28111-1	SA28111-2	SA28111-3	SA28111-4	SA28111-5
VISOR	SA28112-1	SA28112-2	SA28112-3	SA28112-4	SA28112-5
SHIELD/MASKING PLATE	SA28113-1	SA28113-2	SA28113-3	SA28113-4	SA28113-5

2 SHIELDING ACCESSORY FINISH	
TEXTURED WHITE	TWH
TEXTURED BLACK	TBL
TEXTURED BRONZE	TBR
TEXTURED LIGHT BRONZE	TLB
TEXTURED GRAY	TGR
TEXTURED NATURAL	TNA
TEXTURED SANDSTONE	TSA
ANODIZED PAINTED FINISH	ANA
CUSTOM COLOR	CUS

Contact factory for custom color. Additional charges will apply.

¹ 18% light loss factor with louver

ORDERING LOGIC: CABLES - SEE PAGE 15



1 LEADER CABLES	BLACK	WHITE
5.0 FT LEADER CABLE	EL12430-5-B	EL12430-5-W
10.0 FT LEADER CABLE	EL12430-10-B	EL12430-10-W
25.0 FT LEADER CABLE	EL12430-25-B	EL12430-25-W

A leader cables is required for standard J-box installations.
Leaders and jumpers are not rated for direct burial. See local codes for installation.

2 JUMPER CABLES	BLACK	WHITE
1.0 FT JUMPER CABLE	EL12288-1-B	EL12288-1-W
2.0 FT JUMPER CABLE	EL12288-2-B	EL12288-2-W
5.0 FT JUMPER CABLE	EL12288-5-B	EL12288-5-W
10.0 FT JUMPER CABLE	EL12288-10-B	EL12288-10-W
25.0 FT JUMPER CABLE	EL12288-25-B	EL12288-25-W

A jumper cable is required for PROSURGE POWER & DATA with Surge Protection (see below for details).

3 DMX TERMINATOR	BLACK	WHITE
DMX TERMINATOR	EL12291-B	EL12291-W

One required per DMX run

4 CONNECTOR CAP	BLACK	WHITE
CONNECTOR CAP	EL11900-B	EL11900-W

Required for No Dimming and 0-10V dimming

MARATHON REMOTE 380VDC TECHNOLOGY



1 MARATHON TECHNOLOGY - REQUIRED FOR MARATHON REMOTE	PART NUMBER
REMOTE POWER SUPPLY, 380VDC, 2300W, 277V INPUT, IP67	EL12419

PROSURGE POWER & DATA BOX WITH SURGE PROTECTION



1 PROSURGE POWER & DATA BOX - OPTIONAL	PART NUMBER
PROSURGE POWER & DATA BOX - FOR 120-277V 0-10V	SA28174
PROSURGE POWER & DATA BOX - FOR 120-277V DMX	SA28176

Transitions Data and Power, with 20KA surge protection for Insight's Plug and Play cable system. One required per continuous run.
A jumper cable is required. See page above.
Not available with ProLink Conduit JBox.

ORDERING LOGIC: DMX TOOLS FOR DMX DIMMING



1 DMX/RDM DISTRIBUTION KIT	PART NUMBER
CDS-RDM - DMX/RDM DISTRIBUTION KIT - IP67	SA27411

Consists of 4 output.
Each output is limited to (1) run per output - up to 96 fixtures max, 48 fixtures max per run if using 5ft fixtures.



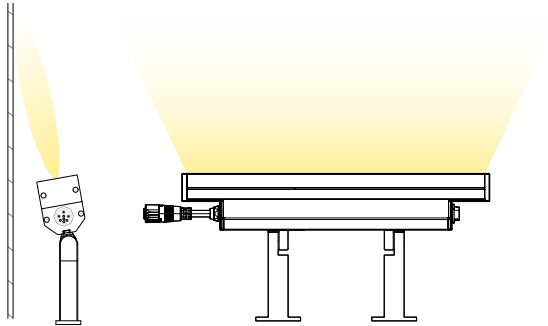
1 REMOTE DMX/RDM MONITORING TOOL	PART NUMBER
DMX/RDM ADDRESSING & MONITORING TOOL	SA27636

Uses Bluetooth LE technology for communication with the smartphone and the DMXcat app (up to a 50' range). Allows for on-site fixture resolution and addressing.

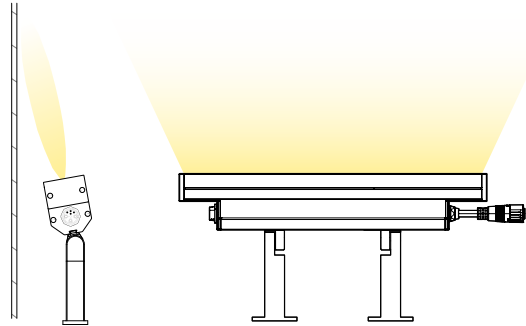
PROJECT: _____ TYPE: _____ FIXTURE CATALOG #: AP - - - - -

ASYMMETRIC DISTRIBUTIONS/LIGHT DIRECTION /FEED LOCATIONS

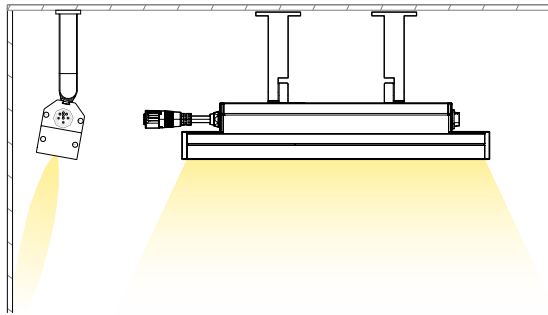
ASYMMETRIC GRAZE UPLIGHT | LEFT POWER FEED



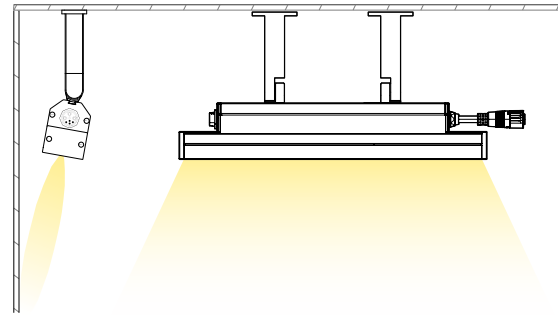
ASYMMETRIC GRAZE UPLIGHT | RIGHT POWER FEED



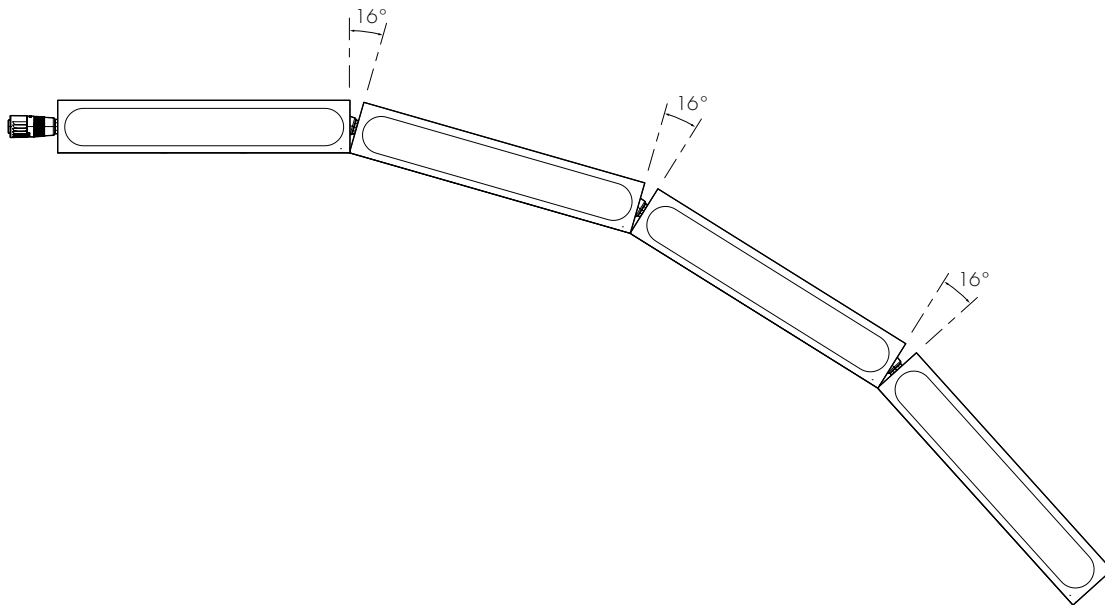
ASYMMETRIC GRAZE DOWNLIGHT | LEFT POWER FEED



ASYMMETRIC GRAZE DOWNLIGHT | RIGHT POWER FEED




MAXIMUM BEND RADIUS - 12" FIXTURES



PROJECT: _____ TYPE: _____ FIXTURE CATALOG #: AP - - - - -

MAXIMUM RUN LENGTH IN FEET

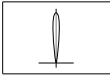
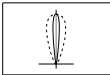
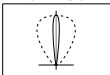
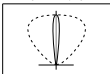
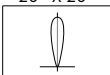
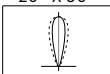
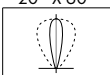
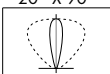
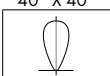
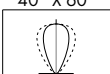
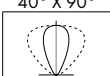
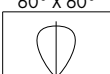
MAXIMUM RUN LENGTHS IN FEET.
ALL DISTANCES ARE CALCULATED AS CONTINUOUS RUNS

	INTEGRAL POWER SUPPLY 120VAC	INTEGRAL POWER SUPPLY 277VAC	 MARATHON TECHNOLOGY REMOTE POWER SUPPLY 380VDC, 2300W, 277V INPUT
NON-DIMMING	NOT TO EXCEED STATED RUN LENGTHS		
LO OUTPUT 6W/FT	268'	619'	460'
MO OUTPUT 12W/FT	156'	360'	230'
HO OUTPUT 18W/FT	104'	240'	153'
VO OUTPUT 24W/FT	71'	164'	105'
0-10V DIMMING	CONTROL CURRENT IS ≤ 1mA @ 10VDC PER FIXTURE NOT TO EXCEED STATED RUN LENGTHS		
LO OUTPUT 6W/FT	268'	400'	400'
MO OUTPUT 12W/FT	156'	360'	230'
HO OUTPUT 18W/FT	104'	240'	153'
VO OUTPUT 24W/FT	71'	164'	105'
DMX DIMMING	96 FIXTURES MAX PER RUN, NOT TO EXCEED STATED RUN LENGTHS 48 FIXTURES MAX PER RUN IF USING 5FT FIXTURES		
LO OUTPUT 6W/FT	268'	384'	384'
MO OUTPUT 12W/FT	156'	360'	230'
HO OUTPUT 18W/FT	104'	240'	153'
VO OUTPUT 24W/FT	71'	164'	105'
ALL CALCULATIONS ARE BASED ON 16AWG CABLE. DISTANCES APPLY TO CONTINUOUS RUNS ONLY. ANY CHANGES TO LAYOUT WILL ALTER THE RUN LENGTH. CONTACT FACTORY FOR MORE INFORMATION.			

PROJECT: _____ TYPE: _____ FIXTURE CATALOG #: AP - - - - -

PERFORMANCE

BASED ON 48" FIXTURE, 4000K

OPTIC	LOW OUTPUT				MEDIUM OUTPUT				HIGH OUTPUT				MAXIMUM OUTPUT			
	LUMENS	WATTS	LM/W	PEAK CANDELA CBCP	LUMENS	WATTS	LM/W	PEAK CANDELA CBCP	LUMENS	WATTS	LM/W	PEAK CANDELA CBCP	LUMENS	WATTS	LM/W	PEAK CANDELA CBCP
10° X 10° 	2,074	24	86.1	37,109	4,148	48.2	86.1	74,218	6,222	72	86.1	111,327	8,296	96.4	86.1	148,436
10° X 30° 	1,849	24	76.7	11,067	3,698	48.2	76.7	22,134	5,547	72	76.7	33,201	7,396	96.4	76.7	44,268
10° X 60° 	1,830	24	75.9	6,348	3,660	48.2	75.9	12,696	5,490	72	75.9	19,044	7,320	96.4	75.9	25,392
10° X 90° 	1,786	24	74.1	3,331	3,572	48.2	74.1	6,662	5,358	72	74.1	9,993	7,144	96.4	74.1	13,324
20° X 20° 	1,937	24	80.4	15,279	3,874	48.2	80.4	30,558	5,811	72	80.4	45,837	7,748	96.4	80.4	61,116
20° X 30° 	1,781	24	73.9	6,843	3,562	48.2	73.9	13,686	5,343	72	73.9	20,529	7,124	96.4	73.9	27,372
20° X 60° 	1,733	24	71.9	4,183	3,466	48.2	71.9	8,366	5,199	72	71.9	12,549	6,932	96.4	71.9	16,732
20° X 90° 	1,688	24	70.0	2,592	3,376	48.2	70.0	5,184	5,064	72	70.0	7,776	6,752	96.4	70.0	10,368
40° X 40° 	2,105	24	87.3	3,726	4,210	48.2	87.3	7,452	6,315	72	87.3	11,178	8,420	96.4	87.3	14,904
40° X 60° 	1,862	24	77.3	1,839	3,724	48.2	77.3	3,678	5,586	72	77.3	5,517	7,448	96.4	77.3	7,356
40° X 90° 	1,785	24	74.1	1,344	3,570	48.2	74.1	2,688	5,355	72	74.1	4,032	7,140	96.4	74.1	5,376
60° X 60° 	1,971	24	81.8	2,170	3,942	48.2	81.8	4,340	5,913	72	81.8	6,510	7,884	96.4	81.8	8,680

THE ABOVE DATA IS FOR 0-10V DIMMING. MULTIPLY THE 0-10V DATA BY 0.80 (LLF) FOR DMX DIMMING ON ALL WHITE LIGHT.
18% LIGHT LOSS FACTOR WITH LOUVER

ALL INSIGHT WHITE LIGHT IES FILES ARE CALCULATED WITH 4000K. FOR ESTIMATIONS OF ADDITIONAL CCTS, PLEASE USE THE FOLLOWING MULTIPLIERS:

	2700K MULTIPLIER	3000K MULTIPLIER	3500K MULTIPLIER
LUMEN MULTIPLIERS	0.87	0.90	0.95

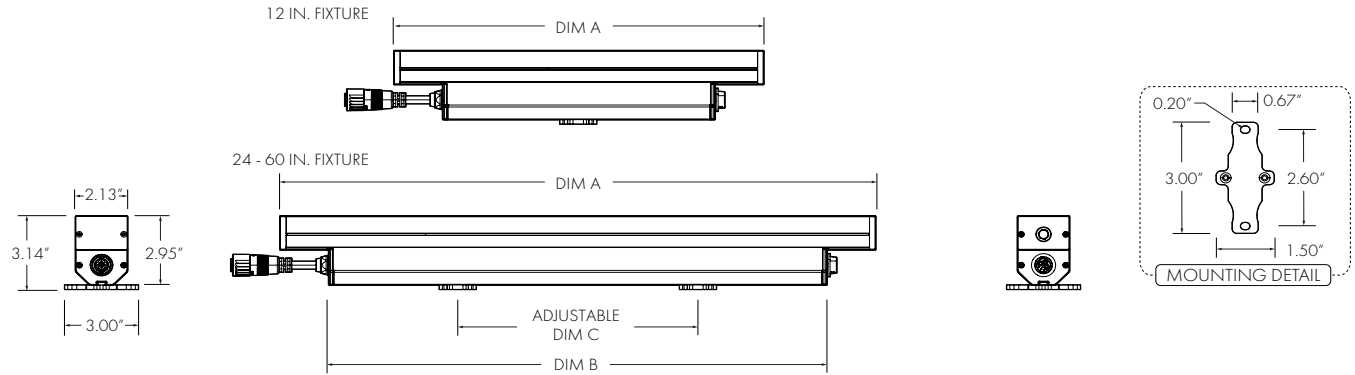
MULTIPLY THE 4000K LUMEN DATA BY THE ABOVE MULTIPLIERS

PROJECT: _____ TYPE: _____ FIXTURE CATALOG #: AP - - - - -

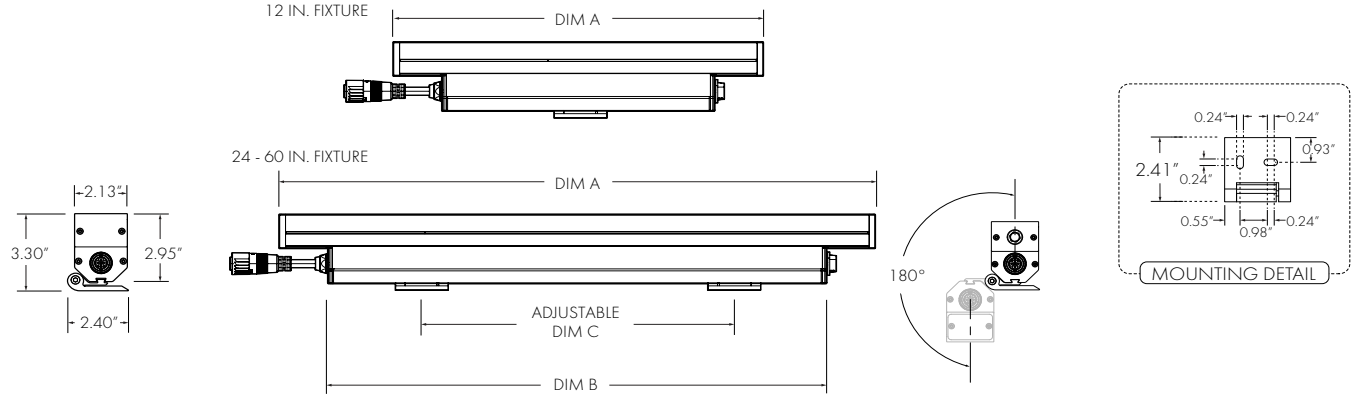
MOUNTING OPTION DIMENSIONS

DIMENSION	12.00"	24.00"	36.00"	48.00"	60.00"
DIM A	12.56"	24.37"	36.18"	48.00"	59.81"
DIM B	8.60"	20.24"	32.06"		55.68"
DIM C	NA	6.00" MIN 12.00" MAX	12.00" MIN 24.00" MAX	18.00" MIN 30.00" MAX	24.00" MIN 36.00" MAX

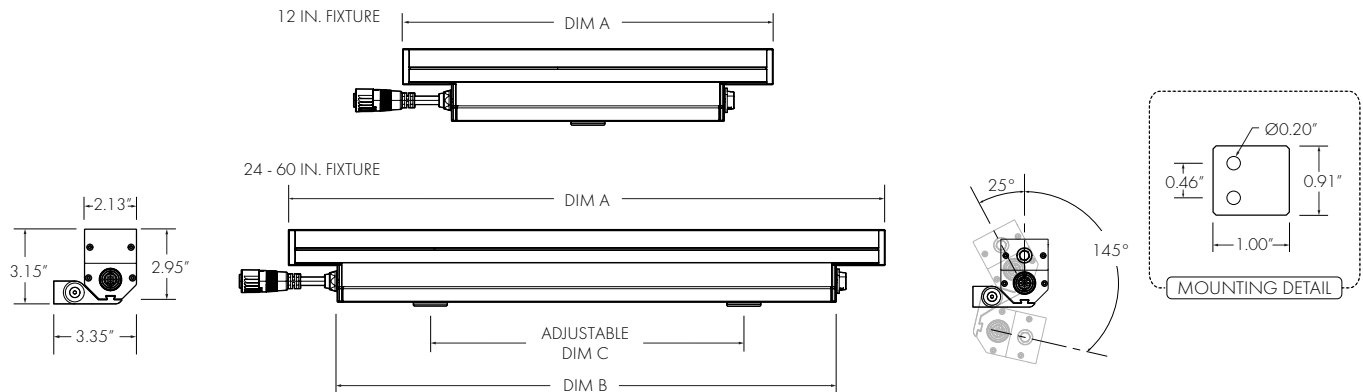
FIXED MOUNT (SA28170-1 / SA28170)



HINGE MOUNT (SA28104-1 / SA28104)



WALL MOUNT (SA28105-1 / SA28105)

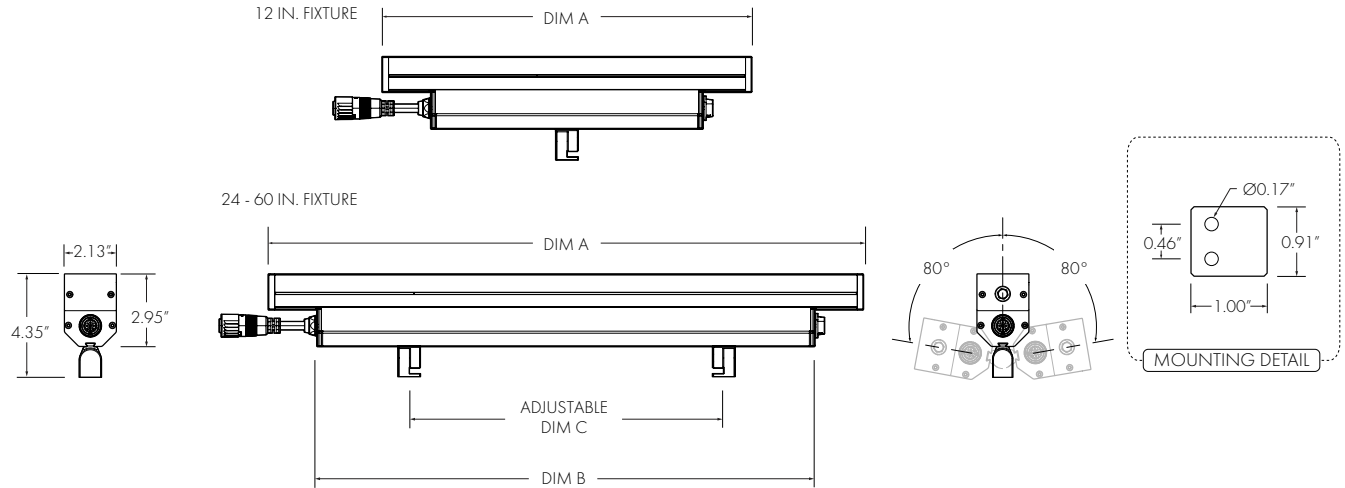


PROJECT:	TYPE:	FIXTURE CATALOG #:	AP	-	-	-	-	-	-
----------	-------	--------------------	----	---	---	---	---	---	---

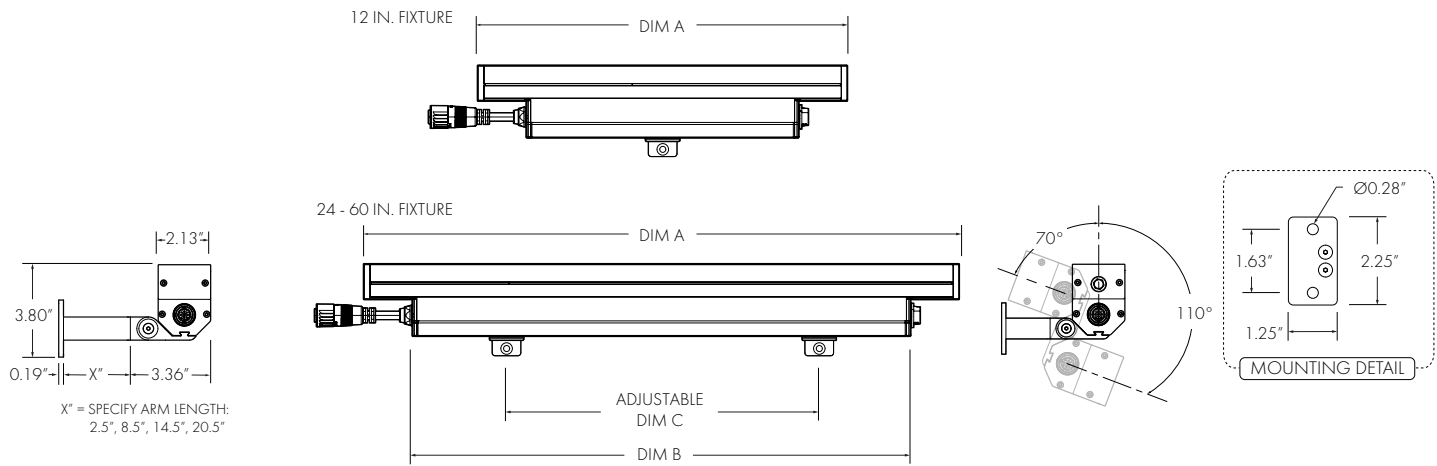
DIMENSIONS

DIMENSION	12.00"	24.00"	36.00"	48.00"	60.00"
DIM A	12.56"	24.37"	36.18"	48.00"	59.81"
DIM B	8.60"	20.24"	32.06"		55.68"
DIM C	NA	6.00" MIN 12.00" MAX	12.00" MIN 24.00" MAX	18.00" MIN 30.00" MAX	24.00" MIN 36.00" MAX

GROUND MOUNT (SA28106-1/ SA28106)



EXTENDED ARM, WALL MOUNT (SA28107-1-X/ SA28107-X)

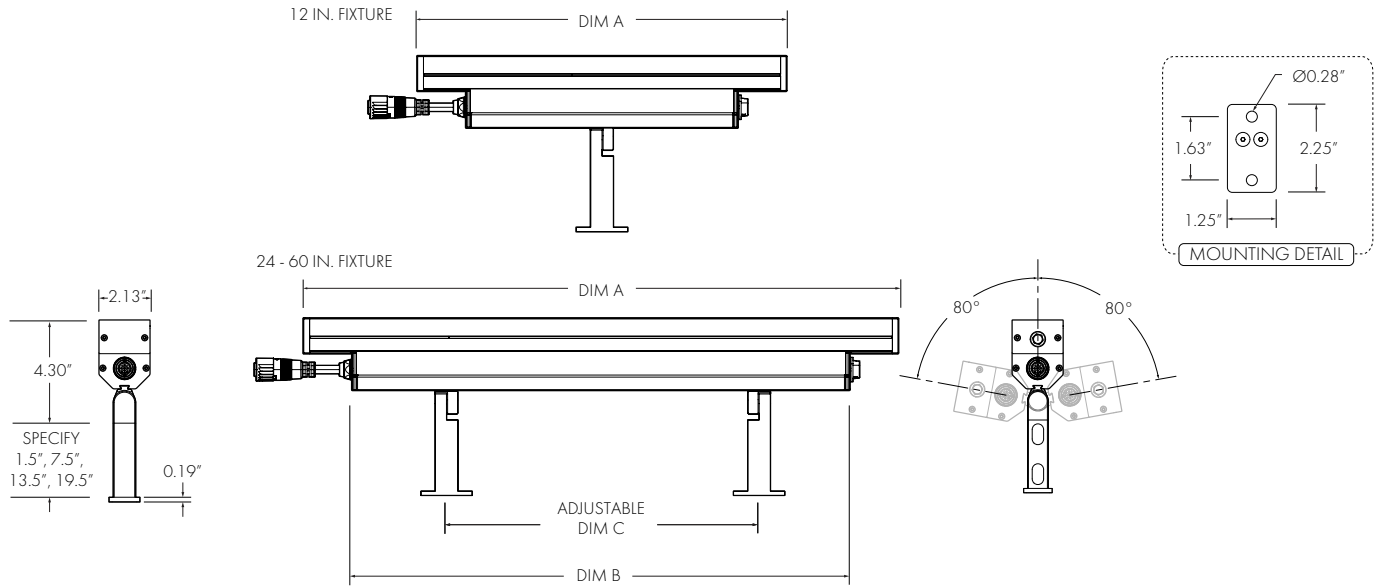


PROJECT: _____ TYPE: _____ FIXTURE CATALOG #: AP - - - - -

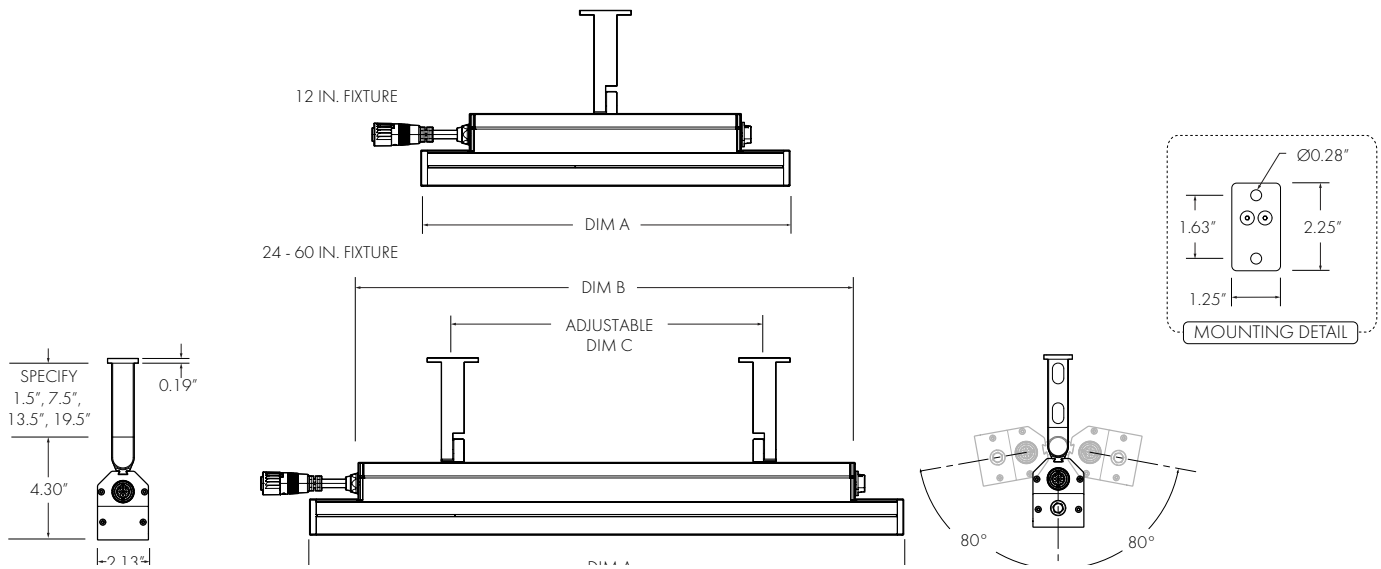
DIMENSIONS

DIMENSION	12.00"	24.00"	36.00"	48.00"	60.00"
DIM A	12.56"	24.37"	36.18"	48.00"	59.81"
DIM B	8.60"	20.24"	32.06"		55.68"
DIM C	NA	6.00" MIN 12.00" MAX	12.00" MIN 24.00" MAX	18.00" MIN 30.00" MAX	24.00" MIN 36.00" MAX

PENDANT, GROUND MOUNT (SA28108-1-X/ SA28108-X)



PENDANT, CEILING MOUNT (SA28108-1-X/ SA28108-X)

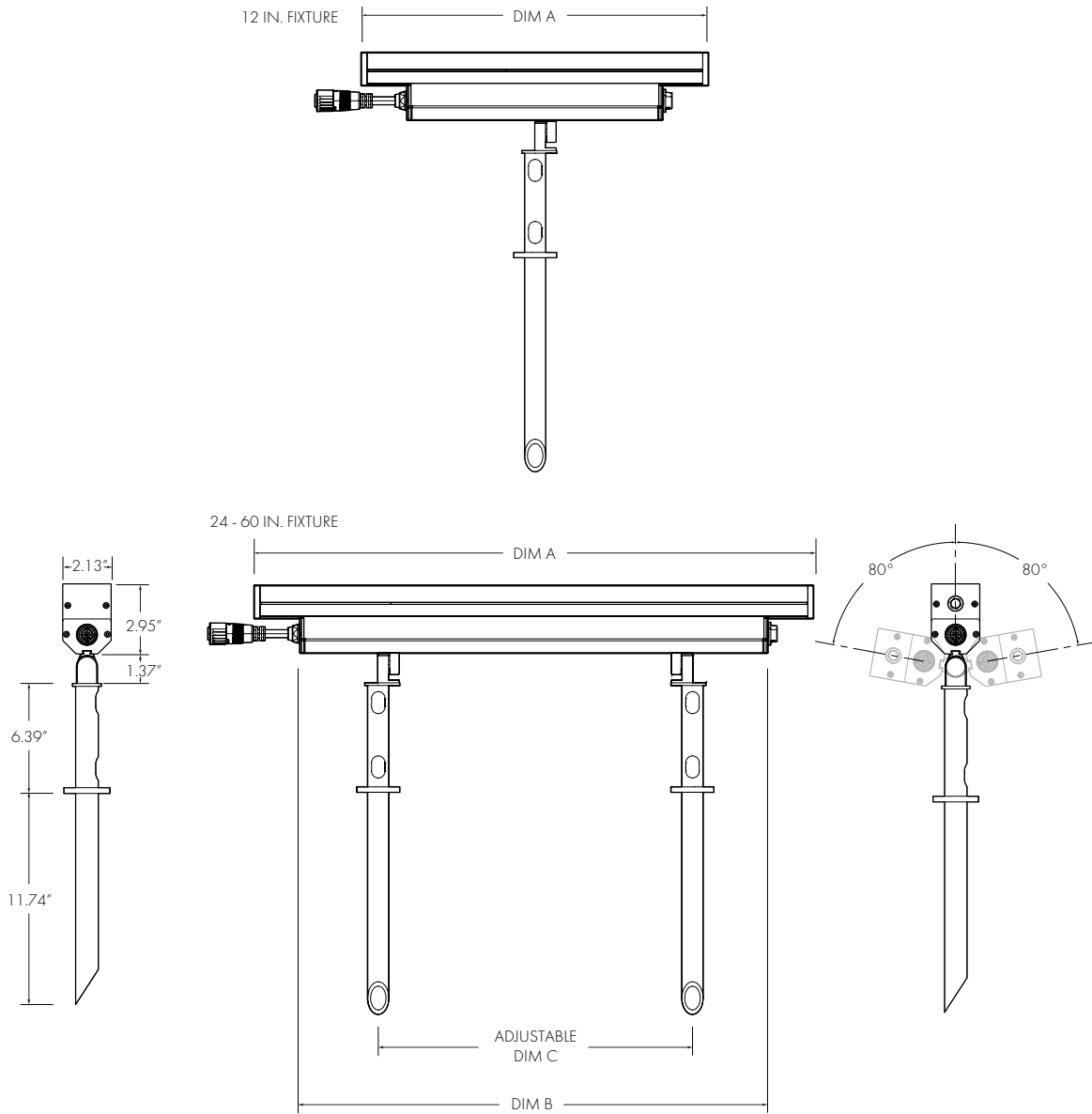


PROJECT: _____ TYPE: _____ FIXTURE CATALOG #: AP - - - - -

DIMENSIONS

DIMENSION	12.00"	24.00"	36.00"	48.00"	60.00"
DIM A	12.56"	24.37"	36.18"	48.00"	59.81"
DIM B	8.60"	20.24"	32.06"		55.68"
DIM C	NA	6.00" MIN 12.00" MAX	12.00" MIN 24.00" MAX	18.00" MIN 30.00" MAX	24.00" MIN 36.00" MAX

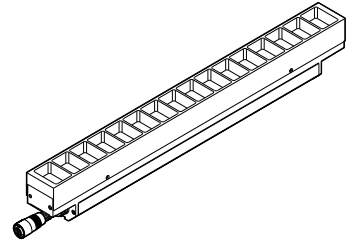
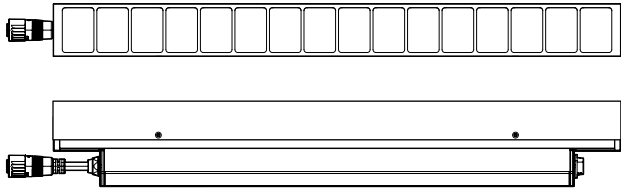
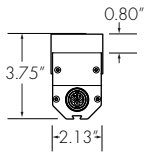
STAKE MOUNT (SA28110-1/SA28110)



PROJECT: _____ TYPE: _____ FIXTURE CATALOG #: AP - - - - -

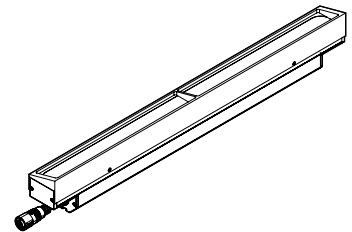
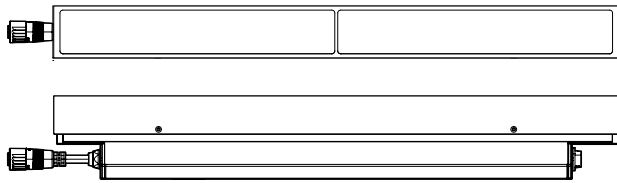
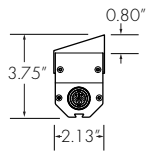
SHIELDING ACCESSORIES

LOUVER (SA28111-X)

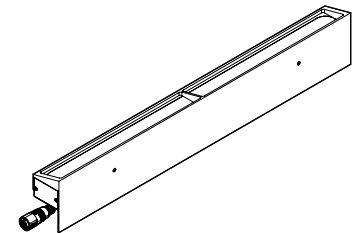
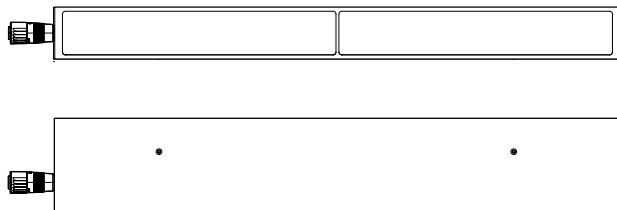
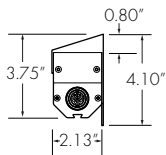


18% LIGHT LOSS FACTOR WITH LOUVER

VISOR (SA28112-x)



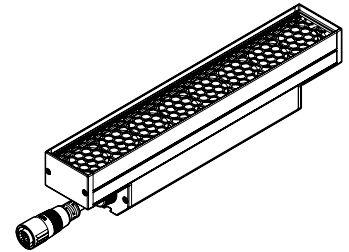
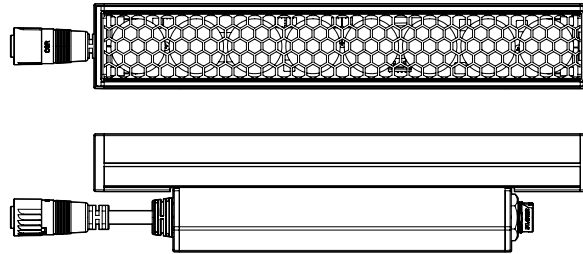
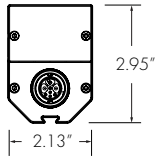
SHIELD (SA28113-x)



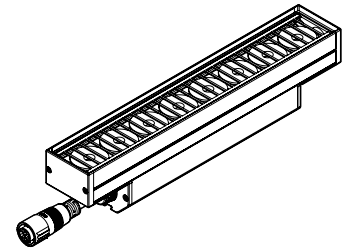
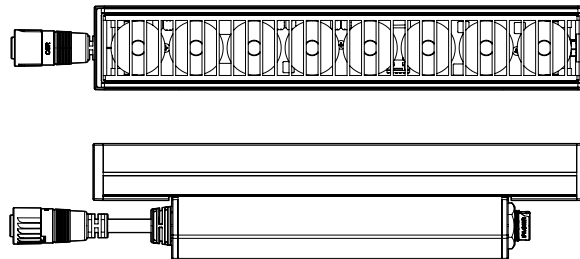
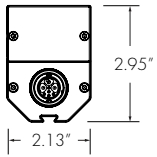
PROJECT: _____ TYPE: _____ FIXTURE CATALOG #: AP - - - - -

SHIELDING ACCESSORIES

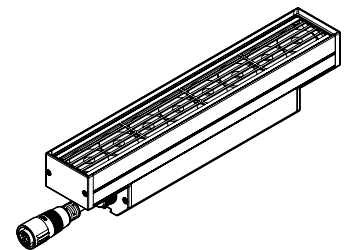
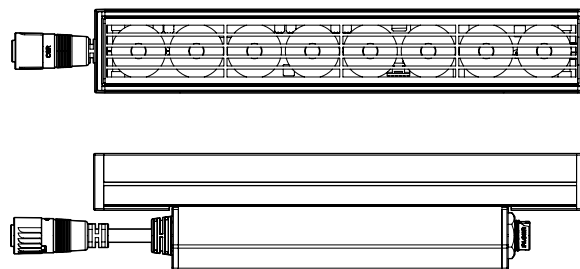
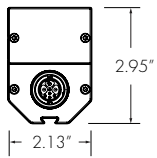
INTERNAL HONEYCOMB LOUVER (IHL)



INTERNAL VERTICAL LOUVER (IVL)



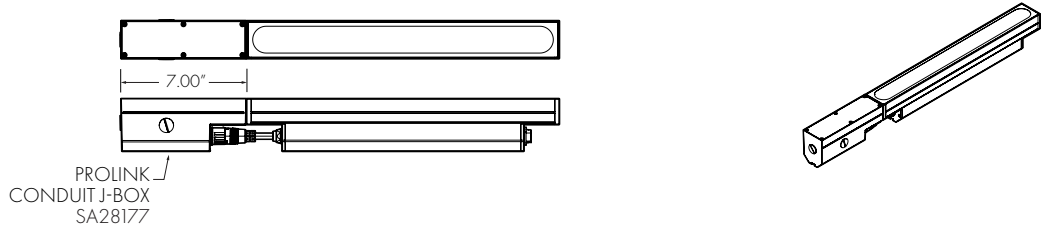
INTERNAL HORIZONTAL LOUVER (ILL)



PROJECT: _____ TYPE: _____ FIXTURE CATALOG #: AP - - - - -

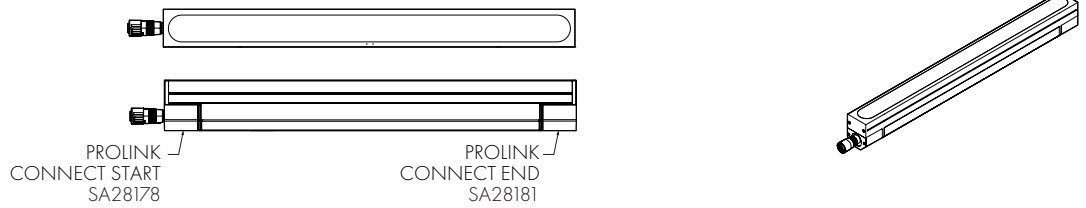
PROLINK TECHNOLOGY

PROLINK CONDUIT BOX

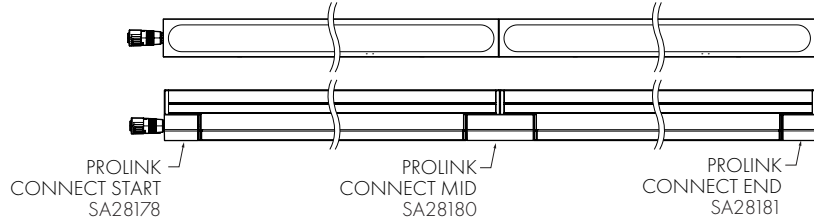


PROLINK CONNECT - WIRE COVER

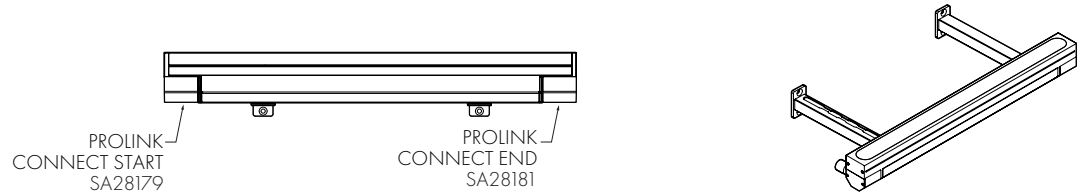
SINGLE FIXTURE



CONTINUOUS RUN

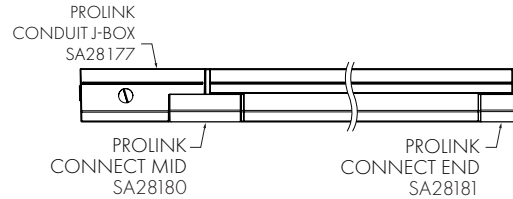


EXTENDED ARM
WALL MOUNT

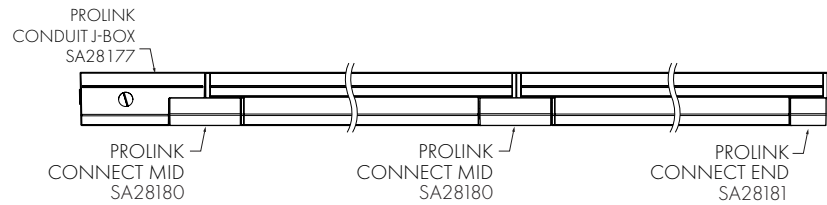


EXAMPLE OF PROLINK CONDUIT BOX AND CONNECT

SINGLE FIXTURE



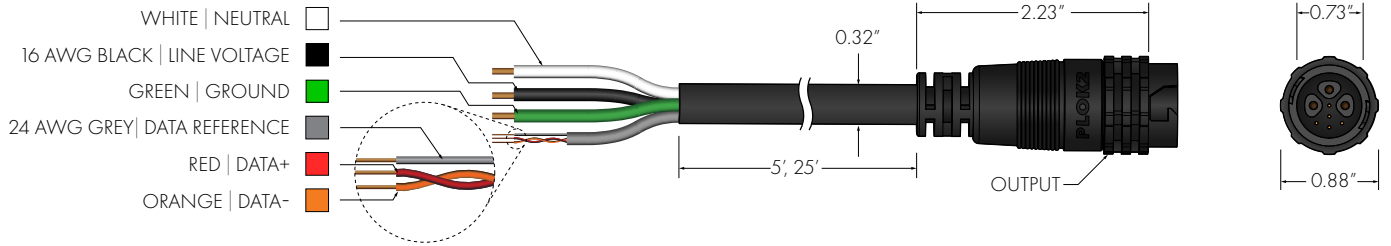
CONTINUOUS RUN



PROJECT: _____ TYPE: _____ FIXTURE CATALOG #: AP - - - - -

CABLES

LEADER (EL12430-X-X) BLACK | 3x16AWG | 3x24AWG | 105°C | 600V | IP67



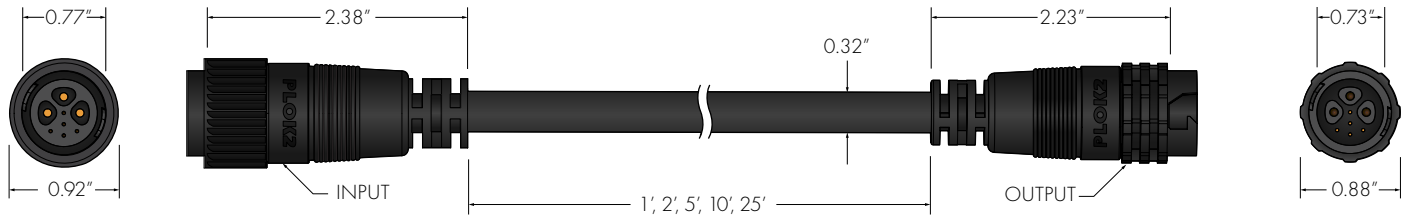
LEADER CABLES - REQUIRED

5.0 FT LEADER CABLE, BLACK	EL12430-5-B
10.0 FT LEADER CABLE, BLACK	EL12430-10-B

LEADER CABLES - REQUIRED

5.0 FT LEADER CABLE, WHITE	EL12430-5-W
10.0 FT LEADER CABLE, WHITE	EL12430-10-W

JUMPER (EL12288-X-X) BLACK | 3x16AWG | 3x24AWG | 105°C | 600V | IP67



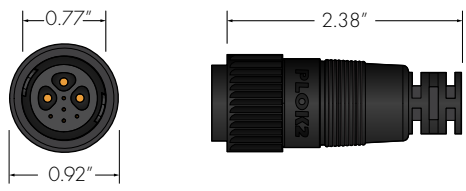
EXTERIOR JUMPER CABLES FOR PLUG AND PLAY SYSTEMS - OPTIONAL

1.0 FT JUMPER CABLE, BLACK	EL12288-1-B
2.0 FT JUMPER CABLE, BLACK	EL12288-2-B
5.0 FT JUMPER CABLE, BLACK	EL12288-5-B
10.0 FT JUMPER CABLE, BLACK	EL12288-10-B
25.0 FT JUMPER CABLE, BLACK	EL12288-25-B

EXTERIOR JUMPER CABLES FOR PLUG AND PLAY SYSTEMS - OPTIONAL

1.0 FT JUMPER CABLE, WHITE	EL12288-1-W
2.0 FT JUMPER CABLE, WHITE	EL12288-2-W
5.0 FT JUMPER CABLE, WHITE	EL12288-5-W
10.0 FT JUMPER CABLE, WHITE	EL12288-10-W
25.0 FT JUMPER CABLE, WHITE	EL12288-25-W

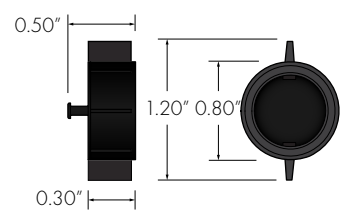
DMX TERMINATOR (EL12291-X) BLACK | 105°C | 600V



DMX TERMINATOR - ONE REQUIRED PER DMX RUN

DMX TERMINATOR, BLACK	EL12291-B
DMX TERMINATOR, WHITE	EL12291-W

AC CAP (EL11900-X) BLACK | 105°C | 600V | IP67



AC CONNECTOR CAP - REQUIRED FOR NO DIMMING/0-10V DIMMING

CONNECTOR CAP, BLACK	EL11900-B
CONNECTOR CAP, WHITE	EL11900-W

PROJECT: _____ TYPE: _____ CAT. #: PEX - - - - -

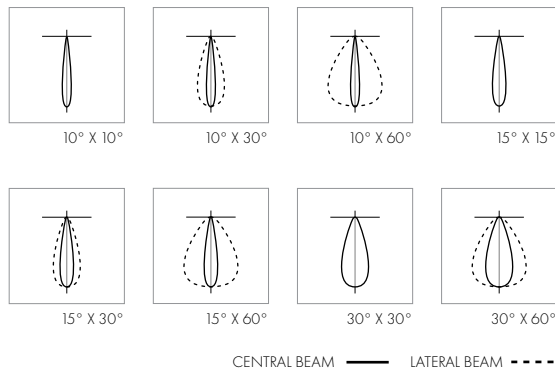
PROFILE

LIGHT SOURCE	4.0 W/FT, 7.0 W/FT, 10.0 W/FT
CCT	2200K, 2700K, 3000K, 3500K, 4000K, STATIC COLORS
CRI	82 CRI (90+ OPTION)
PERFORMANCE	UP TO 48038 PEAK CANDELA
VOLTAGE	LINE, 120V OR 277V
POWER	INTEGRATED POWER SUPPLY
DIMMING	FLICKER FREE DIMMABLE TO 1%. 0-10V, (SINK) DMX DIMMING, DALI
DIMENSIONS	2.50" X 1.75" X 12.00" OR 2.50" X 1.75" X 48.00"
WEIGHT	12.00": 1.65 LBS, 48.00": 6 LBS
HOUSING	EXTRUDED ALUMINUM HOUSING
LENS	TEMPERED GLASS
FINISH	METALLIC GRAY, CUSTOM
WARRANTY	5-YEAR LIMITED
OPERATING TEMP	-40° C TO 50° C
LUMEN MAINTENANCE	75,000 HOURS
CERTIFICATION	ETL AND cETL FOR WET LOCATION, IP67, 3G SUITABLE FOR NATATORIUM ENVIRONMENTS

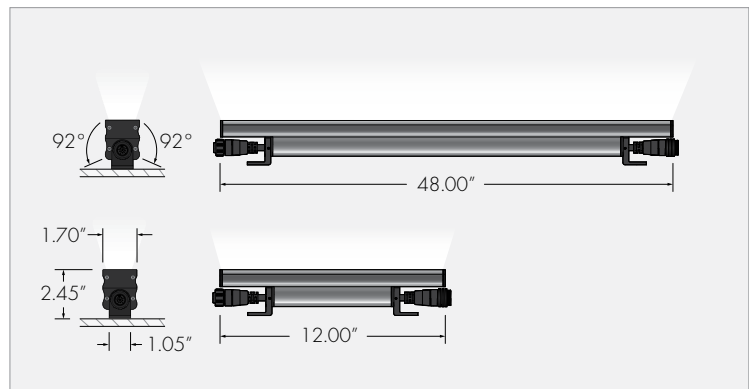


OPTICS

Not all available optics shown



DIMENSIONS



PERFORMANCE SUMMARY

10.0 W/FT, 40K, 48.00"	LUMENS	PEAK CANDELA
10° X 10°	3688 LM	48038
10° X 30°	3410 LM	17591
10° X 60°	3389 LM	13007
15° X 15°	3936 LM	25267
15° X 30°	3596 LM	12226
15° X 60°	3584 LM	9350
30° X 30°	3381 LM	7850

ACCESSORIES / OPTIONS



LOUVER
TO BE INSTALLED IN
THE FIELD

PROJECT:	TYPE:	CAT. #:	PEX - - - - -
----------	-------	---------	---------------

SPECIFICATION

PEX										Separate options with dashes
1	2	3	4	5	6	7	8	9	10	

1 FIXTURE

PILOT EXTERIOR SERIES PEX

2 WATTAGE

LOW OUTPUT LO
4.0 W/FT

MEDIUM OUTPUT MO
7.0 W/FT

HIGH OUTPUT HO
10.0 W/FT

3 CCT

2200K 22K

2700K 27K

3000K 30K

3500K 35K

4000K 40K

RED R

GREEN G

BLUE B

AMBER A

4 OPTICS

10° X 10° 10
10° X 10° optic is intended for a 6.00" fixture setback from the source

10° X 30° 1030

10° X 60° 1060

15° X 15° 15

15° X 30° 1530

15° X 60° 1560

20° X 20° 20

20° X 60° 2060

30° X 30° 30

30° X 60° 3060

40° X 40° 40

40° X 60° 4060

60° X 60° 60

100° X 100° 100

ASYM. GRAZE UPLIGHT, LEFT POWER FEED ASUL

ASYM. GRAZE UPLIGHT, RIGHT POWER FEED ASUR

ASYM. GRAZE DOWNLIGHT, LEFT POWER FEED ASDL

ASYM. GRAZE DOWNLIGHT, RIGHT POWER FEED ASDR

Asym Graze and Wash: [See page 3 for details.](#)

5 MOUNTING

SURFACE SM
Wall, Ceiling, or Ground
3G ANSI 136.31 rated

EXTENDED ARM EXA-X
X = Specify 6", 12" or 18"

STAKE STM

6 LENGTH

12.00" 12

48.00" 48

7 VOLTAGE

120V 120

277V 277

8 CONTROL

0-10V DIMMING (1%) DIM
0-10V dims down to 1% with compatible controls (by others)

DMX DIMMING DMXDM
Default factory setting is DMX System Resolution
Fixtures are not pre-addressed or labeled at the factory. A **DMXCAT** tool is required for on-site fixture resolution and addressing. Must be ordered separately. See control options below.

Fixtures are shipped from the factory with default addressed channel 1
A **CDS/RDM** Distribution Kit is required. Must be ordered separately. See control options below.
DMX controls are required. Must be ordered separately.

DALI DALI
Controls and Dali bus by others.

9 FINISH

METALLIC GRAY MG

CUSTOM COLOR CC
Contact factory for custom color - additional charges will apply

10 OPTIONS

HIGH CRI 90+ HCRI
Available with 27K and 30K

LOUVER LV
Louver ships separate from the fixture and must be installed in the field
Louver is only available with a black finish.

DMX TOOLS AND CABLE OPTIONS

DMX/RDM DISTRIBUTION KIT (REQUIRED FOR DMX DIMMING) PART NUMBER

CDS-RDM - DMX/RDM DISTRIBUTION KIT - IP67 SA27411
Consists of 4 output
Each output is limited to (1) run per output - up to 96 fixtures max

DMX/RDM MONITORING TOOL (REQUIRED FOR DMX DIMMING) PART NUMBER

REMOTE DMX/RDM ADDRESSING & MONITORING TOOL SA27636
Uses Bluetooth LE technology for communication with the smartphone and the DMXcat app (up to a 50' range). Allows for on-site fixture resolution and addressing.

LEADER CABLES PART NUMBER

5.0 FT LEADER CABLE - BLACK LC-5-B

10.0 FT LEADER CABLE - BLACK LC-10-B
A leader cables is required for standard J-box installations
Leaders and jumpers are not rated for direct burial. See local codes for installation.

JUMPER CABLES PART NUMBER

1.0 FT JUMPER CABLE - BLACK EL11898-1-B

2.0 FT JUMPER CABLE - BLACK EL11898-2-B

5.0 FT JUMPER CABLE - BLACK EL11898-5-B

10.0 FT JUMPER CABLE - BLACK EL11898-10-B

25.0 FT JUMPER CABLE - BLACK EL11898-25-B
A jumper cable is required for ProStart Plug & Play Starter with Surge Protection (see below for details)

CONNECTOR CAP PART NUMBER

CONNECTOR CAP - BLACK EL11900-B
Required for No Dimming and 0-10V dimming

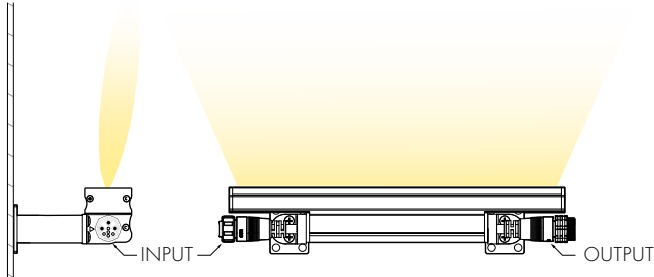
DMX TERMINATOR PART NUMBER

DMX TERMINATOR - BLACK EL11901-B
One required per DMX run

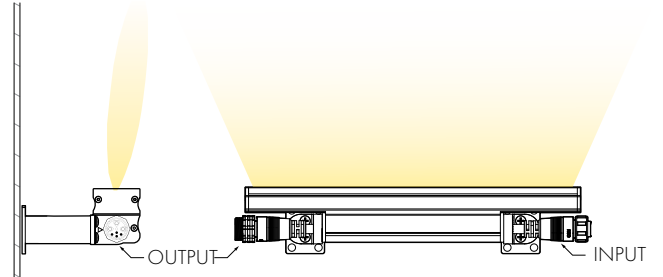
PROJECT: _____ TYPE: _____ CAT. #: PEX - - - - -

ASYMMETRIC DISTRIBUTIONS/LIGHT DIRECTION /FEED LOCATIONS

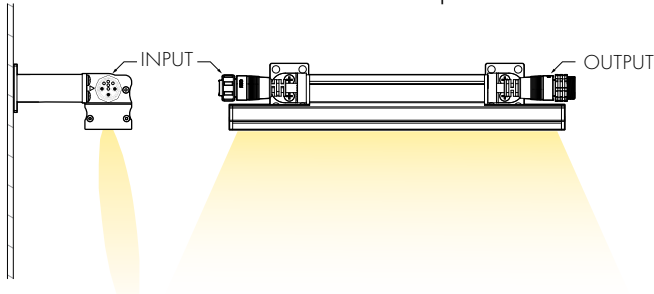
ASYMMETRIC GRAZE UPLIGHT | LEFT POWER FEED



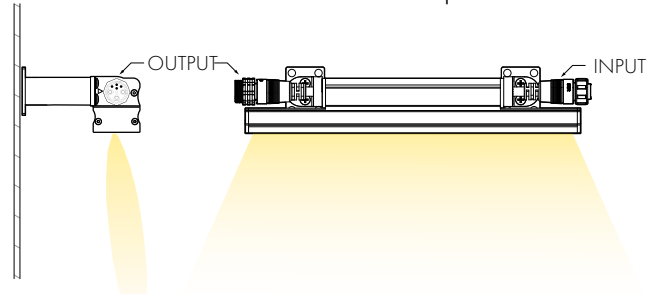
ASYMMETRIC GRAZE UPLIGHT | RIGHT POWER FEED



ASYMMETRIC GRAZE DOWNLIGHT | LEFT POWER FEED




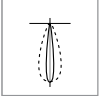
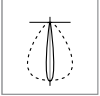
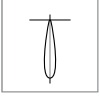
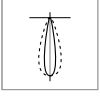
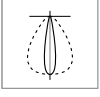
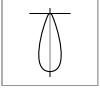
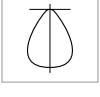
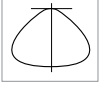
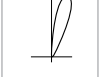
ASYMMETRIC GRAZE DOWNLIGHT | RIGHT POWER FEED



PROJECT:	TYPE:	CAT. #: PEX - - - - -
----------	-------	-----------------------

PERFORMANCE

*All data uses a 48" fixture at 4000K

OPTIC	LOW OUTPUT (4.0 W/FT)			MEDIUM OUTPUT (7.0 W/FT)			HIGH OUTPUT (10.0 W/FT)		
	DELIVERED LUMENS	LUMINAIRE EFFICACY	PEAK CANDELA	DELIVERED LUMENS	LUMINAIRE EFFICACY	PEAK CANDELA	DELIVERED LUMENS	LUMINAIRE EFFICACY	PEAK CANDELA
10° X 10° 	1475 LM	83.0 LM/W	19215	2582 LM	88.0 LM/W	33627	3688 LM	83.0 LM/W	48038
10° X 30° 	1364 LM	76.0 LM/W	7036	2387 LM	76.0 LM/W	12314	3410 LM	76.0 LM/W	17591
10° X 60° 	1356 LM	75.8 LM/W	5203	2372 LM	75.8 LM/W	9105	3389 LM	75.8 LM/W	13007
15° X 15° 	1574 LM	96.0 LM/W	10107	2755 LM	96.0 LM/W	17687	3936 LM	96.0 LM/W	25267
15° X 30° 	1438 LM	87.0 LM/W	4890	2517 LM	87.0 LM/W	8558	3596 LM	87.0 LM/W	12226
15° X 60° 	1434 LM	87.0 LM/W	3740	2509 LM	87.0 LM/W	6545	3584 LM	87.0 LM/W	9350
30° X 30° 	1352 LM	77.0 LM/W	3140	2367 LM	77.0 LM/W	5495	3381 LM	77.0 LM/W	7850
60° X 60° 	1356 LM	76.0 LM/W	5198	2373 LM	76.0 LM/W	9097	3390 LM	76.0 LM/W	12996
100° X 100° 	962 LM	54.0 LM/W	479	1684 LM	54.0 LM/W	838	2405 LM	82.3 LM/W	12262
ASYMMETRIC 	1363 LM	82.3 LM/W	4905	2386 LM	82.3 LM/W	8583	3408 LM	76.0 LM/W	12996

PROJECT: _____ TYPE: _____ CAT. #: PEX - - - - -

MAXIMUM RUN LENGTH IN FEET AND MAXIMUM FIXTURES PER RUN

VOLTAGE	NOMINAL WATTAGE					
	LOW OUTPUT (4.0W/FT)		MEDIUM OUTPUT (7.0W/FT)		HIGH OUTPUT (10.0W/FT)	
	0-10V MAXIMUM RUN LENGTH PER LEADER CABLE	DMX DIMMING MAXIMUM FIXTURES PER LEADER CABLE	0-10V MAXIMUM RUN LENGTH PER LEADER CABLE	DMX DIMMING MAXIMUM FIXTURES PER LEADER CABLE	0-10V MAXIMUM RUN LENGTH PER LEADER CABLE	DMX DIMMING MAXIMUM FIXTURES PER LEADER CABLE
120VAC	300 FEET	32 FIXTURES	170 FEET	32 FIXTURES	120 FEET	32 FIXTURES NOT TO EXCEED 1200 WATTS
277VAC	300 FEET	32 FIXTURES	170 FEET	32 FIXTURES	120 FEET	32 FIXTURES NOT TO EXCEED 1200 WATTS

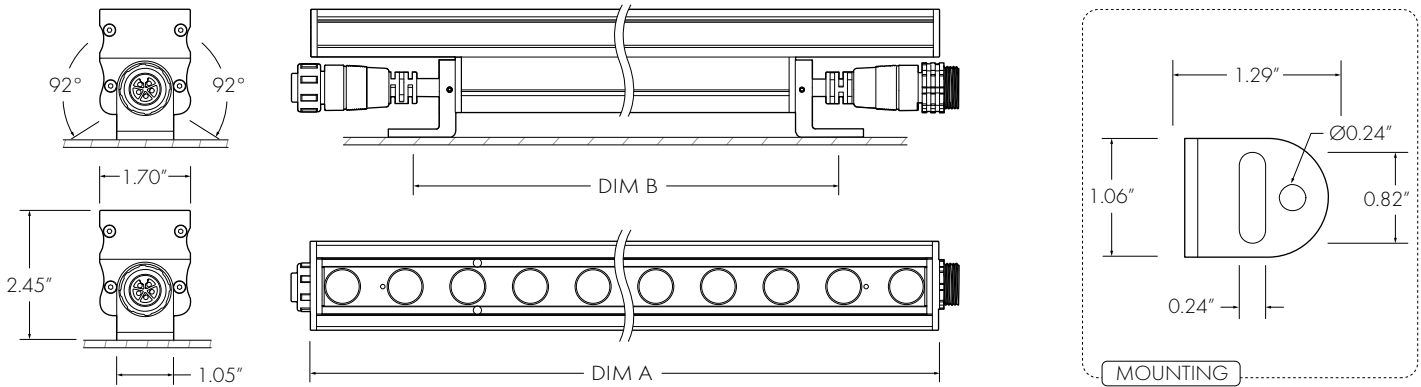
PROJECT:	TYPE:	CAT. #: PEX - - - - -
----------	-------	-----------------------

DIMENSIONS

DIMENSION	12.00"	48.00"
DIM A	12.00"	48.00"
DIM B	8.88"	32.82"

SM - SURFACE MOUNT

*Applicable in both up & down applications

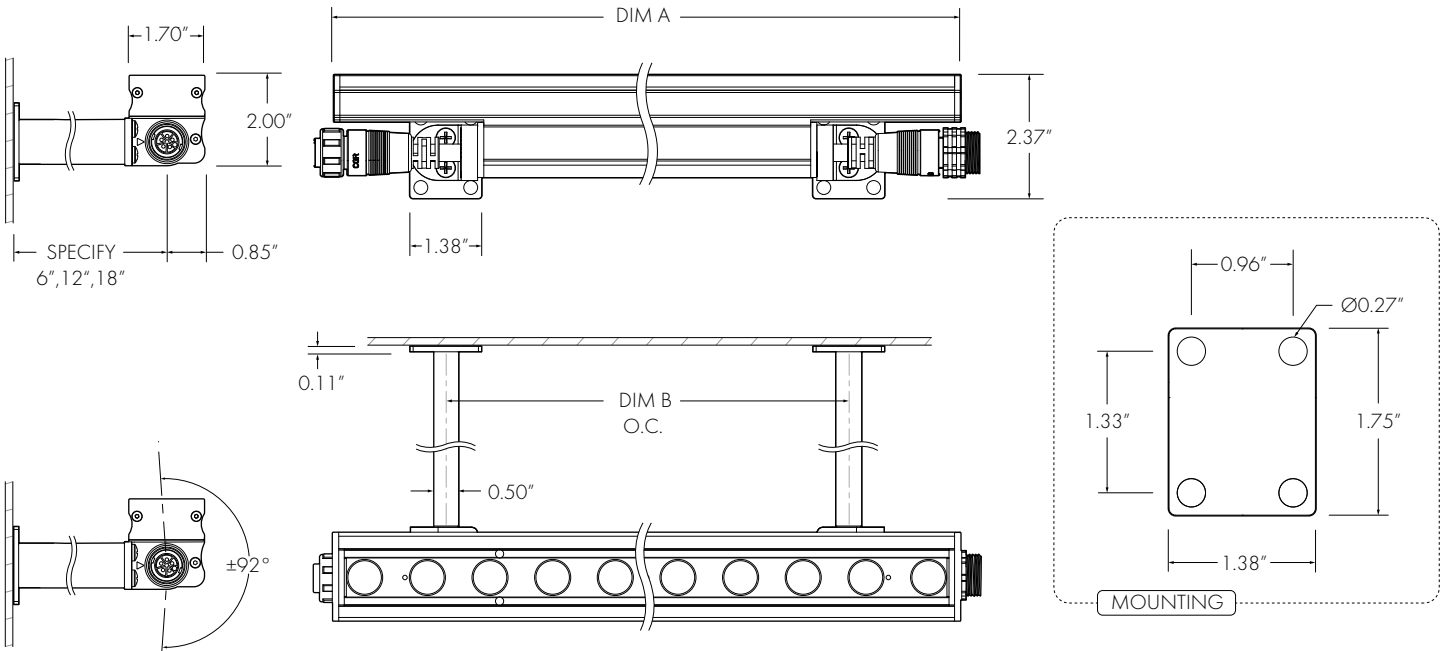


PROJECT:	TYPE:	CAT. #: PEX - - - - -
----------	-------	-----------------------

DIMENSIONS

DIMENSION	12.00"	48.00"
DIM A	12.00"	48.00"
DIM B	7.71"	31.90"

EXA - EXTENDED ARM MOUNT *Applicable in both up & down applications

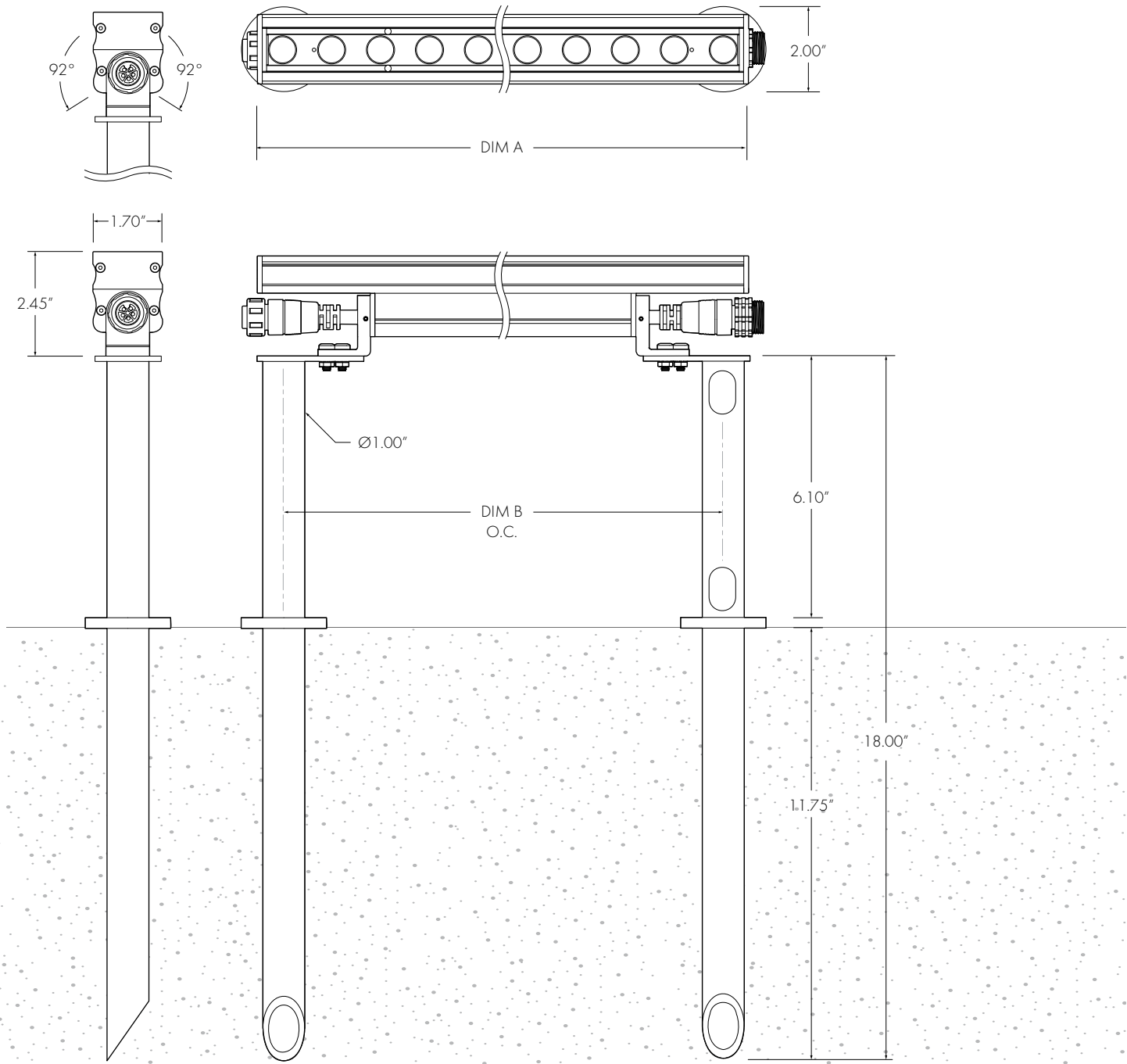


PROJECT:	TYPE:	CAT. #: PEX - - - - -
----------	-------	-----------------------

DIMENSIONS

DIMENSION	12.00"	48.00"
DIM A	12.00"	48.00"
DIM B	11.26"	40.50"

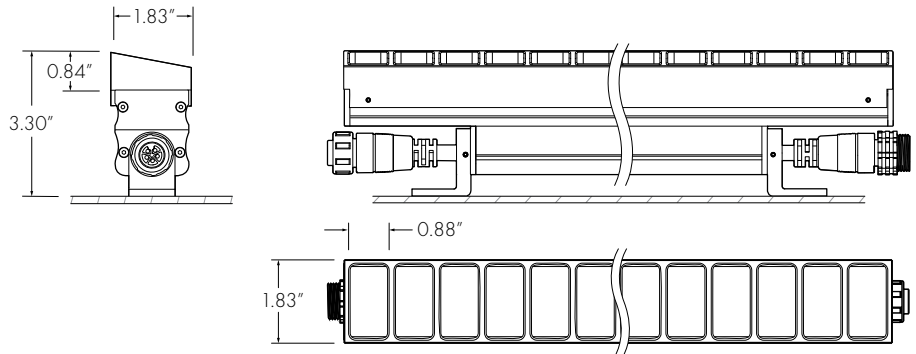
STM - STAKE MOUNT



PROJECT: _____ TYPE: _____ CAT. #: PEX - - - - -

LOUVER - LV

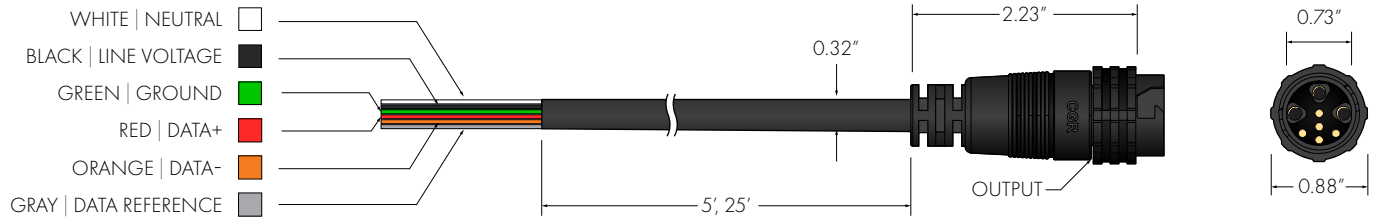
*Louver ships separate from the fixture and must be installed in the field



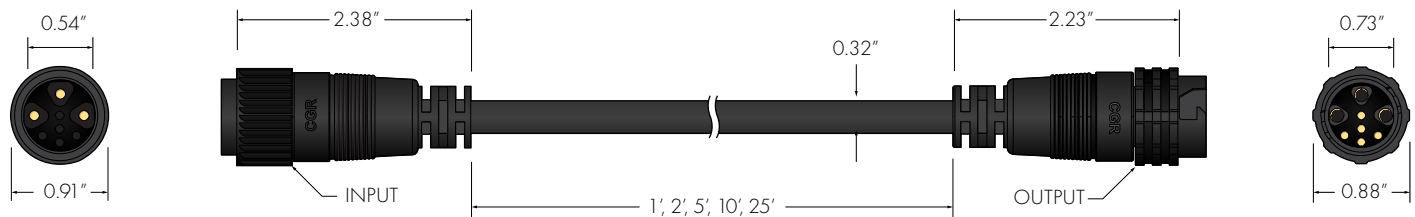
PROJECT: _____ TYPE: _____ CAT. #: PEX - - - - -

CABLES

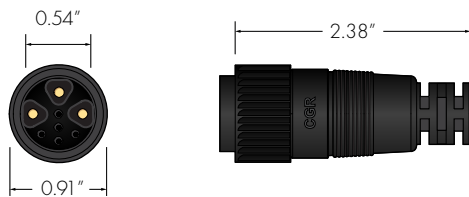
LEADER (LC-X) WHITE/BLACK | 3x16AWG | 3X20AWG | 105°C | 300V | IP67



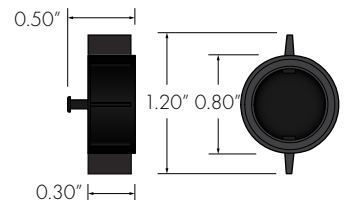
JUMPER (JC-X) WHITE/BLACK | 3x16AWG | 3X20AWG | 105°C | 300V | IP67



AC TERMINATOR WHITE/BLACK | 105°C | 300V



AC CAP WHITE/BLACK | 105°C | 300V | IP67



Warning: Cables not rated for direct burial. See local codes for installation.