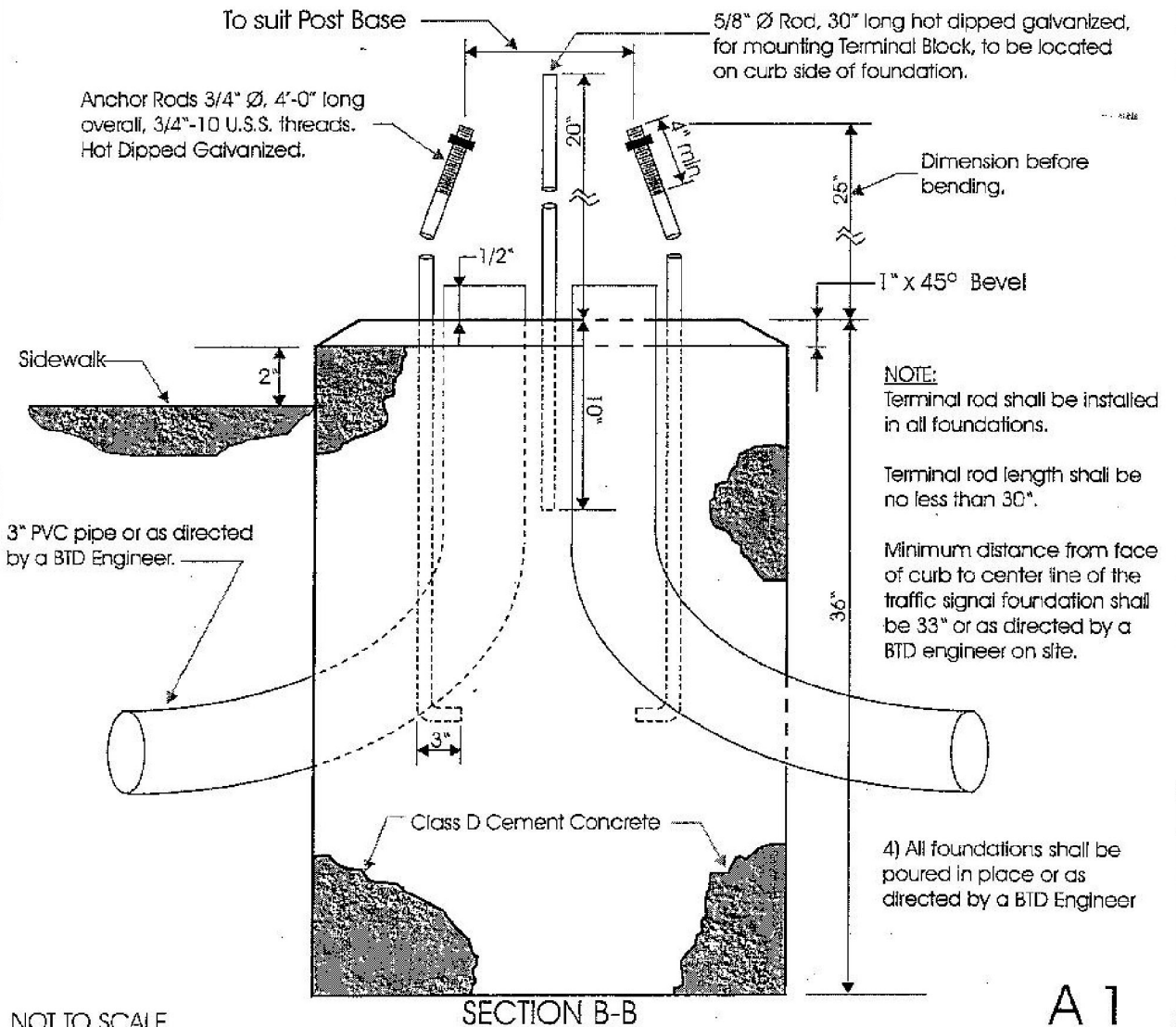
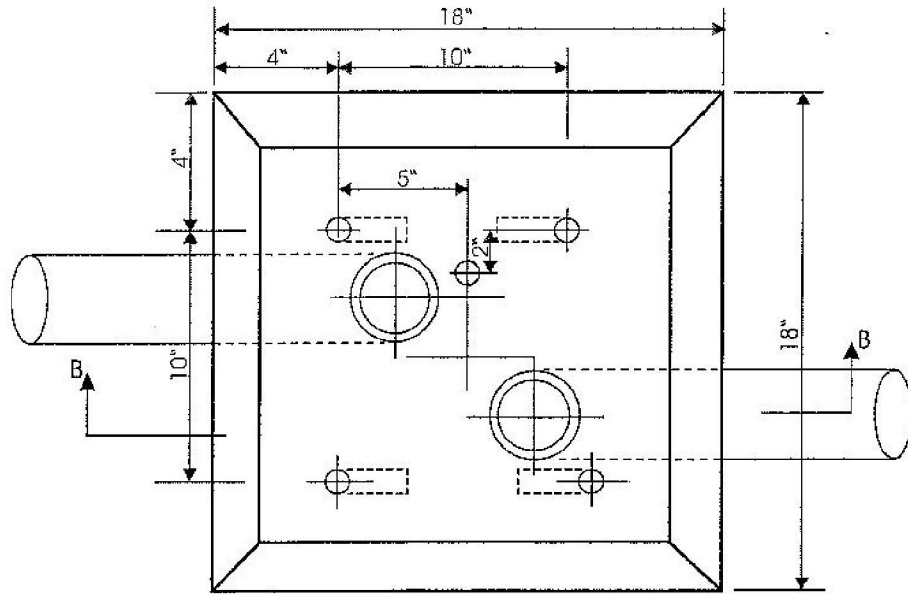


CONCRETE TRAFFIC SIGNAL FOUNDATION



2-17-81 REV. 3-10-98: 10-31-02

NOT TO SCALE

A 1