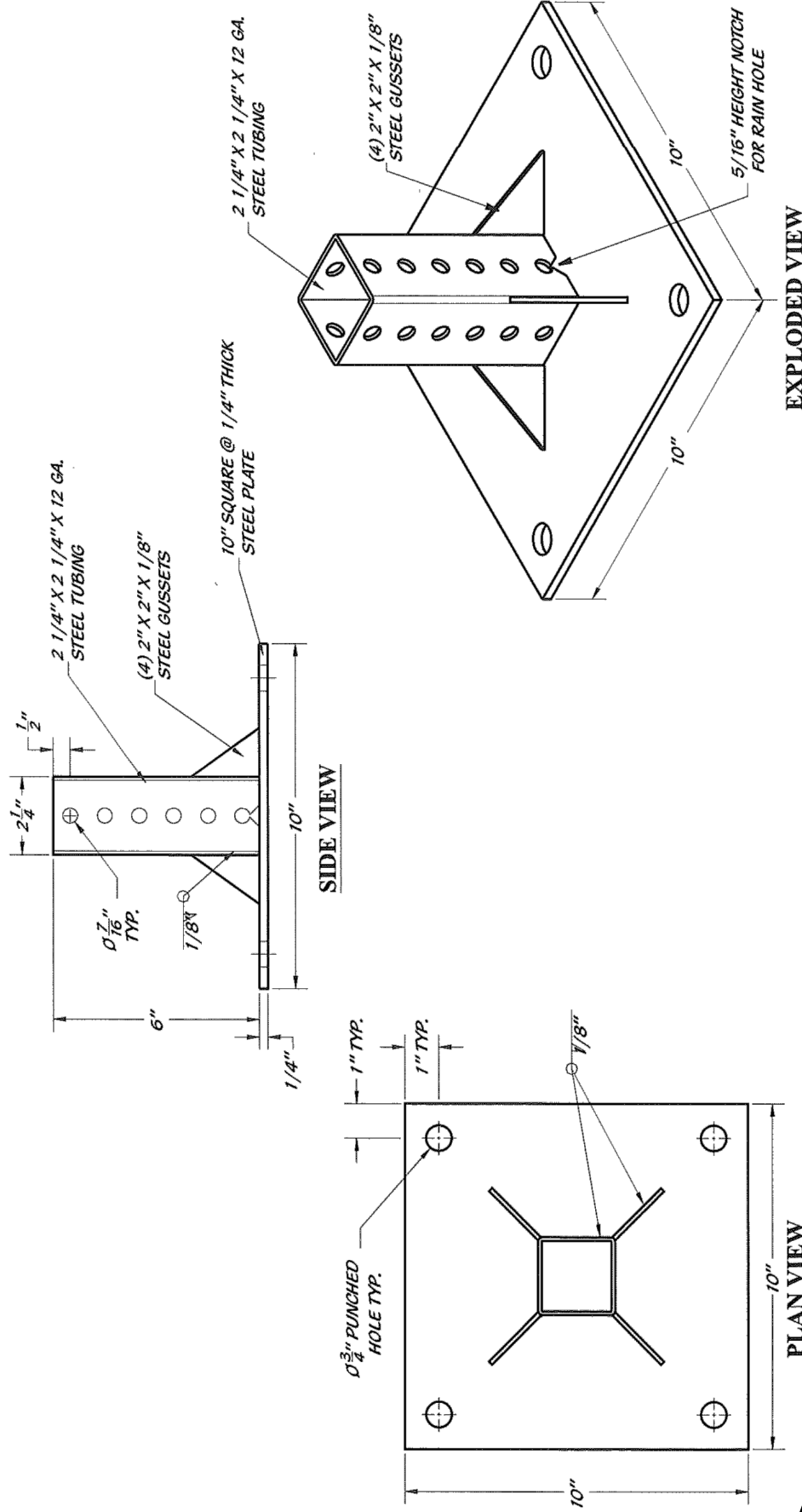


UJM-SMBL SURFACE MOUNT BASE FOR 2" SQUARE POST

ID #	DESCRIPTION	QTY. PER	QTY. TOTAL
1	10" X 10" X 1/4" THICK H/R STEEL PLATE	1	
2	2" X 2" X 1/8" THICK TRIANGULAR STEEL GUSSETS	4	
3	2 1/4" X 2 1/4" X 12 GA. PERFORATED STEEL TUBING @ 6" LONG	1	



DATE: FEB. 28, 2015

A205