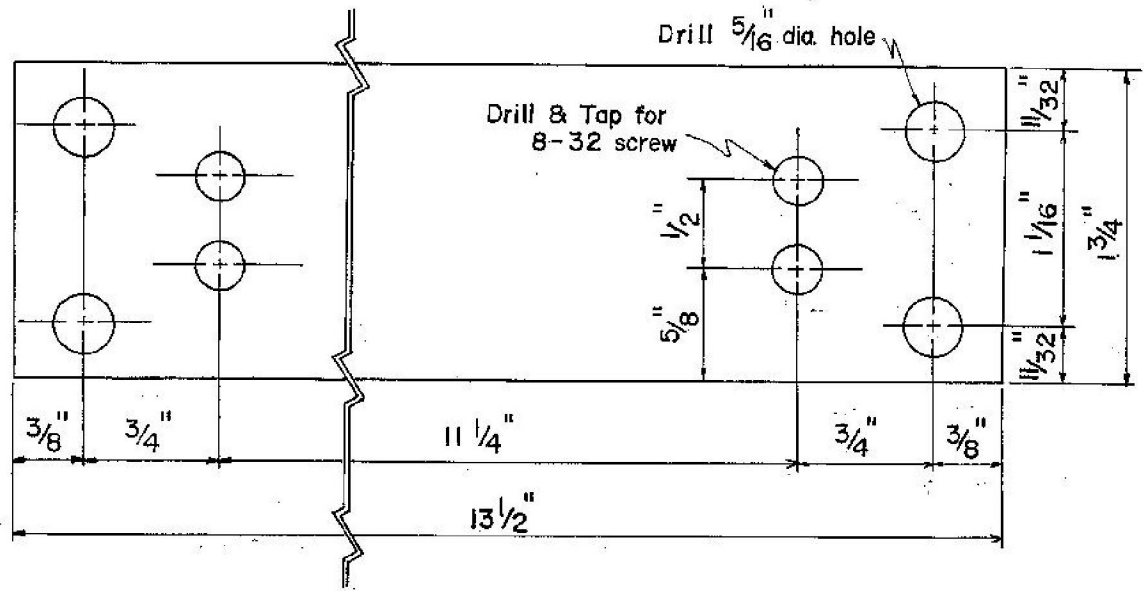
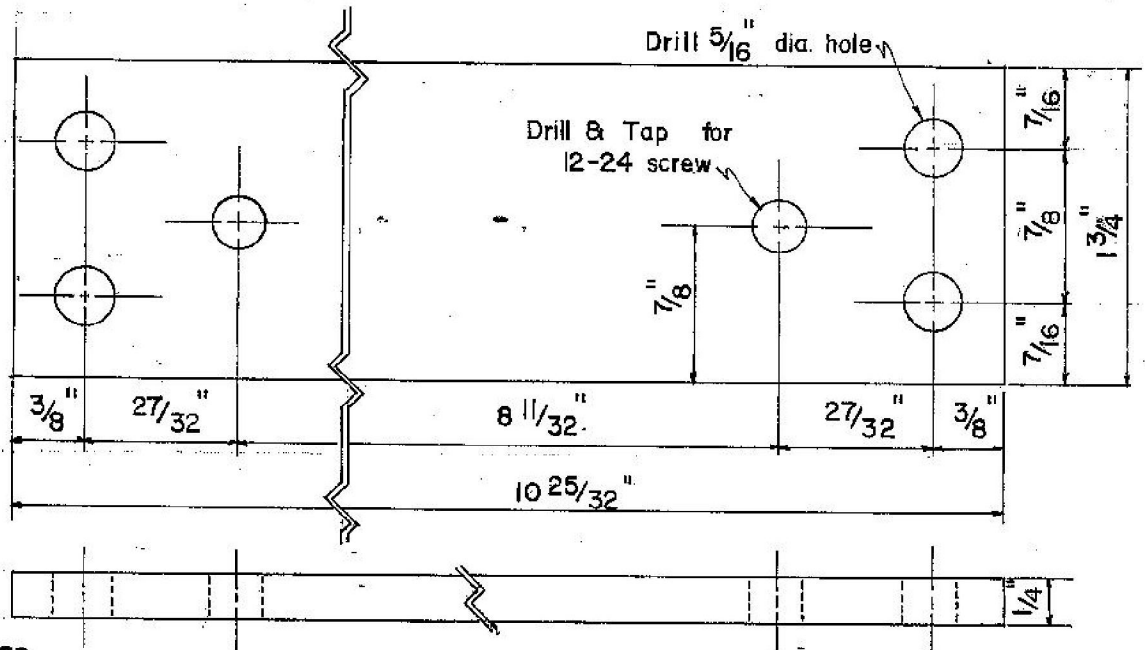


BACK PLATE FOR TERMINAL BLOCK

19 WIRE TERMINAL BLOCK



12 WIRE TERMINAL BLOCK



NOTES:

1. Material to be steel.
2. Block to be painted in accordance with Section 800 Subsection 815.61 of the Commonwealth of Massachusetts Standard Specifications for Highways and Bridges.

Date: Aug. 23, 1971 Revised: March 2, 1990

A25

Scale: Full Size