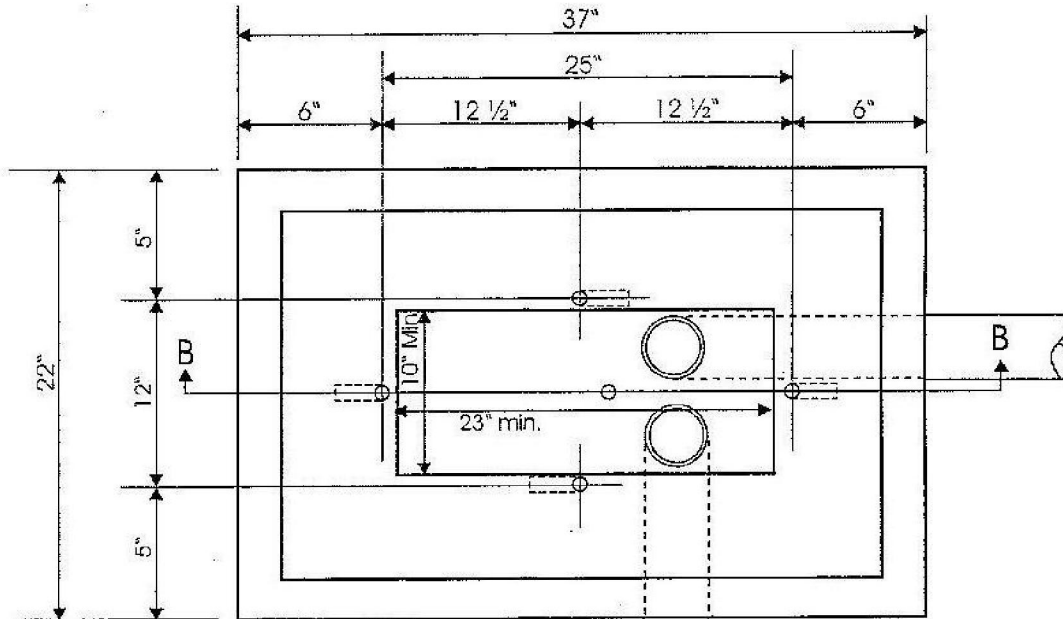
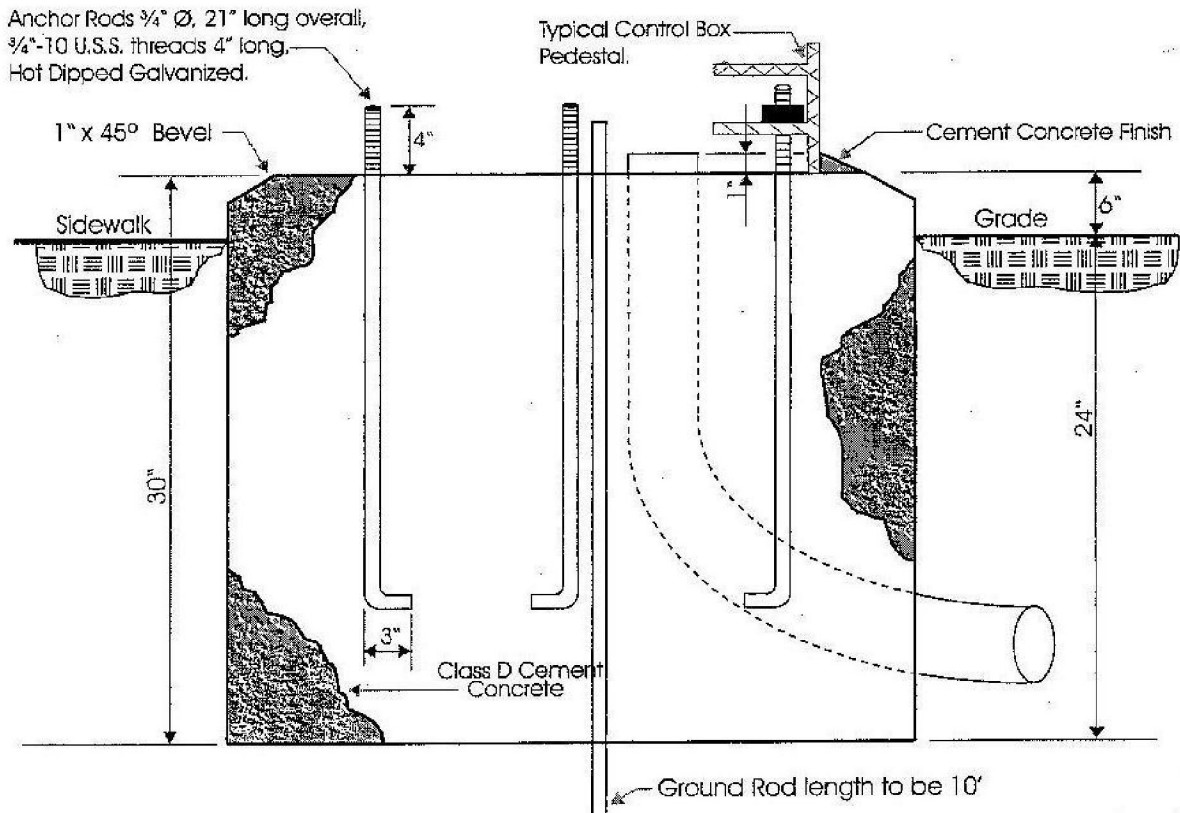


CONCRETE CONTROL BOX FOUNDATION FOR TYPE CA & CB CABINETS



NOTE:
Control cabinet shall have an unobstructed inside opening as shown.

NOTE:
Minimum distance from face of curb to center line of control box foundation to be 36".



3-21-89 REV. 3-20-98: 10-31-02

NOT TO SCALE

SECTION B-B

A3.1